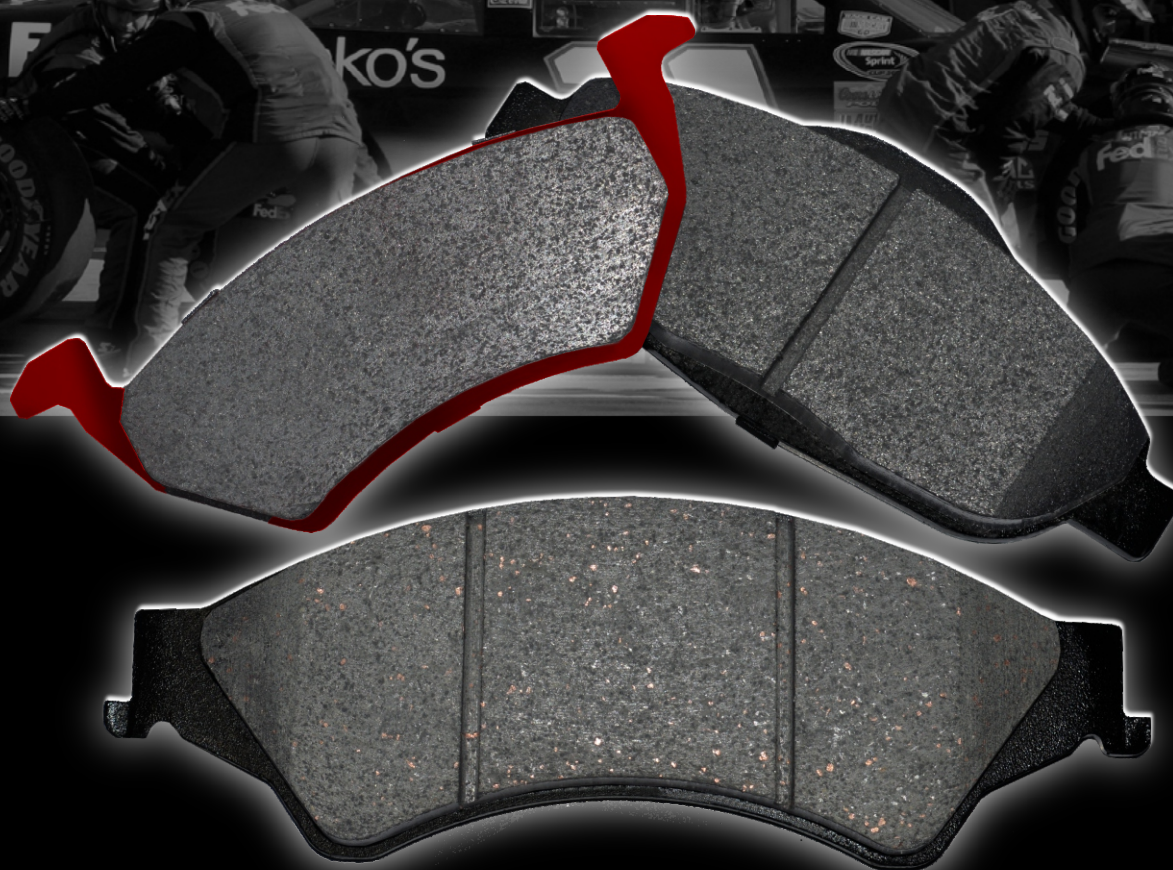




Raybestos[®]

The *best* in brakes[®]



Catálogo de Aplicaciones

Applications Catalogue

Pastillas para Freno / Brake Pads

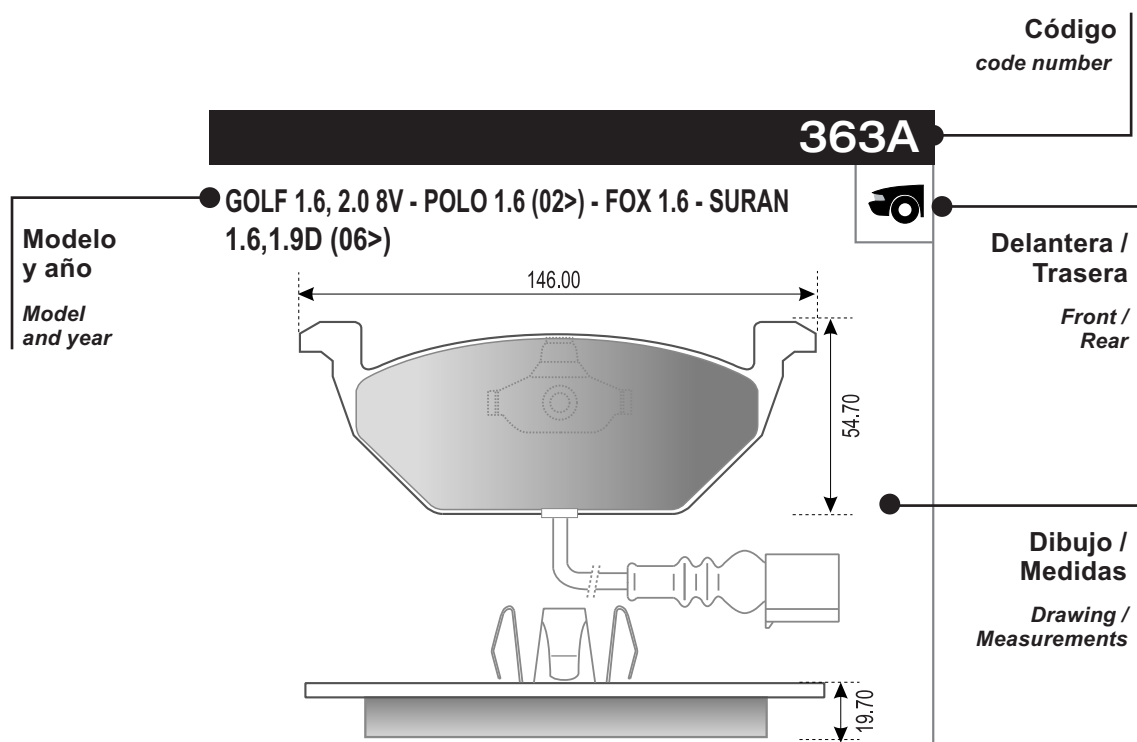
2016

plabesto[®]

FRENOS

Pastillas para Freno / Brake Pads

Modo de uso del Catálogo / How to Use this Catalogue



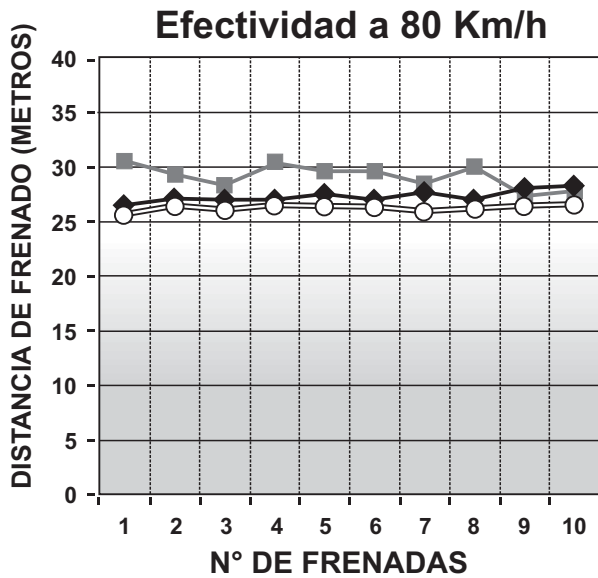
Compuestos / Compound

- **Plasbestos compuesto orgánico**
Plasbestos organic compound
- **Raybestos PG Plus compuesto semimetálico**
Raybestos PG Plus semi-metallic compound
- **Raybestos compuesto cerámico**
Raybestos Ceramic compound

Listado de equivalencias / List of Reference Codes

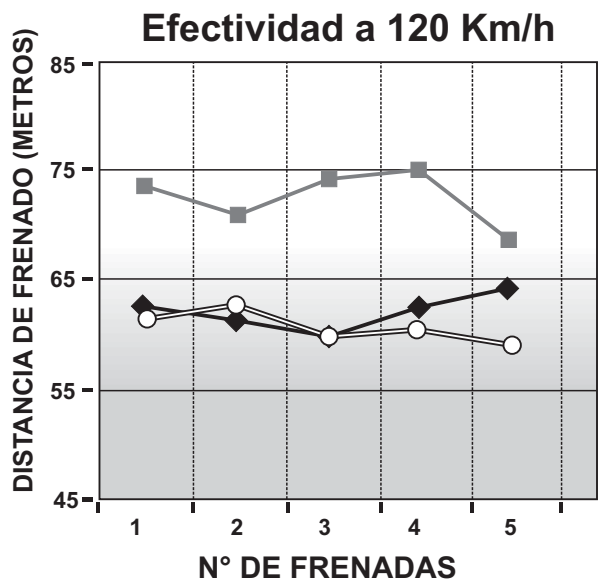
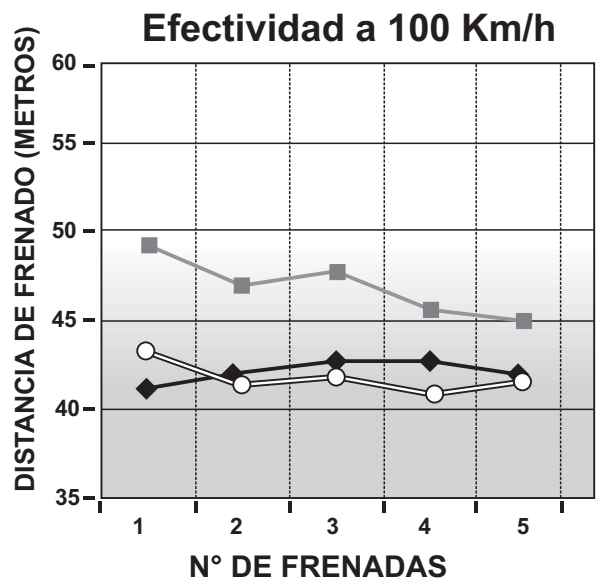
A modo de consulta, al finalizar el catálogo, encontrará una tabla de equivalencias que detalla la correspondencia de nuestros códigos con otras referencias del mercado.

You will find a list of reference codes at the end of this catalogue, which shows the equivalence between our codes and other market references.



Comparativo con pastillas de equipo original.

- Raybestos Cerámicas
- ◆ Raybestos Semi-Metálicas
- Equipo Original



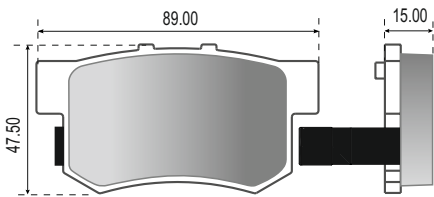
Indice General /General Index

<i>Acura</i>	1
<i>Agrale</i>	1
<i>Alfa Romeo</i>	1-2
<i>Audi</i>	2-3
<i>BPW</i>	3
<i>Buick</i>	4
<i>Cadillac</i>	4
<i>Chery</i>	4
<i>Chrysler</i>	5-6
<i>Citroën</i>	6-9
<i>Clark</i>	9
<i>Dacia</i>	9
<i>Daewoo</i>	9-10
<i>Daf</i>	10
<i>Deutz</i>	10
<i>Dina</i>	10
<i>Fiat</i>	10-15
<i>Ford</i>	15-20
<i>General Motors</i>	20-25
<i>Gurgel</i>	25
<i>Honda</i>	25-26
<i>Hummer</i>	26
<i>Hyundai</i>	27
<i>Isuzu</i>	28
<i>Iveco</i>	28
<i>Jac</i>	28
<i>Jaguar</i>	29
<i>Kia</i>	29-30
<i>Lada</i>	30
<i>Lincoln</i>	30
<i>Man</i>	31
<i>Marco Polo</i>	31
<i>Mazda</i>	31-32
<i>Mercedes Benz</i>	32-34
<i>Mercury</i>	34
<i>Mitsubishi</i>	34
<i>Nissan</i>	34-35
<i>Peugeot</i>	36-39
<i>Pontiac</i>	39
<i>Proton</i>	40
<i>Puma</i>	40
<i>Renault</i>	40-44
<i>Rover</i>	44
<i>Saf</i>	44-45
<i>Saturn</i>	45
<i>Scania</i>	45
<i>Seat</i>	45-46
<i>Ssangyong</i>	46
<i>Subaru</i>	47
<i>Suzuki</i>	47
<i>Toyota</i>	47-50
<i>Volkswagen</i>	50-54
<i>Volvo</i>	55

D536

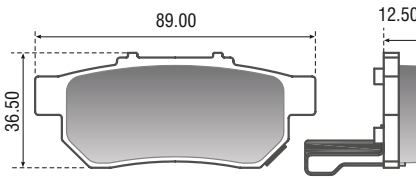
314

RDX (07>12) - RL (96>04) - TL (99>08) - CL (01>03) -
LEGEND (91>95)
Sistema: AK



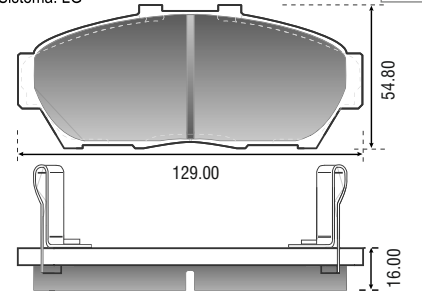
523

INTEGRA 1.6, 1.8 (94>01)
Sistema: AK



D617

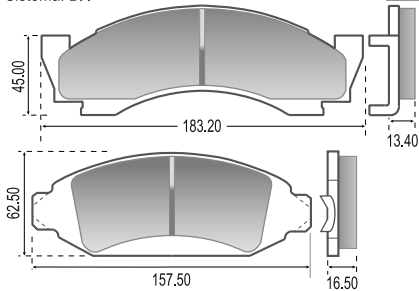
INTEGRA (94>01)
Sistema: LG



D50

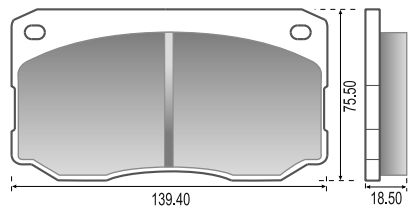
042

1600 D 4x4 (85>89)
Sistema: BX



068

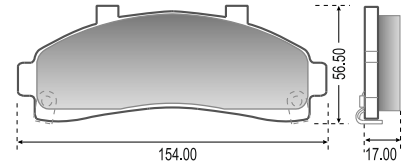
FURGONVAN (99>) - MA 6.0 CHASSIS
CARRO FORTE - 1600D - 1800D (90>94) -
4500D (94>97) - 5000D (94>98) - 6000 (99>)
Sistema: Varga



D652

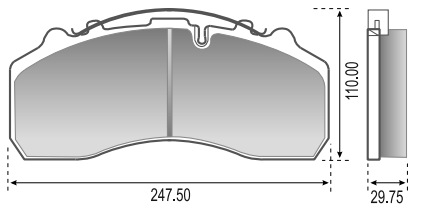
115

MARRUA AM 20/50/100/100 CC/100CD/100
CD CC/150/150 CC/150 CD/150 CD
CC/200/200 CC/200 CD/200 CD CC (08>)
Sistema: Bosch



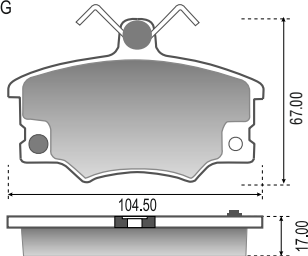
458

MT 15.0 / MT 17.0 / MT 12.0 (13>)
Sistema: Knorr



044

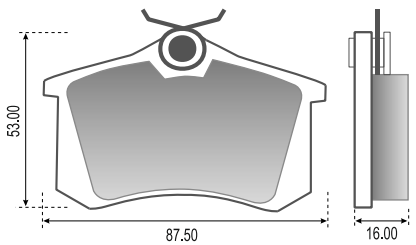
145 1.3, 1.4, 1.6, 1.7 16V, 1.9TD, 2.0TD (94>97)
146 1.3, 1.4, 1.6, 1.7 16V, 1.9TD, 2.0TD (92>99)
155 1.7, 1.8, 2.0, 2.0TD, 2.5TD, 2.5 V6 (94>99)
Sistema: LG



D340

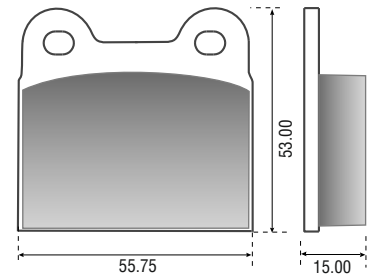
058

145 - 146 - 155 2.0TD, 2.5TD - 164 2.0, 2.5TD,
2.0TD (92>)
Sistema: LG



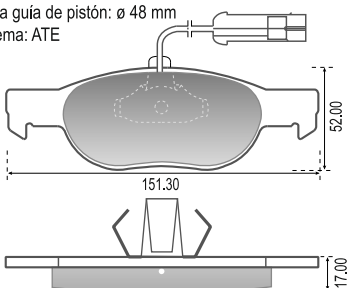
080

SPIDER - GT - GIULIA
Sistema: ATE



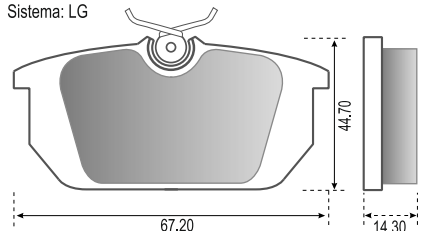
343

145 1.3ie, 1.4, 1.6, 1.9TD - 146 1.3, 1.4, 1.6, 1.9TD,
2.0, GTV, 1.8 16V (94>)
Traba guía de pistón: ø 48 mm
Sistema: ATE



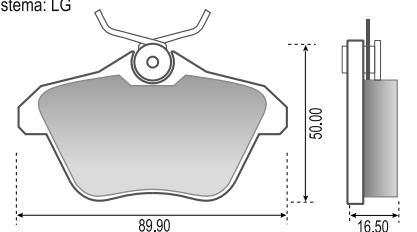
344

145 1.3i, 1.4, 1.6, 1.7 16V, 1.9TD - 146 1.3, 1.4, 1.7 16V
1.9TD, 2.0TD, 2.0 16V TWIN SPARK (95>97) - 33 1.7i
QUADRIFOGLIO - 155 1.8TS, 2.0TS, 2.5 (92>98), 2.0TD,
2.5TD (94>99) - GTV 2.0, 3.0 - SPIDER 2.0, 3.0 (96>00)
Sistema: LG



360

156 1.6i, 1.8i, 2.0, 2.5 V6 Ti TWIN SPARK (97>), 1.9TD
2.4JTD (98>) - 164 3.0 V6 (93>99) - 166 16 VTS, 2.4JTD
2.5, 3.0 (98>)
Sistema: LG



ACURA

AGRALE

ALFA ROMEO

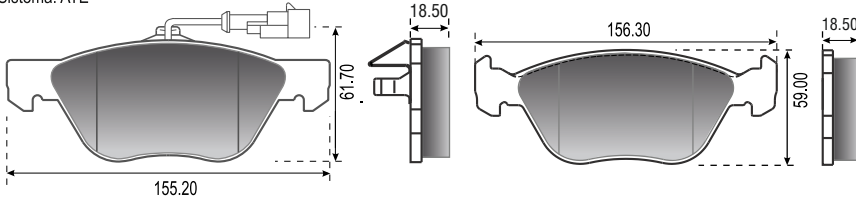
Pastillas para Freno / Brake Pads

ALFA ROMEO

349

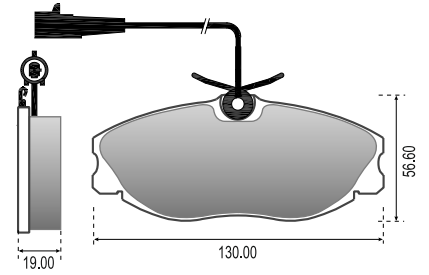
145 1.7 16V (96>97), 1.8TS, 2.0TS (97>) - 146 1.8 16V, 146 2.0TS 16V - 155 2.0 16V Turbo (95>97), 2.4 20V TD (96>00)
155 2.5 V6 TD (95>99) - 156 2.0TS, 2.5 V6 (97>)-156 1.6i, 1.8i, 1.9 TD, 2.4 JTD (98>) - 166 2.4 JTD, 2.5,
GTV 2.0 TS, SPIDER 2.0 TS, 3.0 V6 (96>00)

Traba guía de pistón: ø 48 mm
Sistema: ATE



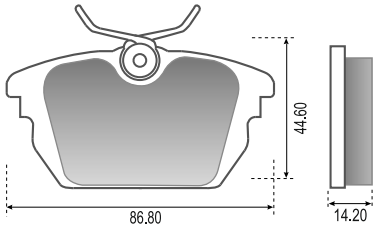
383B

155 2.0 Turbo, 2.5 V6 (95>98) - SPIDER 2.0
Sistema: LG



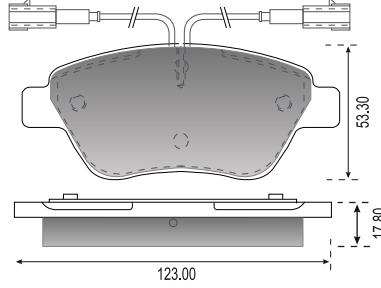
402

145 1.4, 1.6, 1.8 16V, 1.9TD, 2.0 (97>), 1.4 TDS
L, 1.4 JUNIOR, 1.6 MONTREAL, 2.0 16V TS
(98>) - 146 1.4, 1.6, 1.8 16V, 1.9TD, 2.0 (97>)
Sistema: LG



490

MITO 1.4, 1.4 MPI (08>)
Sistema: Bosch

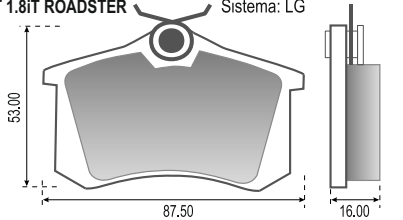


AUDI

D340

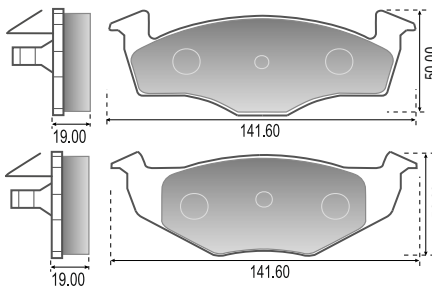
058

A1 1.2 TFSI (11>) - A3 QUATTRO S3 1.8i (99>), 1.8 20V,
1.6, 1.8, 2.4, 3.0 CONVERTIBLE (02>) - A4 2.0 FSI (02>),
1.8T CONVERTIBLE (03>), 1.8T, 3.0 QUATTRO, 2.4 (01>),
1.6, 2.0, 3.0, 1.9, 2.5 TDI, 3.0 QUATTRO (00>) - A6 1.8T, 2.8,
2.5, 1.9 TDI (97>), 2.0 (01>), 2.4, 2.8, 2.5 TDI, 2.4 -
TT 1.8iT ROADSTER
Sistema: LG



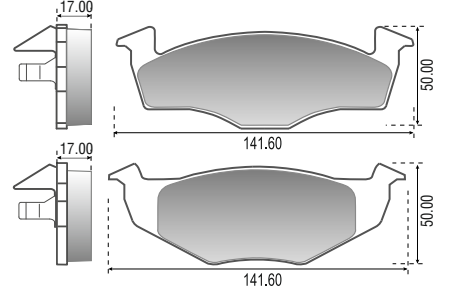
096

A3 1.6, 1.8 (96>98) - Para disco sólido de 12 mm
Traba guía de pistón: Ext. ø 42.50 mm - Int. ø 38.80 mm



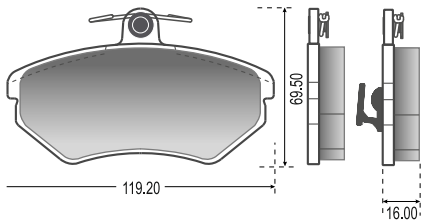
096A

A3 1.6, 1.8 (98>) Traba guía de pistón: Ext. ø 42.50 mm -
Int. ø 38.80 mm - Para Disco ventilado de 18 mm



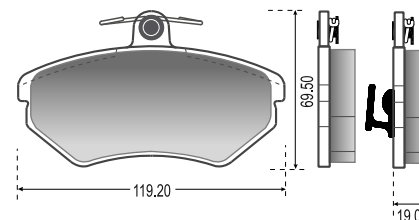
116

A4 1.8 - A6 (97>) - 80 (90>99) - 90 - CABRIOLET (94>)
(Disco Ventilado)
Sistema: LG



116A

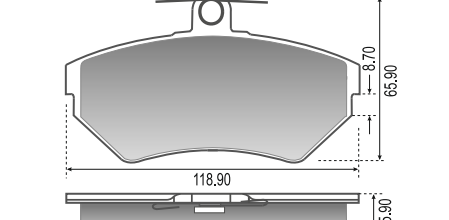
A4 1.8 (94>) - A6 (97>) - A8 (94>) - 80 (90>99) -
CABRIOLET (94>) (respaldo 12 mm) (Disco Sólido)
Sistema: LG



D704

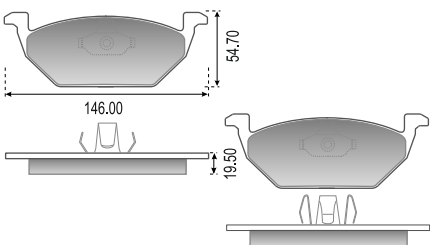
127

A4 1.6, 1.8, 1.9TDi (00>) - QUATTRO (97>) - 90
COUPE (94>) Disco Ventilado
Sistema: LG



362

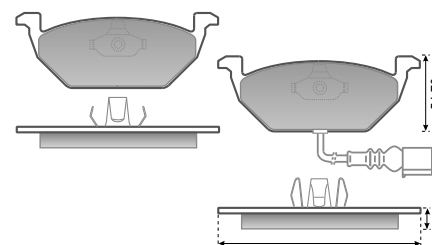
A3 1.6, 1.8, 1.8T, 2.0 (96>00) - TT 1.8 20V (99>)
A1 1.2 TFSI (11>) Traba guía de pistón:
ext. ø 42.50 mm - int. ø 51.50 mm Sistema: ATE



D768

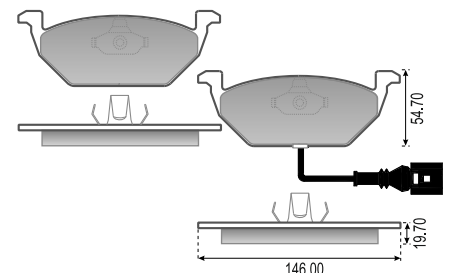
363

A3 1.6, 1.8, 1.8T, 2.0 (96>00) - TT 1.8 20V (99>)
Traba guía de pistón: ext. ø 42.50 mm - int. ø 51.50 mm
Sistema: ATE



363C

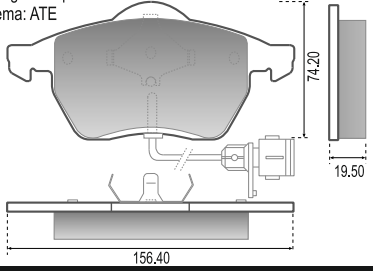
A3 1.6 8V, 1.8 20V (02>09)
Sistema: ATE



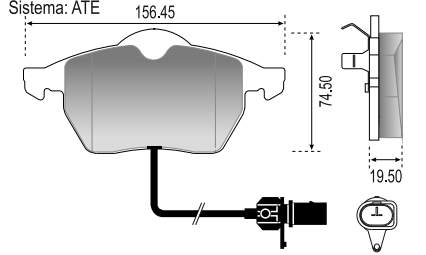
D555

364

A3 1.8 20V T (96>) - QUATTRO 1.8i T - S3 - A4
1.8 20V, 2.8 30V - A6 1.8, 2.0, 2.3, 2.4, 2.6, 2.8, 2.8 30V
1.9 TDI, 2.5 TDI - A8 - TT ROADSTER (99>)
Traba guía de pistón: ø 46 mm
Sistema: ATE

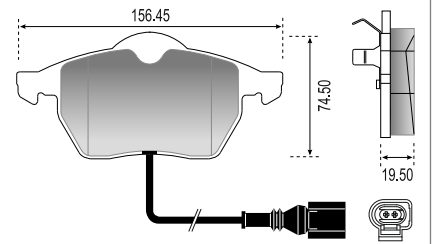


A4 1.6, 2.0 (97>), 1.8T (94>), 1.9 TDI (94>01), 2.4, 2.0 FSi
QUATTRO, 3.0 (02>), 2.5 TDI, 2.6, 2.8 (94>01) - A6 1.8T,
1.9, 2.5 TDI, 2.4, 2.8 (97>)
Sistema: ATE



484

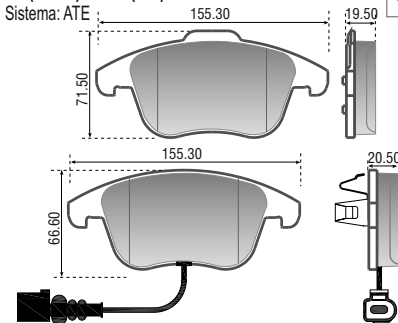
A3 1.8iT (98>) - A3 QUATTRO - TT 1.8T (99>)
Sistema: ATE



485

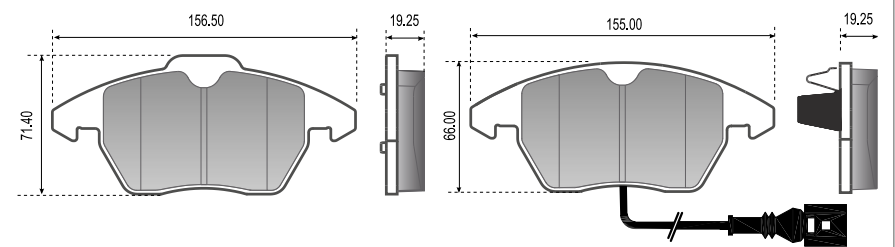
Q3 (2012>) - TSFI (11>)

Sistema: ATE



569

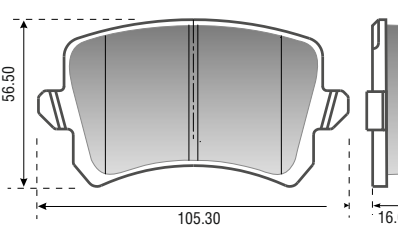
A3 1.6i, 1.6 FSi, 1.8 TFSI, 1.9 TDI, 2.0 TDI, FSi, QUATTRO, SPORTBACK (03>) - TT (10>) - TT QUATTRO S (09>)
A1 1.4 TFSI (11>)
Sistema: ATE



D1107

Q3 (2012>)

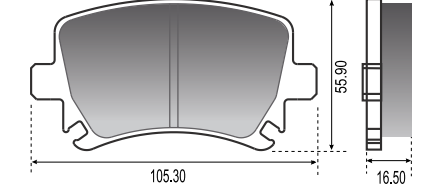
Sistema: TRW



570

A3 2.0 FSi, 2.0 TDI, 1.8 TFSI, 1.9 TDI, 2.0 TDI, FSi (03>)

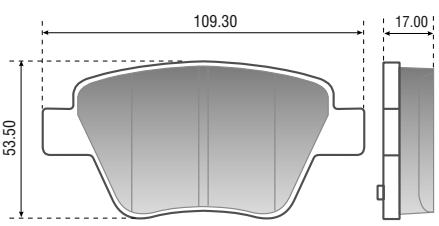
SPORTBACK 1.6i, 1.6 FSi, QUATTRO (03>) - S3
QUATTRO (06>) - A4 1.8T, 2.0i, 2.0 TDI, 2.0 TFSI, QUATTRO,
2.5 TDI, 2.7 TDI, 3.0 TDI (07>) - A6 2.0 TDI, 2.0 TFSI, 2.4, 2.7,
2.8 TFSI, 3.0 TDI QUATTRO, 3.2 FSi (04>) TT 2.0T (08>) -
TT QUATTRO (10>) - TT 3.2 V6 QUATTRO (06>)
Sistema: LG



D1108

A1 1.4 TFSI (11>) - A3 (11>) QUATTRO / SPORTBACK

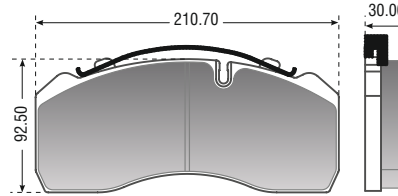
Sistema: Knorr



D1456

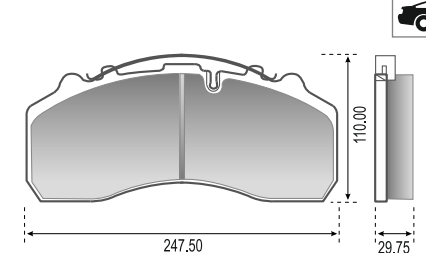
SB3745 - LECITRAILER SB-6000 - 65000

BOVA - DAF SB200 - Llanta 19.5"
ECO MAX SB/SN6 (SB 3745) - K /SKH SERIES - ECO PLUS
Sistema: Knorr



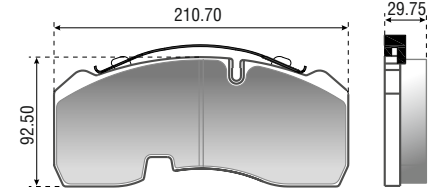
400

ECO PLUS SB/SN7 (SB 4345) - Llanta 22.5"
Sistema: Knorr



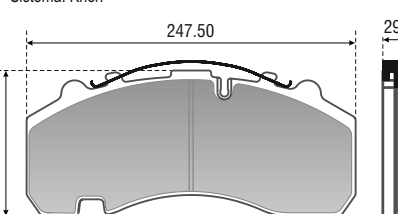
458

ECO MAX SB/SN6 (SB 3745) - K SERIES (2003>)
ECO PLUS SB/SN6 (SB 3745) - AIR BRAKE
SKH SERIES SB/SN6 (SB 3745) - UNI-DISC
KNORR BREMSE SB/SN 6000 - TRAILER APPLICATIONS
Llanta 19.5" (03>)
Sistema: Knorr



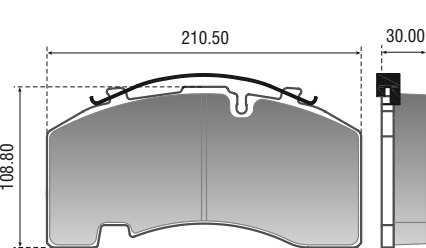
492

ECO PLUS SB/SN7 (SB 4345) - AIR BRAKE (2003>) -
SH SERIES SB/SN7 (SB 4345) - HD / KNORR
BREMSE SB/SN 7000 - TRAILER APPLICATIONS
Llanta 22.5" (03>)
Sistema: Knorr



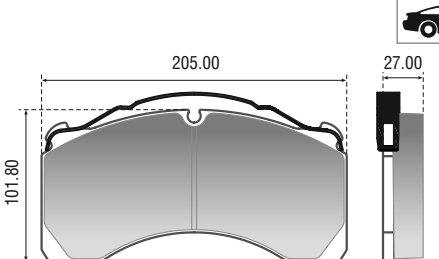
493

SB4345 - SB4346 - SB4347 - SB4370 - SB4391
Sistema: Knorr



504

ROR LM - LMC - TM MERITOR
Sistema: Meritor



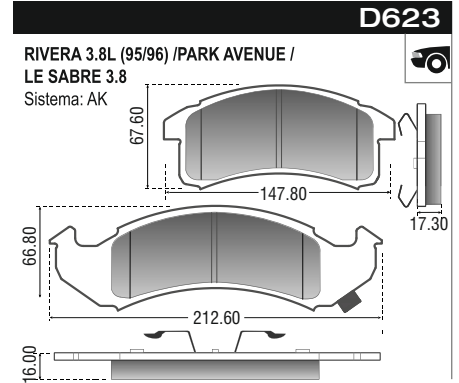
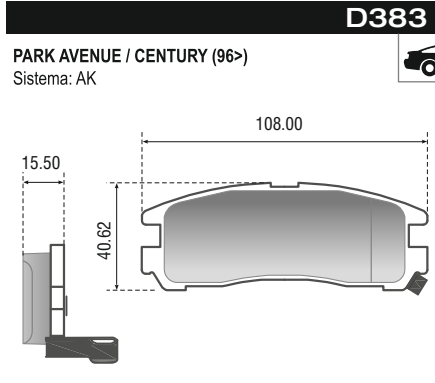
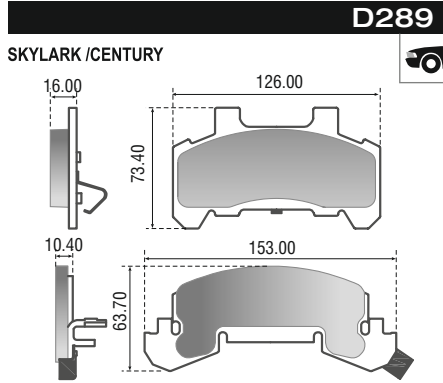
505

AUDI

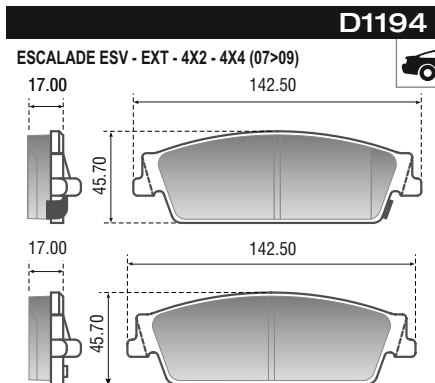
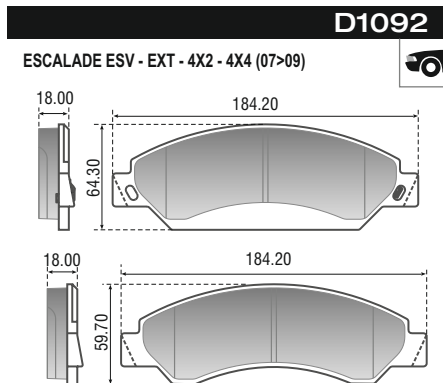
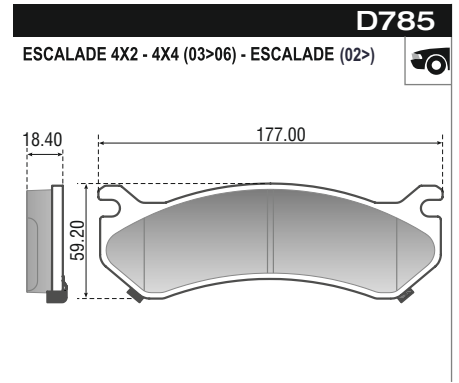
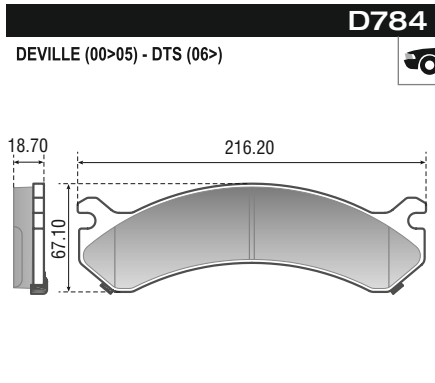
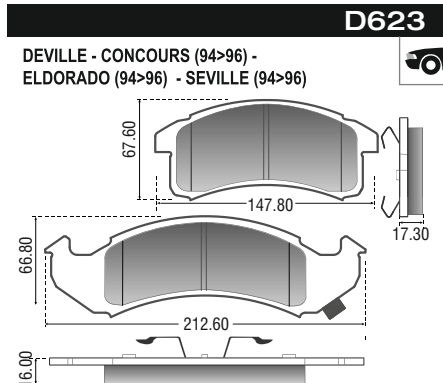
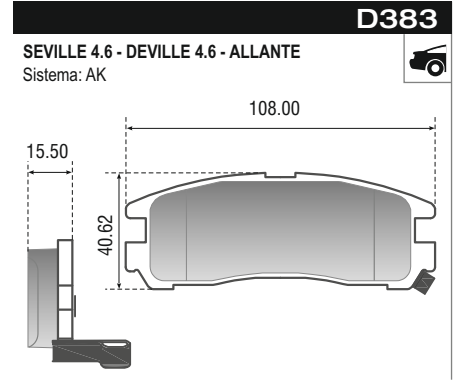
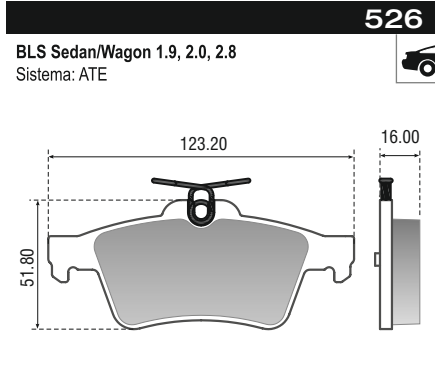
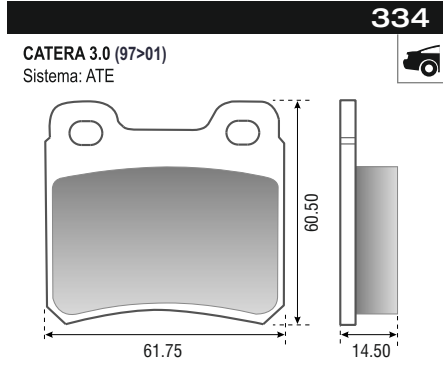
BPW

Pastillas para Freno / Brake Pads

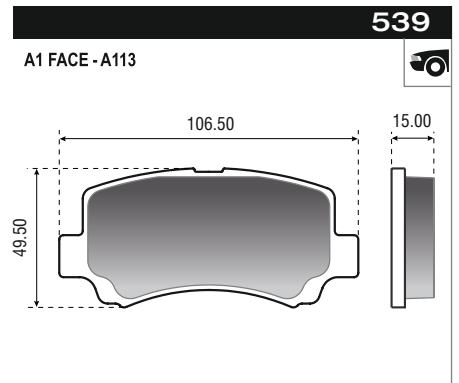
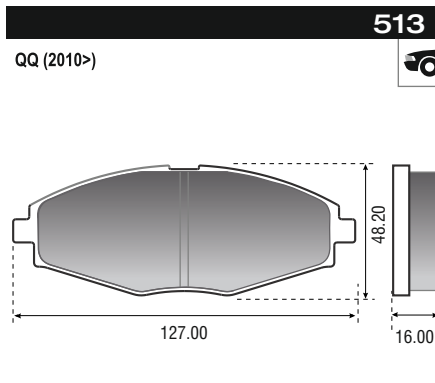
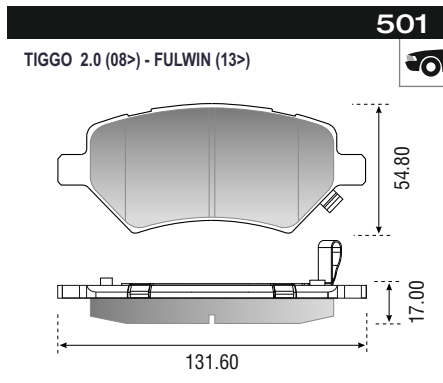
BUICK



CADILLAC



CHERY



001

DODGE 1500 (71>72) - Caliper importado
Sistema: LG

010

DODGE POLARA - CORONADO - GT - GTX (68>80)
Sistema: Varga

012

DODGE 1500 - 1800 (68>78)
Sistema: BX

014

DODGE 1500 - 1800 (71>91)
Sistema: TEN

D52

JEEP GRAND WAGONEER (90>91) - WAGONEER (77>83) - WILLYS CJ (78>83) Sistema: BX

563

JOURNEY - VOYAGER - TOWN COUNTRY
Sistema: TRW

D383

CHRYSLER CIRRUS 2.0, 2.4 - CIRRUS CONV 4.0L (98>04) - CIRRUS COUPE V6 (98>04) - SEBRING R/T 4L (97>98) 2.5, 2.0, 2.7 Sistema: AK

D440

DODGE VERNA (04>06)
Sistema: AK

D477

JEEP WRANGLER 4.0 (93>) - SPORT 2.5, 4.0 TD GRAND CHEROKEE LAREDO 3.1, 4.0, 4.7 (00>) COMANCHE 4X4 (90>92)
Sistema: KH

D524

SPIRIT - CARAVAN (>95)
Sistema: KH

D524

SPIRIT - CARAVAN (>95)
Sistema: KH

D666

JEEP GRAND CHEROKEE (95>)
Sistema: KH

D790

JEEP GRAND CHEROKEE (99>)
Sistema: KH

D791

JEEP GRAND CHEROKEE (99>)
Sistema: KH

D965

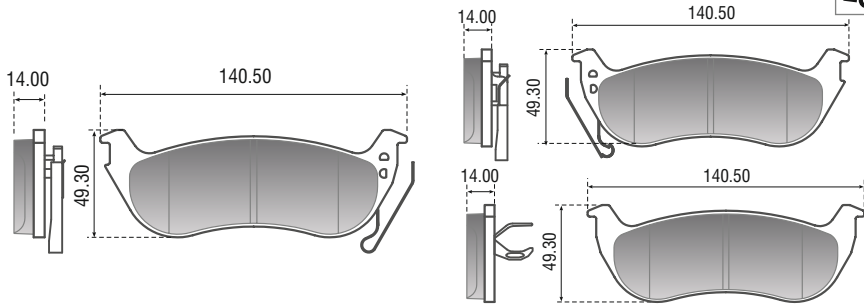
DODGE RAM 1500 / 2500 / 3500 (03>08)
Sistema: KH

Pastillas para Freno / Brake Pads

CHRYSLER

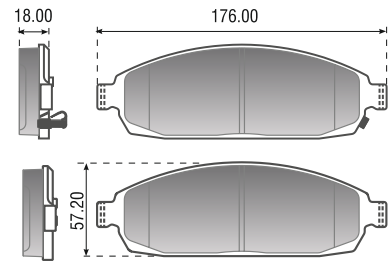
D981

JEEP LIBERTY (03>07) - WRANGLER (06>) - VOYAGER - TOWN & COUNTRY 3.3 (07>) Sistema: KH



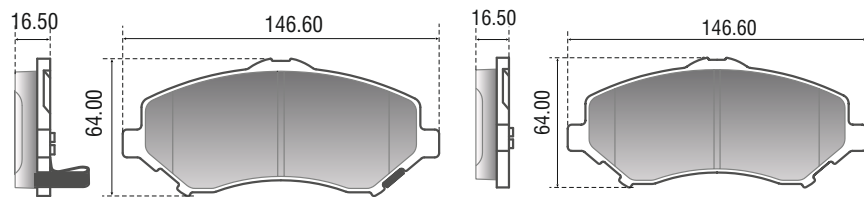
D1080

JEEP COMMANDER 4.7, 5.7 (06>09)
JEEP GRAND CHEROKEE 4.7 (06>09) - 3.7 (09>)



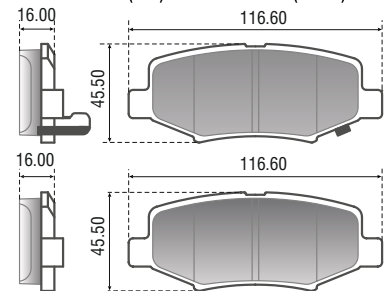
D1273

DODGE JOURNEY 2.0 16V CRD - 2.4, 2.7 V6 (08>) - 3.6 (13>) - NITRO (07>09) - CHRYSLER GRAND VOYAGER (08>09) - TOWN & COUNTRY (08>09) - JEEP LIBERTY (08>09) - JEEP WRANGLER (07>14) - VISION (93>) - NEON 94>00) - NEW YORKER (93>98) - 300 M (98>04) - CONCORDE - CARAVAN 3.6



D1274

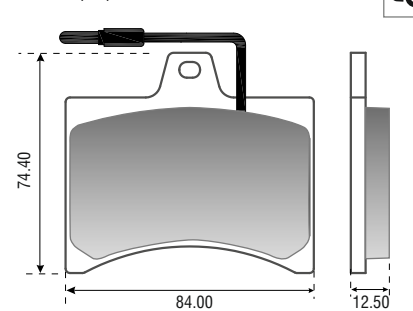
JEEP CHEROKEE - JEEP LIBERTY (08>09)
JEEP WRANGLER (07>) - DODGE NITRO (07>09)



CITROËN

025

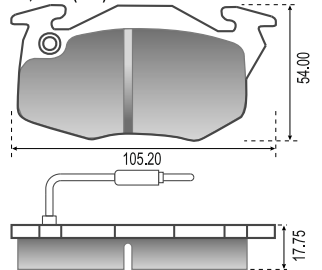
VISA CLUB (87>) - CALIPER IMPORTADO



041

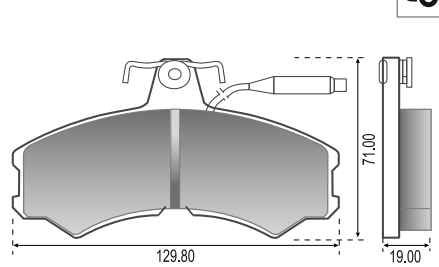
C-15 - XANTIA 1.6i, 1.8i, 1.9TD - SAXO 1.0, 1.1, 1.4, 1.5D, 1.6 VTL, 1.6 VTR, 1.6 VTS 16V (00>) - ZX 1.1, 1.4, 1.6 Aura, 1.8i, 1.9D (>98)

Sistema: BX



052

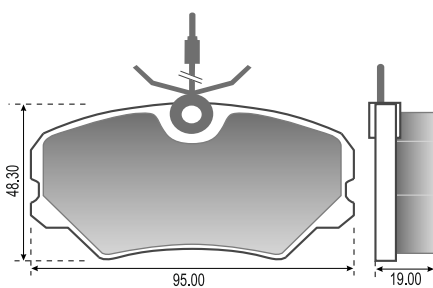
C25 Bus - C35 Pick up Sistema: LG



054

ZX COUPE 1.9, 2.0i 16V - VOLCANE 1.9, 2.0i (92>)

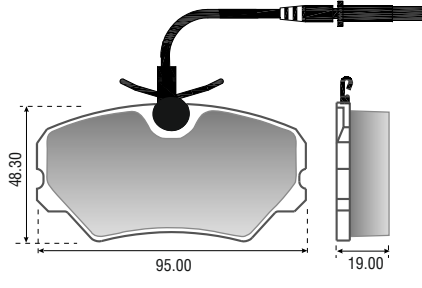
Sistema: LG



054A

ZX 2.0 16V (4 CABLES)

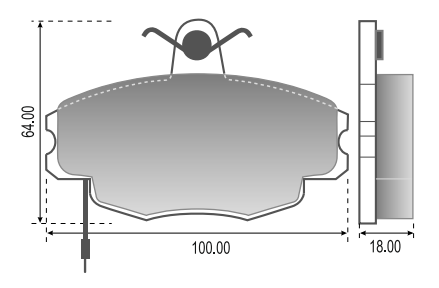
Sistema: BX



055

ZX 1.6 AURA, 1.8i, 1.9 TD, 2.0i 16V (>98)

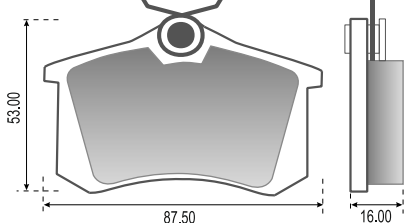
Sistema: LG



D340

C3 1.4 HDI 90 CV (06/02>), 1.6 16V - C4 1.6 16V
1.6 HDI, 2.0 16V - C4 PICASSO 2.0i 16V, 1.6 HDI
2.0 HDI (07>) - C4 Lounge 2.0 i 16V, 1.6 - DS3 1.6

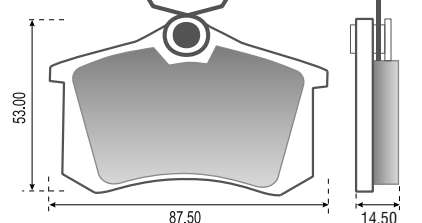
Sistema: LG



058

C4 - C4 VTR (05>)

Sistema: LG

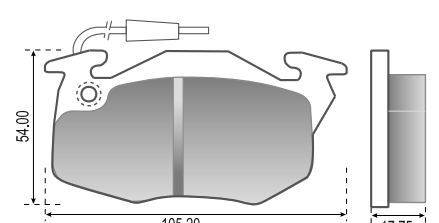


058A

062

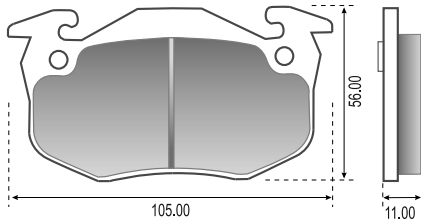
C-15 - XANTIA 1.6i, 1.8i, 1.9TD - SAXO 1.0, 1.1, 1.4, 1.5D, 1.6 VTL, 1.6 VTR, 1.6 VTS 16V (00>) - ZX 1.1, 1.4, 1.6 Aura, 1.8i, 1.9D (>98)

Sistema: BX

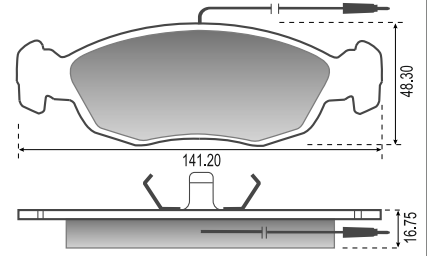
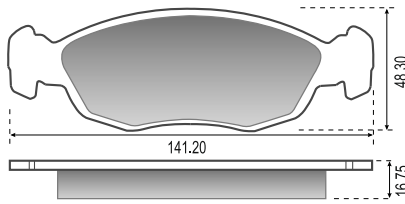


074

SAXO 1.6 VTL, VTR, 16V VTS (00>) - XSARA 2.0, 2.0 16v SX (00>) - 1.8 SX, 1.8i, 16V SX, 1.9 D SX, TD SX (99>) - ZX 1.1, 1.4, 1.6, 1.8i, 1.9 TD, 2.0i 16V, 1.9 XSARA PICASSO 1.8 16V, 2.0i HD
Sistema: BX

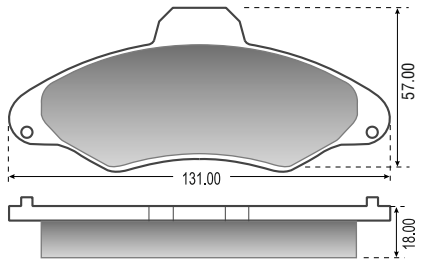


SAXO 1.0 ,1.1, 1.4, 1.6 VTL, VTR, 16V VTS (00>) - XANTIA 1.6i, 1.8i, 1.9TD SX, 2.0i SX (93>98) - XSARA 1.4, 1.6, 1.8, 1.9 (98>) Traba guía de pistón: ø 36 mm
Sistema: ATE



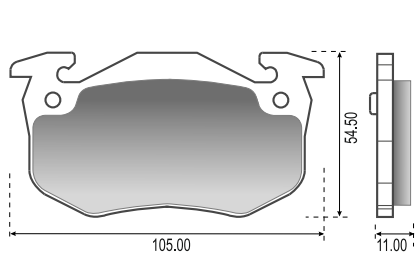
085N

XANTIA 1.6, 1.8, 1.9, 2.0 (93>98)
Sistema: BX



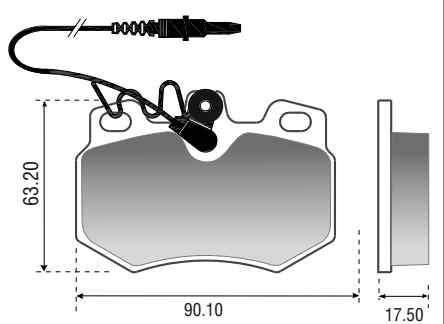
090

XSARA - SAXO
Sistema: Bosch



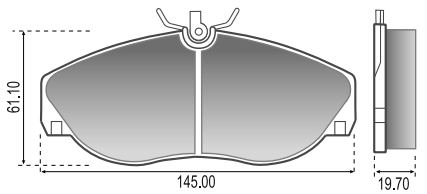
303

C-15 - ZX GTI



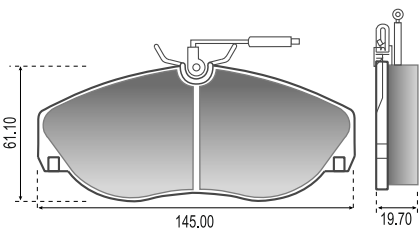
306

JUMPER 27 - 31 - 35 1.0T, 1.4T - JUMPER 1.9D, 1.9TD, 2.5D, 2.5 TD, 2.0i (94>02)
Sistema: LG



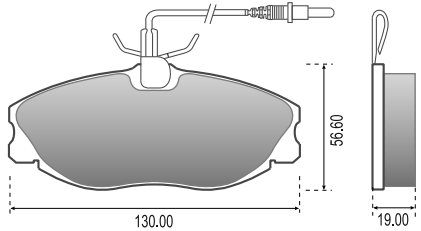
306A

JUMPER 1.9D/TD, 2.0i, 2.4D, 2.4 TD
Sistema: LG



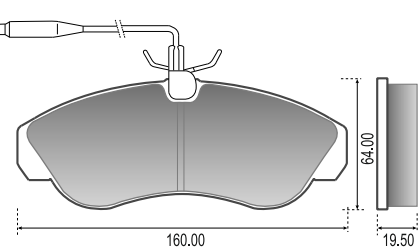
383

XSARA 2.0, 2.0i 16V SX (00>)
Sistema: LG



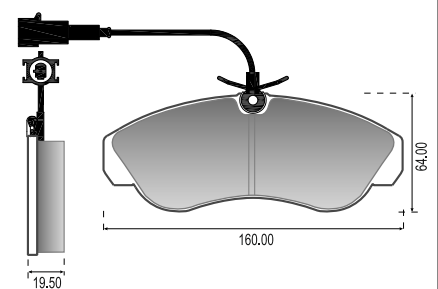
389

JUMPER 2.8 DHi (96>02)
Sistema: LG



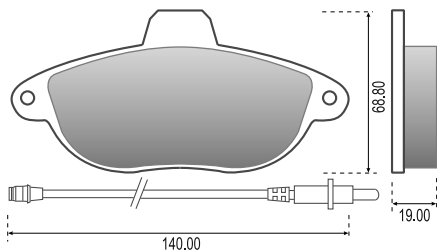
389A

JUMPER (94>02)
Sistema: LG



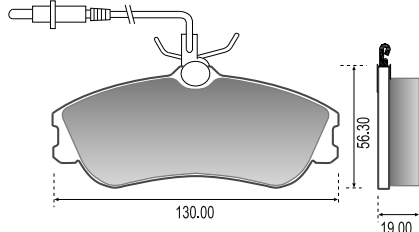
390

JUMPY 1.6, 1.9D, 1.9TD, 2.4D (99>)
EVASION 1.8i (96>)
Sistema: BX



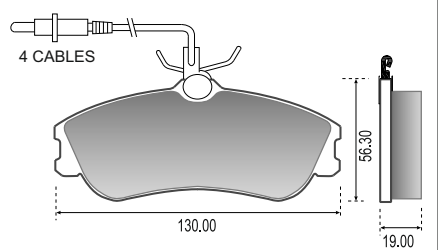
391

BERLINGO 1.8, 1.9D - MULTISPACE 1.8, 1.9D
XSARA 1.8 SX, 1.8i 16V, 1.9D SX (99>) - XANTIA - PICASSO (96>97) - BERLINGO Multispace y furgón 1.4, 1.6 16V, 1.6 HDI (10>) - XSARA PICASSO (12>)
Sistema: LG



391B

BERLINGO (96>01) (4 CABLES POR JUEGO)
Sistema: LG

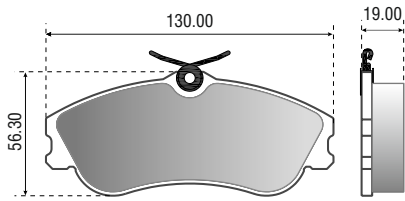


Pastillas para Freno / Brake Pads

CITROËN

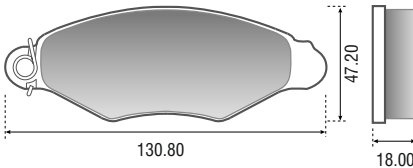
391N

BERLINGO 1.4 8V, 1.6 16V, 1.6 HDI (10>)
XSARA PICASSO 1.6 16V, 2.0 16V, 2.0 HDI
Sistema: LG



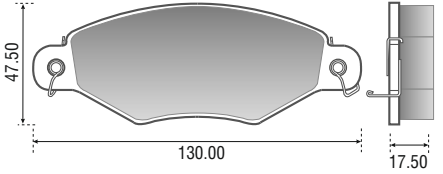
392

XANTIA - XSARA 1.4, 1.6, 1.8, 1.9D
Sistema: Bosch



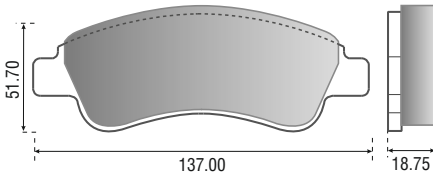
399

BERLINGO - XANTIA - XSARA 1.4, 1.6, 1.8, 1.9D
Sistema: BX



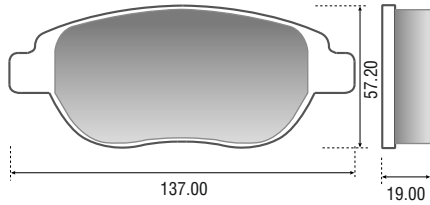
434

BERLINGO Multispace y furgón 1.4, 1.6 16V,
1.6 HDI (2010>) - C4 1.6 16V - XANTIA - XSARA
1.6 16V, BREAK 1.6 16V, 2.0 HDI - XSARA COUPE 1.6 16V
C3 II 1.5 (90 cv) (13>) - DS3 1.6 VTI 120 cv, 1.6 THP 150 cv
Sistema: Bosch



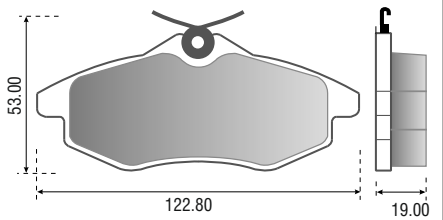
444

C3 PICASSO 1.6 16v - C3 AIRCROSS 1.6 16v
C4 1.6 HDI, 2.0 16V - C4 COUPE 1.6 16V LX, VTR,
VTS (04>) - C4 PICASSO 1.8i 16V, 1.6 HDI (07>) -
C3 PICASSO 1.6 16V - C3 II 1.6 VTI (115 cv) (2013>) -
Ds3 1.6 VTI, 1.6 THP - C4 Pallas Exclusive (08>)
Sistema: LG



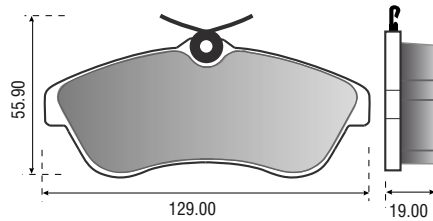
448

C3 1.1i, 1.4i, 1.4HDI (68HP) (02>)
Sistema: LG



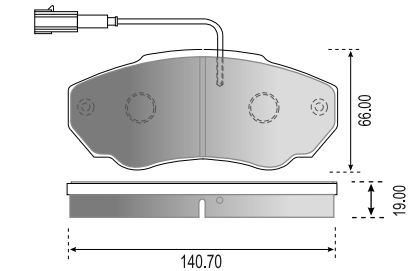
449

C3 1.4 (4/02>), 1.4 16V (12/03>), 1.4 16V Hdi (02>),
1.6 16V (02>)
Sistema: LG



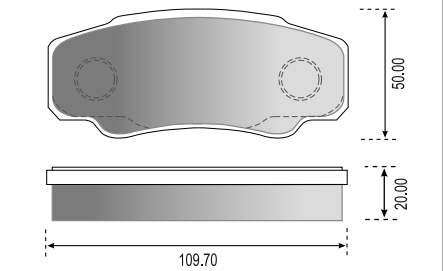
476

JUMPER 27, 29, 31, 33 (2002>)
con sensor pin macho Sistema: Bosch



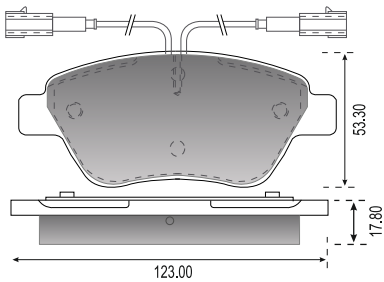
487

JUMPER 27, 29, 31, 33 Sistema: Bosch



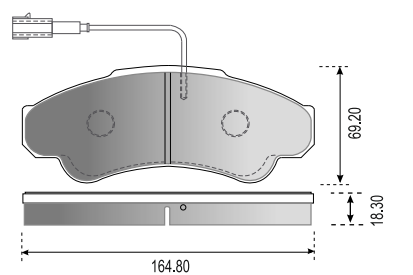
490

NEMO 1.4, 1.4 HDI
Sistema: Bosch



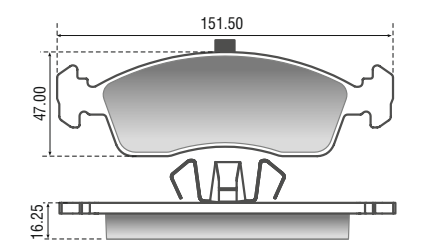
498

JUMPER 2.8 HDI 35 SERIES (01>) - FURGON 2.3 Hdi
(10>) Sistema: Bosch



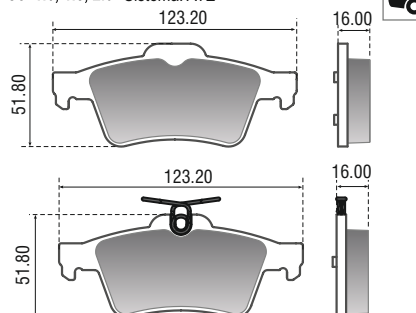
525

C3 1.4, 1.5 8V (2013>)
Sistema: ATE



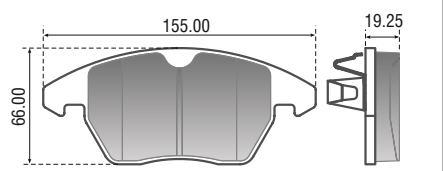
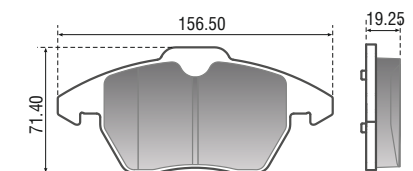
526

C5 1.6, 1.8, 2.0 Sistema: ATE



531

C4 (04>) - C4 Lounge 1.6 i THP - C4 1.6 THP, 2.0 HDI (09>) - C4 GRAN PICASSO 2.0 HDI (09>), 2.0 16V, 2.0 HDI (06>)
(06>) - C4 PICASSO 2.0 HDI (09>), 2.0 16V, 2.0 HDI (07>) - DS4 1.6 16V Turbo (13>) - DS5 1.6 THP, 2.0 HDI, 2.0 HDI
HYBRIDO (11>) - DS5 1.6 16V Turbo (13>)
Sistema: ATE



527

C4 - DS4 - BERLINGO 1.6 16v, 1.6 HDI
Sistema: ATE

534

C3 (09>) - C4 Lounge 2.0 i 16V, 1.6 HDI (13>)
Sistema: Bosch

D1108

C4 - DS4 - XSARA PICASSO - BERLINGO - C3
Sistema: LG

089

CLARK EMPILHADEIRA C-300 - Y-40 Y-50 Y-60 (87>)
Sistema: ATE

013

DACIA (93>)
Sistema: BX

079

ESPERO 1.5, 2.0 - RACER GTi (90>94)
HEAVEN (94>97) - PRINCE 2.0 (92>)
Sistema: GM

083

LANOS 1.3, 1.4 SE, 1.5 SE, 1.6 16V (>97)
NEXIA 1.5 GL, 1.5 16V GLX, GTX (95>97)
Sistema: ATE

100

ESPERO 1.5 16V, 1.8i, 2.0i (94>96) - LANOS 1.3,
1.4 SE, 1.5 SE, 1.6 16V - NEXIA 1.5 GL,
1.5 16V GLX, GTX (95>97)
Sistema: ATE

513

MATIZ (2005>) - LANOS II

D797 D1035 514

CIELO 1.5 (96>) - ESPERO 1.5i 16V (97>) - 1.8 CD,
2.0 CD (96>) - LANOS 1.4, 1.5, 1.6 16V (97>)
LEGANZA 1.8 - 2.0 - 2.2 - 2.2 CDX (98>) - NEXIA
1.5 (97>) - NUBIRA 1.6 - 2.0 CDX (97>)

528

LACETTI PREMIERE - HOLDEN 1.8 16V (09)
Sistema: Bosch

CITROËN

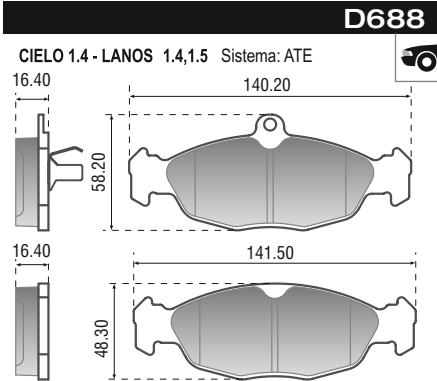
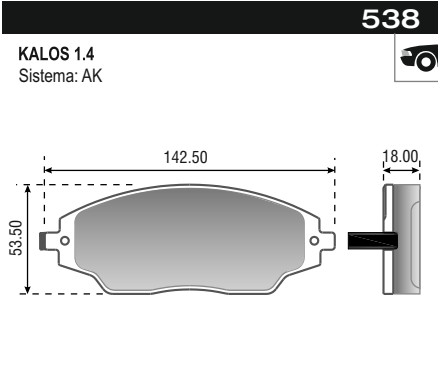
CLARK

DACIA

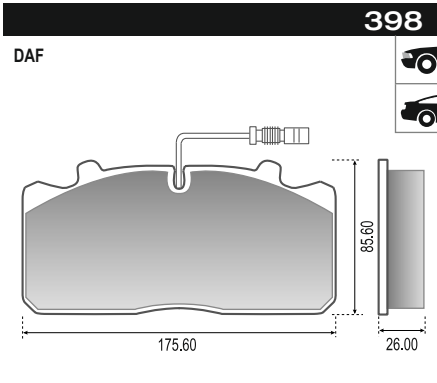
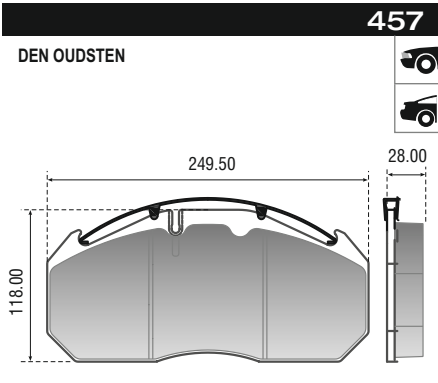
DAEWOO

Pastillas para Freno / Brake Pads

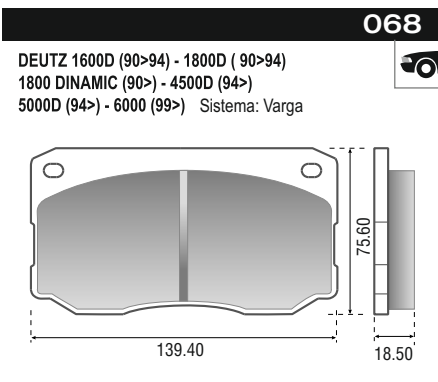
DAEWOO



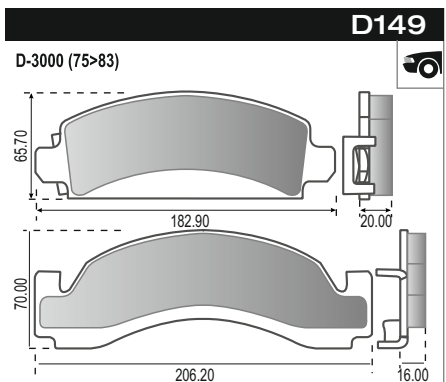
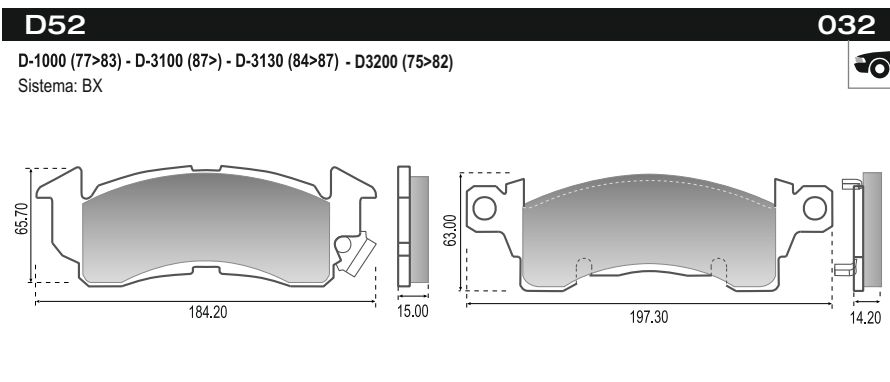
DAF



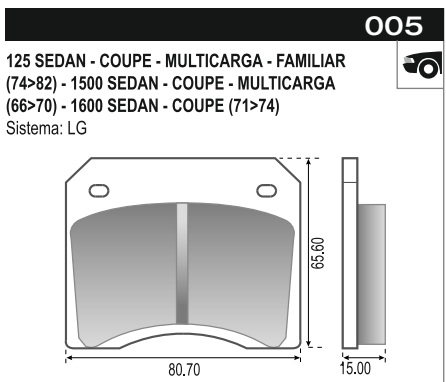
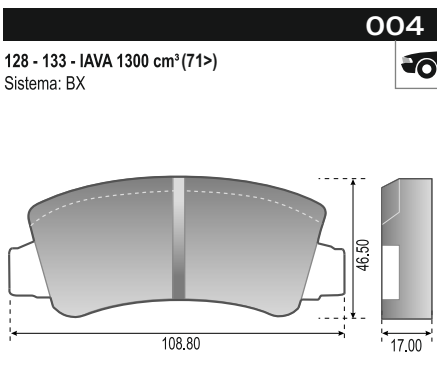
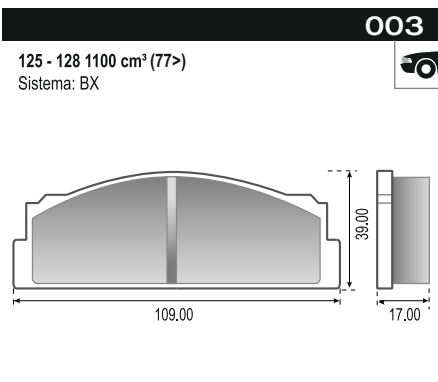
DEUTZ



DINA

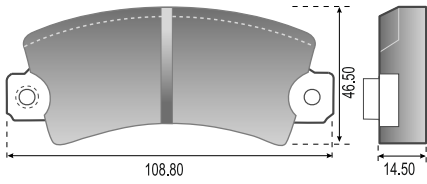


FIAT



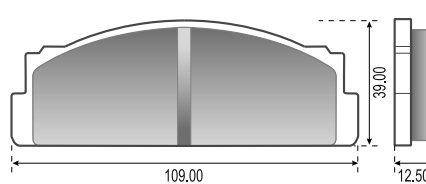
013

147 - BRIO - FIORINO (Brasil) - REGATTA (83>92)
Sistema: BX



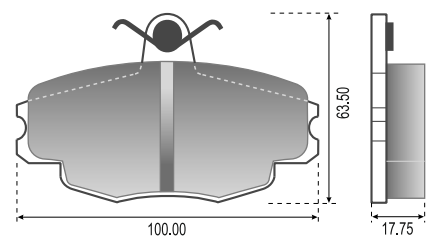
019

133 (77>) - 147 (85>86)
Sistema: BX



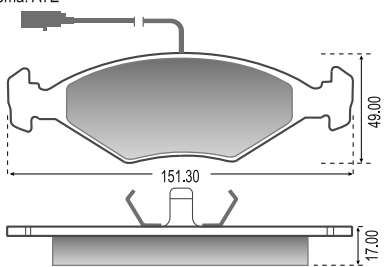
035

DUNA - UNO (91>)
Sistema: LG



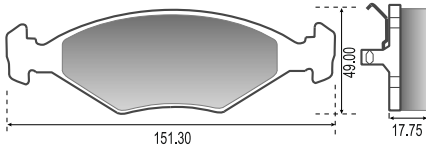
037

SIENA HL - PALIO 1.6 EL, 1.6 16V HL, 1.7 TD EL, 1.7 TD HL (97>)
Traba guía de pistón: \varnothing 37 mm
Sistema: ATE



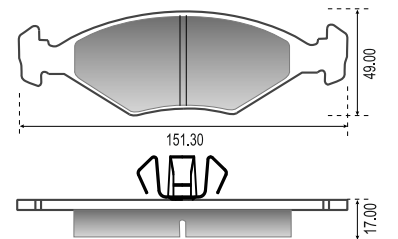
040

DUNA (88>) - UNO (84>96) - SPAZIO - VIVACE FIORINO (87>) - 147 - SIENA - PREMIO (85>94) REGATTA 85 (85>) - PALIO 1.0, 1.5, 1.6 16V (96>) PALIO WEEKEND 1.5 (97>)
Traba guía de pistón: \varnothing 37 mm
Sistema: ATE



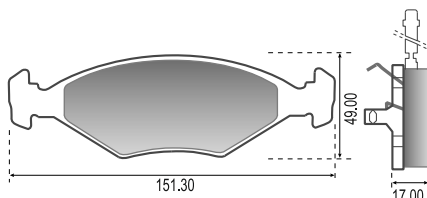
040A

ELBA (86>93) - UNO 1.0 8V (09>13)
Traba guía de pistón: \varnothing 41 mm
Sistema: ATE



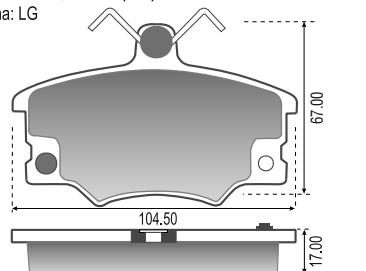
040D

DUNA - UNO - REGATTA 85 c/s monopolar (90>)
Traba guía de pistón: \varnothing 37 mm
Sistema: ATE



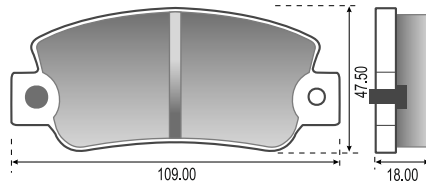
044

REGATTA 100 - 2000 - WEEKEND (86>91) - UNO 1.5, 1.6 - TIPO 1.6, 1.8 (93>97) - 2.0 8V (92>94) PUNTO 1.4i GT, 1.8 16V (93>)
Sistema: LG



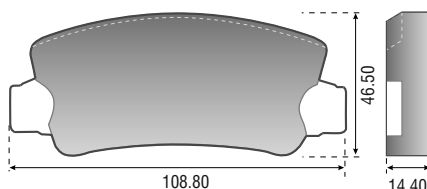
045

REGATTA 85 c/s 16 mm (85>92)
Sistema: BX



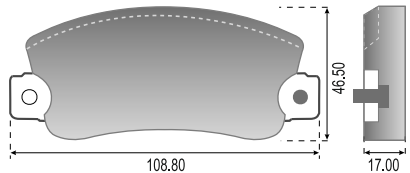
046

128 EUROPA - CL5 - 147 - SPAZIO TR BRIO - FIORINO
Sistema: BX



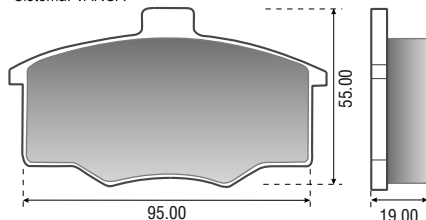
048

REGATTA 85S c/s 15 mm (85>)
Sistema: BX



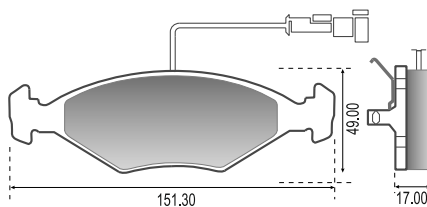
050

DUNA (88>92) - UNO (84>96) ELBA PREMIO (85>97) - FIORINO PICK UP (87>93) 147 VIVACE (94>)
Sistema: VARGA



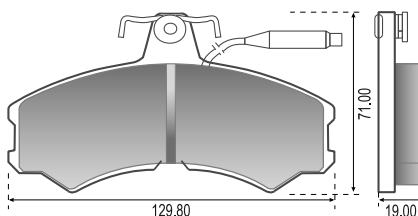
051

TEMPRA 16V, 8V, SW
Traba guía de pistón: \varnothing 43 mm
Sistema: ATE



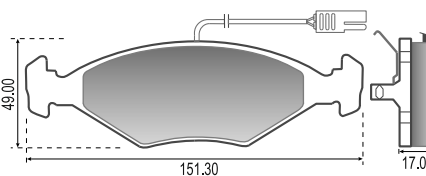
052

DUCATO (92>)
Sistema: LG



057

DUNA - UNO - REGATTA 85 c/s bipolar (85>)
Traba guía de pistón: \varnothing 37 mm
Sistema: ATE

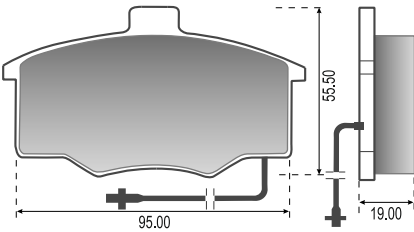


Pastillas para Freno / Brake Pads

FIAT

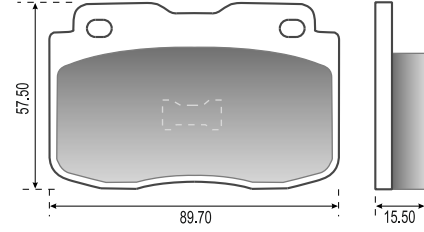
061

DUNA - UNO - REGATTA SCL, SL (90>)
Sistema: VARGA



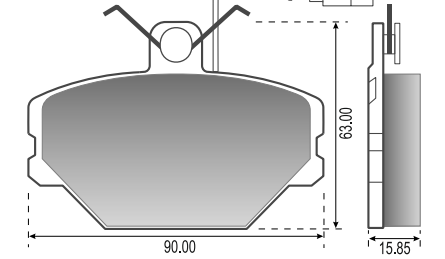
069

147 (77>86) - FIORINO (83>87) - OGGI (83>85)
PANORAMA (Brasil) (80>86) Sistema: ATE



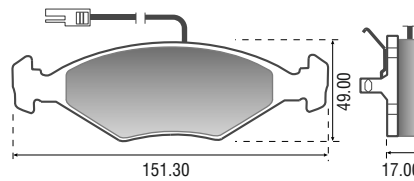
071

TEMPRA 1.6 (>94)
Sistema: LG



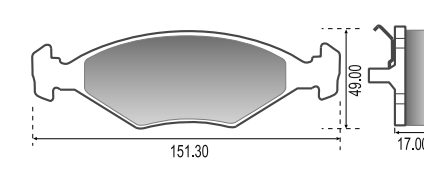
076

DUNA - UNO c/s bipolar largo (93>)
Traba guía de pistón: \varnothing 37 mm
Sistema: ATE



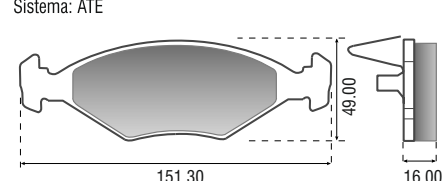
082

FIORINO PICK-UP - TIPO (94>97)
Traba guía de pistón: \varnothing 43 mm
Sistema: ATE



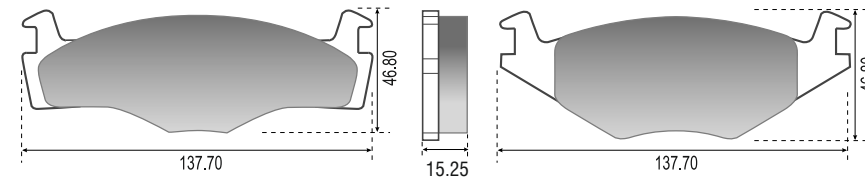
087

PALIO 1.0 ED, EDX, EX, ELX (98>) 1.6 EL,
1.6 V6 HL 1.7 TD EL, HL (99>) - SIENA 1.0 ELX (98>)
TIPO MPI 1.6
Traba guía de pistón: \varnothing 43 mm
Sistema: ATE



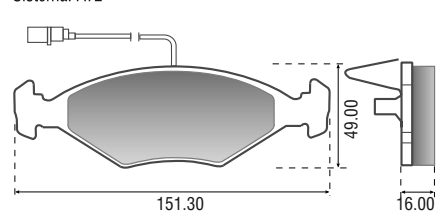
086A

PALIO (98>00)
Sistema: ATE



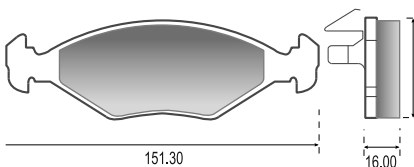
087D

PALIO 1.0 ED, EDX, EX, ELX (98>) 1.6 EL,
1.6 V6 HL 1.7 TD EL, HL (99>) - SIENA 1.0 ELX (98>)
TIPO MPI 1.6 (96>)
Traba guía de pistón: \varnothing 43 mm
Sistema: ATE



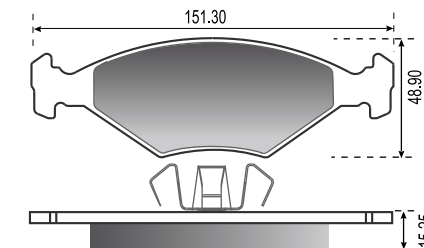
088

PALIO - SIENA - araña chica (99>)
Traba guía de pistón: \varnothing 36 mm
Sistema: ATE



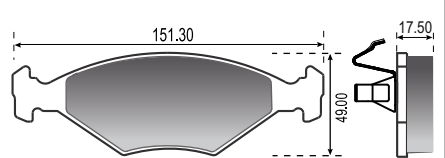
093

PALIO - SIENA (2009>)
Traba guía de pistón: \varnothing 50.3 mm
Sistema: ATE



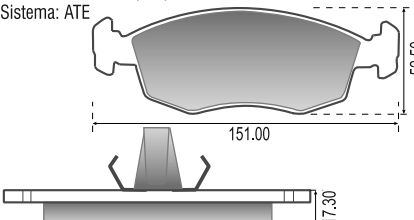
093A

FIORINO 750 Kg - UNO 1.0 WAY
Traba guía de pistón: \varnothing 50.3 mm
Sistema: ATE



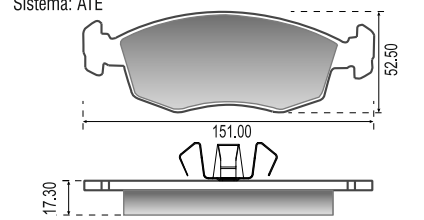
119

PALIO 1.6 16V (98>00), 1.6 16V Sport, ELX (01>) -
PALIO WEEKEND 1.6 16V (97>00), 1.5 City RLX, EX,
1.6 ELX, 1.3 16V ELX Fire (00>) - 1.3 (2004>) - PUNTO 1.4, 1.8
STRADA 1.5 8V, 1.6, 1.6 16V (99>) - SIENA 1.6 16V (98>) -
IDEA ADVENTURE (05>) - Traba guía de pistón: \varnothing 43 mm
Sistema: ATE



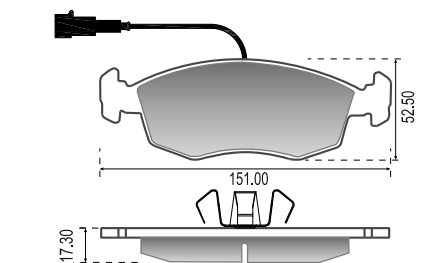
119A

IDEA 1.4, 1.8 (09>) ADVENTURE - DOBLO 1.3 16V,
1.6 16V, 1.8 (09>) - GRAND SIENA 1.6 16V (12>)
PALIO ESSENCE 1.6 16V (11>) - SPORTING 1.6 16V
PUNTO 1.4, 1.8 - STRADA 1.4 - 1.8 (09>)
500 1.4 16V (11>) - Traba guía de pistón: \varnothing 51.50 mm
Sistema: ATE



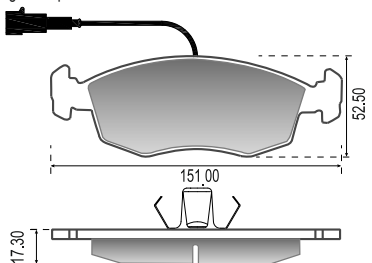
119B

STILO 1.8 8V (10>12)
Traba guía de pistón: \varnothing 50.3 mm
Sistema: ATE



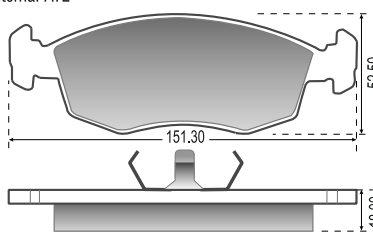
119C

STILO 1.8 8V / ATTRACTIVE DUALOGIC / BLACKMOTION / DUALOGIC 1.8 8V (07>10) - SPORTING 1.8 8V (07>)
Traba guía de pistón: \varnothing 43 mm Sistema: ATE



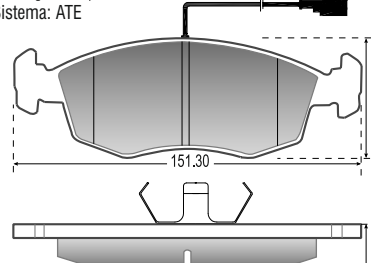
121

PALIO - PALIO WEEKEND 1.6 Stile, 1.6 16V, 1.7 TD SIENA 1.6 16V (97>) - FIORINO (97>) - TEMPRA 16V, 8V (95>) - TEMPRA Turbo, TIPO 2.0 16V (94>) - LINEA 1.9 16V
Traba guía de pistón: \varnothing 43 mm Sistema: ATE



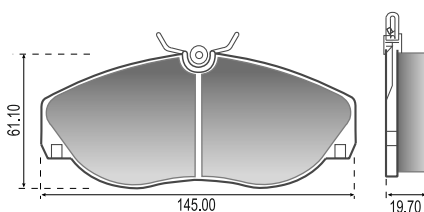
121D

TIPO (94>97) - PALIO WEEKEND 1.6, 1.7 TD - TEMPRA SIENA - TIPO 2.0 16V (94>98) - UNO TURBO (92>96)
Traba guía de pistón: \varnothing 43 mm Sistema: ATE



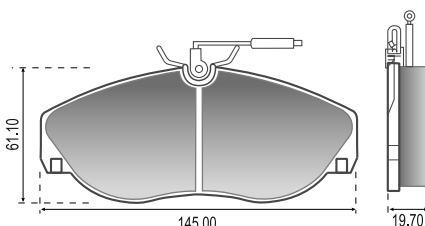
306

DUCATO (95>) - DUCATO 1.0 T, 1.4 T (93>) 2.5 8 / 2.5 10 (97>99)
Sistema: LG



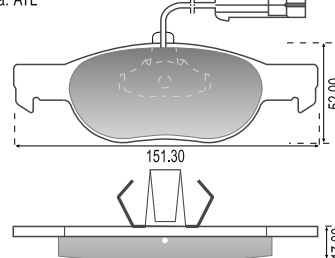
306A

DUCATO 2.5 8 / 2.5 10 (00>)
Sistema: LG



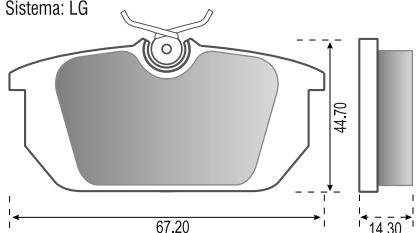
343

MAREA - MAREA WEEKEND 1.6, 1.7, 1.8, 1.9TD BRAVA 1.9 DS, SX - BRAVO 1.4, 1.6i 16V, 1.9DS, SX1.8 BARCHETA 1.8 (94») - Traba guía de pistón: \varnothing 48 mm Sistema: ATE



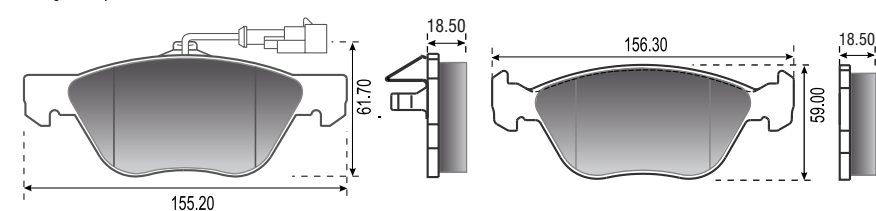
344

BRAVO 2.0i 20V HGT (96>) - BARCHETTA 1.8 16V BRAVA 1.8 16V, 2.0i 20V - Coupe 2.0i 16V TEMPRA SW (95>) - PUNTO 1.4 GT Turbo, 1.8 16V (93>) TIPO 2.0 8V - UNO Turbo italiano (90>94)
Sistema: LG



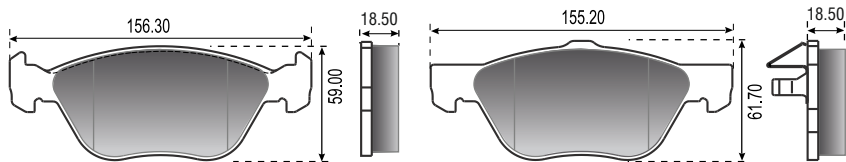
349

MAREA 1.8 SX, 2.0 ELX, HLX, SX (98>00) - MAREA WEEKEND 2.0i 20V (96>98), 2.0 ELX, HLX, SX (98>00), 2.4 20V TD (96>00) BRAVO 2.0 20V, 2.0i 16V - BRAVA 1.9 TD, 2.0 - COUPE 1.8, 2.0 16V (95>) - LINEA 1.4 T-Jet, 1.9 16V. Essence / Essence Dualogic y Absolute - PUNTO 1.4 T-Jet
Traba guía de pistón: \varnothing 48 mm Sistema: ATE



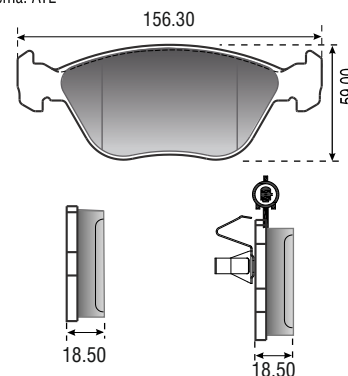
349A

DOBLO 1.8 ADVENTURE (10>) - FIORINO 750 Kg (10>) - PALIO WEEKEND ADVENTURE/LOCKER 1.8 (10>) - IDEA 1.8 ADVENTURE (2005>2010) - LINEA 1.4 T-JET - LINEA 1.9 (10>) - PUNTO 1.4 T-JET (10>) - STRADA LOCKER (09>) Traba guía de pistón: \varnothing 48 mm Sistema: ATE



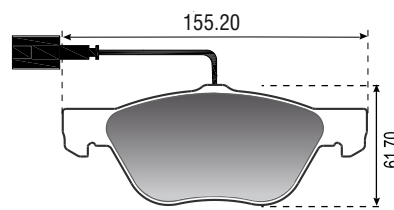
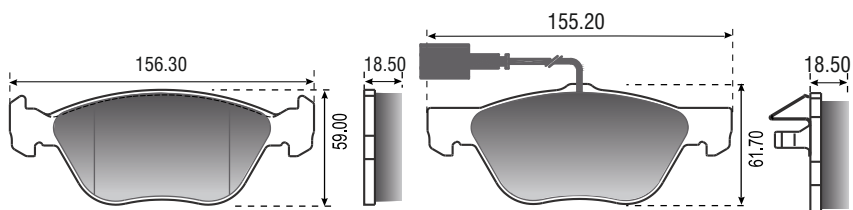
349C

STRADA LOCKER (2009>)
Traba guía de pistón: \varnothing 50.3 mm Sistema: ATE



349B

IDEA 1.8 ADVENTURE (05>10) - DOBLO 1.8 ADVENTURE (10>) - LINEA 1.4 T-Jet - LINEA 1.9 (10>) - PALIO WEEKEND ADVENTURE LOCKER 1.8 (09>10) - STRADA LOCKER (09>) Traba guía de pistón: \varnothing 48 mm Sistema: ATE

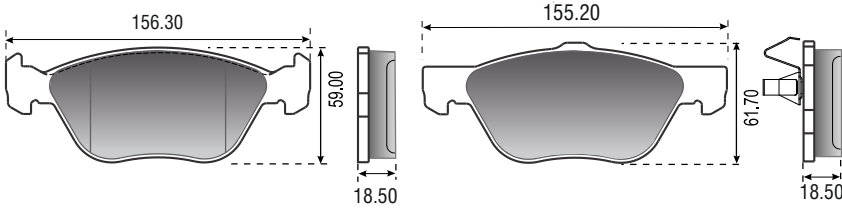


Pastillas para Freno / Brake Pads

FIAT

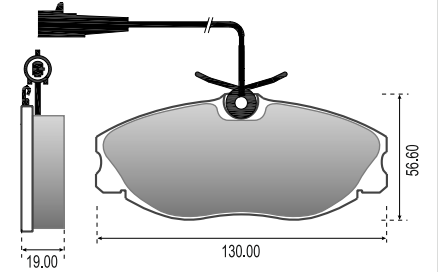
349D

STRADA LOCKER (09>)
Traba guía de pistón: ø 50.3 mm
Sistema: ATE



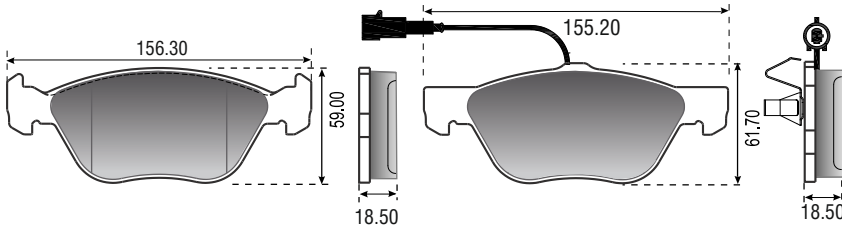
383B

MAREA - MAREA WEEKEND 2.4 20V
Sistema: LG



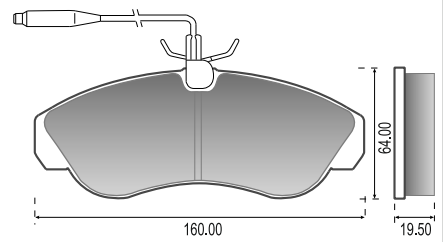
349E

DOBLO 1.8 16V(10>) - IDEA - PALIO
Traba guía de pistón: ø 50.3 mm
Sistema: ATE



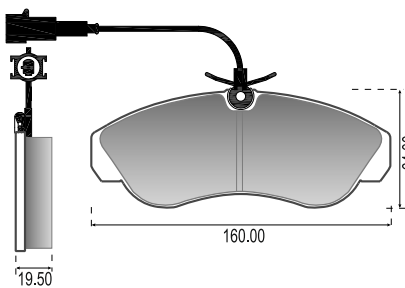
389

DUCATO 2.5 TURBO MAXI (93>97) - 2.8 15 MAXI / 2.8T 15 MAXI (97>99)
Sistema: LG



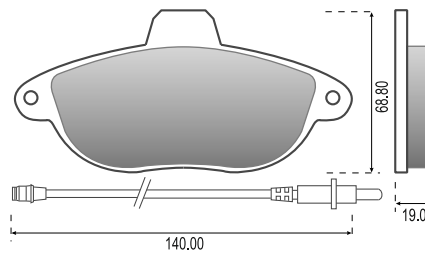
389A

DUCATO MAXI 2.8 TURBO (00>12) (ARO16")
Sistema: LG



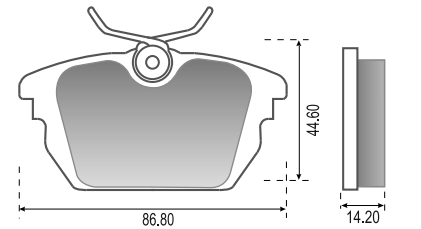
390

SCUDO 1.6, 1.9D, TD (96>)
Sistema: BX



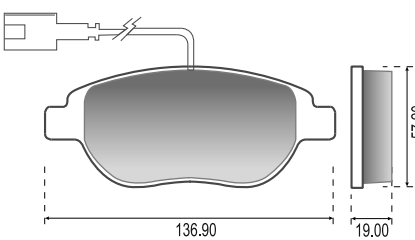
402

BRAVO 2.0 20V, 1.8i 16V, COUPE 1.8 16V, 2.0 16V Turbo (95>) - MAREA 1.8 16V, 1.9 TD MAREA WEEKEND 2.0i 20V, 2.4 20V, 2.4 TD (96>)
Sistema: LG



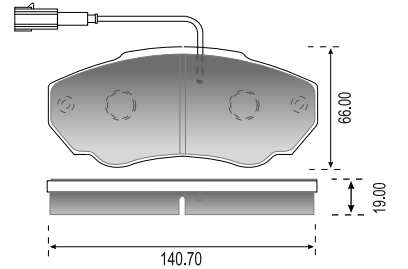
444D

STILO 1.8 16V (03>), 1.9 JTD (10/01>) - 500 ABARTH 1.4 T-Jet (manual)
Sistema: ATE



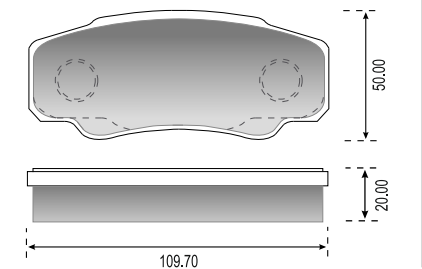
476

DUCATO con sensor pin macho
Sistema: Bosch



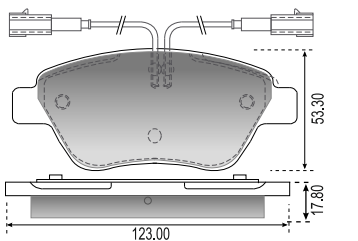
487

DUCATO 10/14 - 11/15 Sistema: Bosch



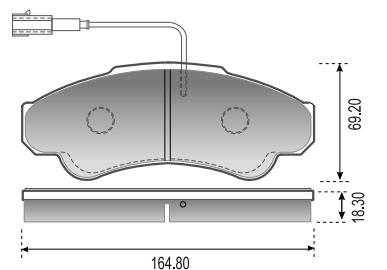
490

STILO 1.2 16V, 1.4 16V, 1.8 8V, 1.8 16V, 1.9 JTD, 2.4 20V 500 1.4 16V (Cult - Lounge - Sport) - BRAVO 1.4 16V, 1.6D Multijet - PUNTO III - GRANDE PUNTO 1.2, 1.4 16V, 1.4 MPI 8V, 1.3D Multijet con sensor pin macho QUBO 1.4, 1.3 D - 500 1.4 8V FIRE EVO, 1.4 16V Multiair (Dualogic / Manual) Sistema: Bosch



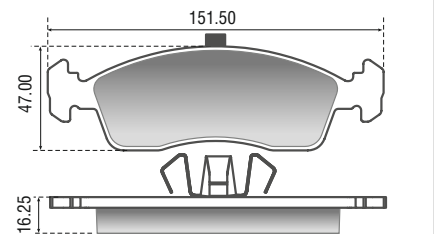
498

DUCATO 2.3JTD Furgon Maxicargo, Furgon Largo Corto, 2.3D Combinato(10>) 2.8 JTD MAXI (Serie 18)
Sistema: Brembo



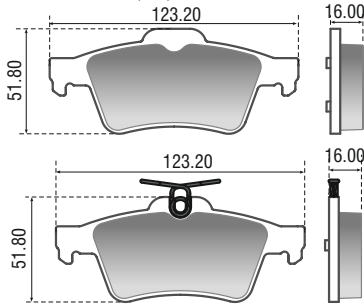
525

UNO ATTRACTIVE 1.4 EVO 4P - UNO VIVACE 1.0 EVO 4P - UNO WAY 1.0, 1.4 EVO 4P (10>) - GRAND SIENA ATTRACTIVE/TETRAFUEL 1.4 8V (12>) - PALIO ATTRACTIVE 1.0 EVO, 1.4 EVO (12>) Sistema: ATE



526

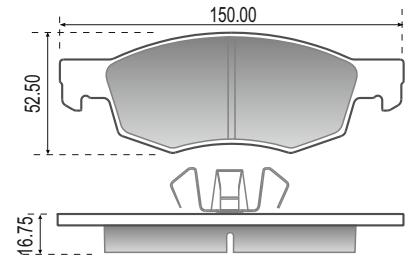
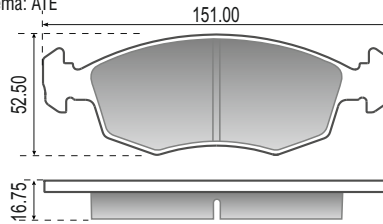
CROMA 1.8, 1.9, 2.2 (05>)



547

GRAND SIENA 1.6L 16V (13>) - FIORINO 1.4 MPI 8V (14>) - STRADA - ADVENTURE 1.8 (14>) - PUNTO - DOBLO 1.4 16V, 1.8 (09>)

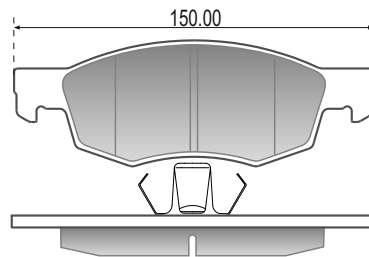
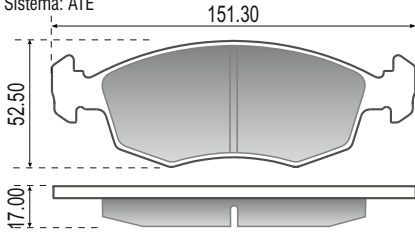
Traba guía de pistón: \varnothing 50.3 mm
Sistema: ATE



547A

GRAND SIENA - DOBLO 1.3 16V, 1.6 16V, 1.8 8V (02>09)

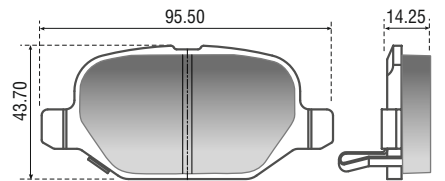
Traba guía de pistón: \varnothing 43 mm
Sistema: ATE



559

500 - PUNTO (2008>)

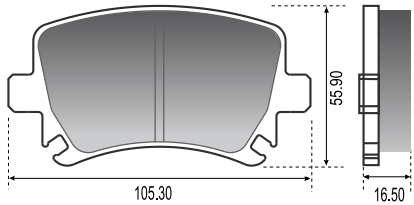
Sistema: LG



D1108

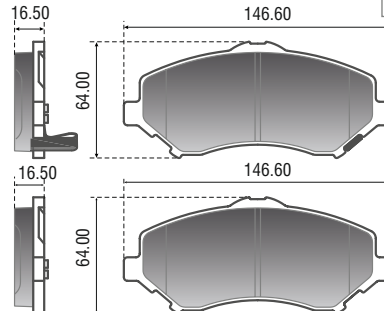
DOBLO 1.9D

Sistema: LG



D1273

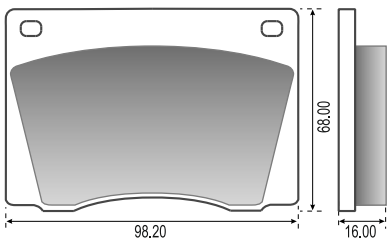
FREEMONT EMOTION / PRECISION 2.4 16V (11>)



010

FALCON (74>80) - RANCHERO - FAIRLANE (71>91)

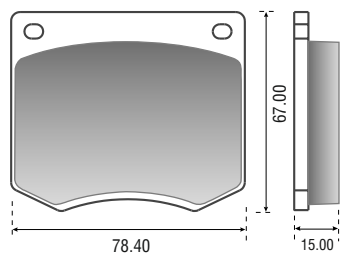
Sistema: Varga



016

TAUNUS Importado

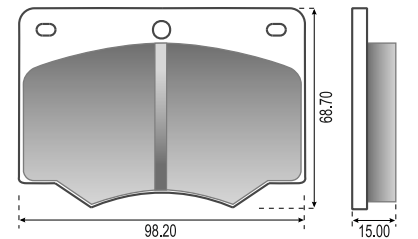
Sistema: Varga



020

TAUNUS L - GHIA - GL - GT - SP (76>85)

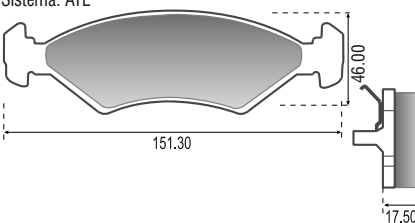
Sistema: Varga



027

SIERRA L 1.6 (85>) - XR4 - ESCORT 1.6, 1.8 - XR3 (>92) - ORION 1.6 DL, L, GL, GHIA (95>) - HOBBY - VERONA GL (89>93)

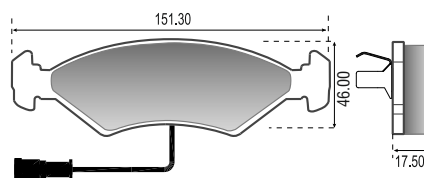
Traba guía de pistón: \varnothing 43 mm
Sistema: ATE



027B

ESCORT 1.6, 1.8 (83>92) - HOBBY (93>96) - XR3 (84>92) - SIERRA 2.3 - VERONA (1 sensor)

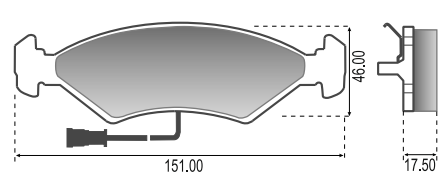
Traba guía de pistón: \varnothing 43 mm
Sistema: ATE



027D

ESCORT XR3 GHIA - SIERRA GHIA - XR4 2.3 VERONA GLX (84>) (2 sensores)

Traba guía de pistón: \varnothing 43 mm
Sistema: ATE



FIAT

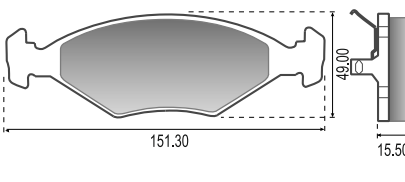
FORD

Pastillas para Freno / Brake Pads

FORD

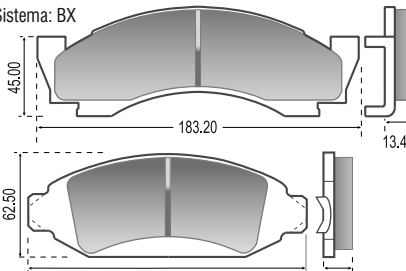
029

GALAXY 2.0 GHIA - VERSAILLES GL, GLS (90>94)
 Traba guía de pistón: \varnothing 37 mm
 Sistema: ATE



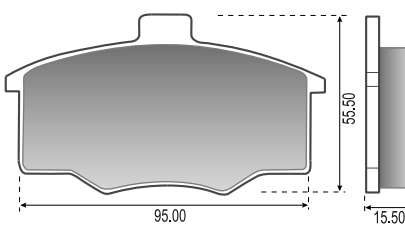
D50

F-100 - F-150 - F-150 4X4 - F-150 RANGER (79>83)
F-2000 (80>85) - F-1000 TURBO (90>94)
 Sistema: BX



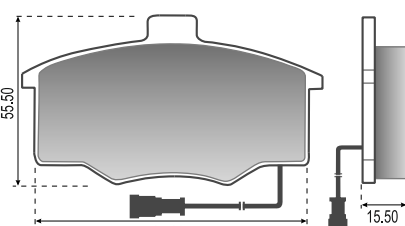
059

DEL REY (84>91) - PAMPA 4X2, 4X4 - SCALA (84>)
 Sistema: Varga



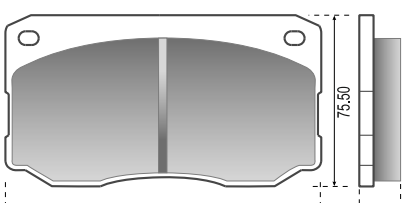
065

DEL REY (84>91) - PAMPA 4X2, 4X4 - SCALA (84>)
 Sistema: Varga



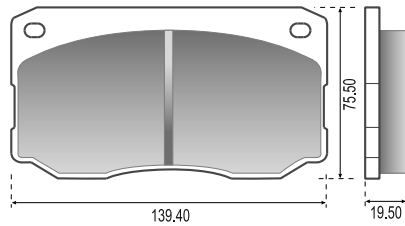
068

F-400 (92>) - F-4000 (85>98) - F-4000 TURBO (96>)
 Sistema: Varga



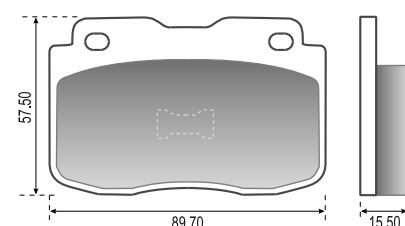
068A

F-4000 TURBO (96>98)
 Sistema: Varga



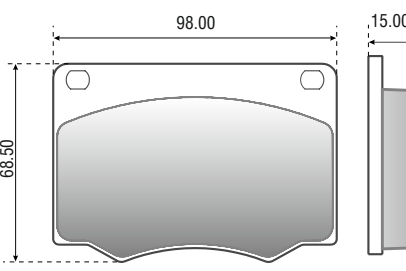
069

PAMPA 4x2 (81>83) - BELINA II - 4x4 - CORCEL II
DEL REY (80>89)
 Sistema: ATE



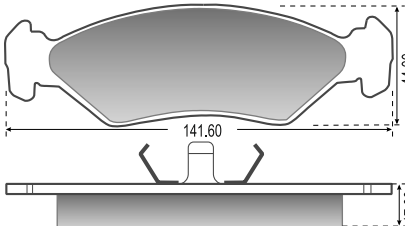
070

TAUNUS, GRANDA, CORTINA
 Sistema: Varga



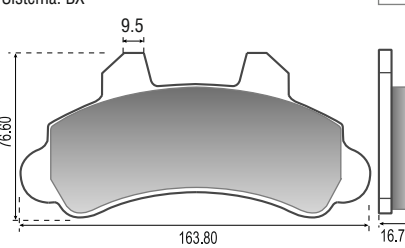
072

FIESTA 1.3 (95>00) - COURIER 1.3, 1.3i, 1.4 16v (97>), 1.6, 1.6 16v (99>), 1.8D (97>) - KA 1.0, 1.3 (97>)
 Traba guía de pistón: \varnothing 37 mm
 Sistema: ATE



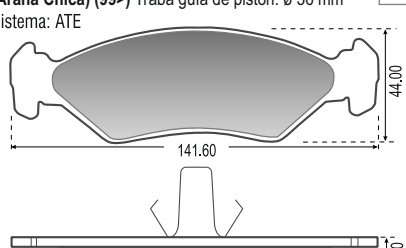
075

F-1000 4X4 (93>94)
 Sistema: BX



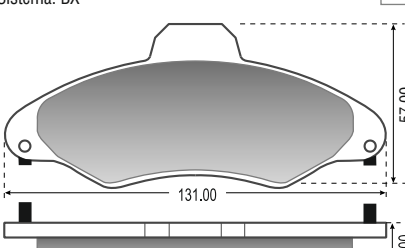
078

FIESTA - KA - COURIER - ESCORT - VERONA (Araña Chica) (99>) Traba guía de pistón: \varnothing 36 mm
 Sistema: ATE



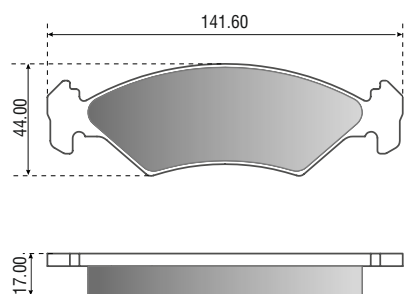
085

ESCORT 1.6, 1.8 16V (94>) - VERONA 1.6, 1.8 (94>96)
 Sistema: BX



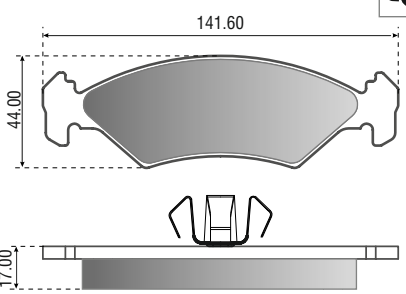
078A

FIESTA 1.0 SOHC - KA 1.0, 1.3 (09>), 1.6 (11>) - Traba guía de pistón: \varnothing 41 mm Sistema: ATE



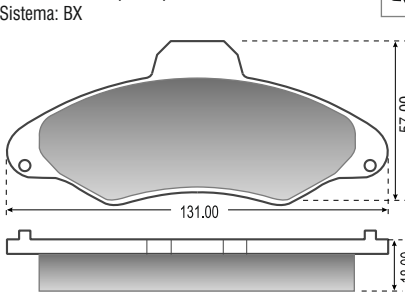
078A

FIESTA 1.0 SOHC - KA 1.0, 1.3 (09>), 1.6 (11>) - Traba guía de pistón: \varnothing 41 mm Sistema: ATE



085N

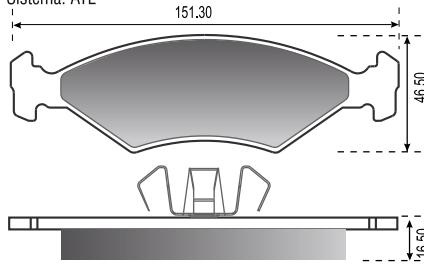
ESCORT 1.6, 1.8 (93>96)
 Sistema: BX



091

COURIER 1.6 (09>) - FIESTA 1.0 SOHC Supercharger
FIESTA 1.6 SOHC (09>)

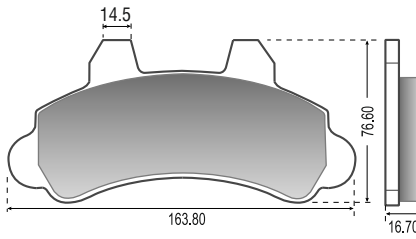
Sistema: ATE



095

F-1000 (99>) - F-100 4X4 4.3 TD, XL, XLT (97>)
F-1000 TURBO (94>)

Sistema: BX

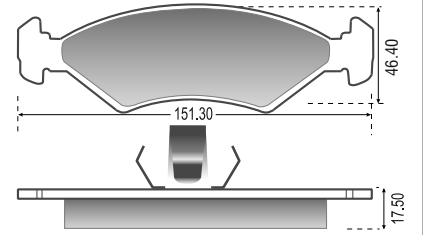


098

FIESTA 1.4 16V (97>99), 1.6 (99>), 1.8D (00>) KA -
COURIER 1.3, 1.3i, 1.4 16V (97>99), 1.6, 1.6 16V (99>)

1.8D (97>) (Araña Larga) Traba guía de pistón: ø 43 mm

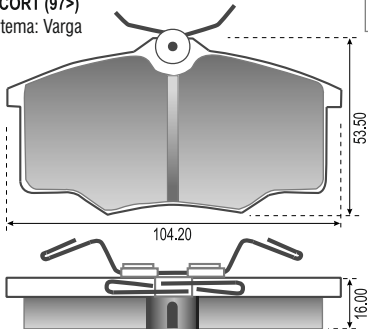
Sistema: ATE



108

ESCORT (97>)

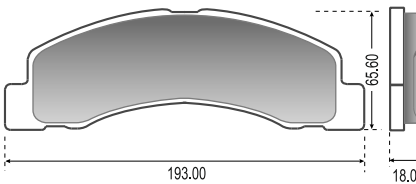
Sistema: Varga



D756

F-100 XL, XLT 3.9 DIESEL SUPER DUTY F-100 XL 4.2
NAFTA SUPER DUTY - F-250 XL / XLT / F-350 (98>)
F-4000 TURBO F-4000 (98>02)

Sistema: Bosch

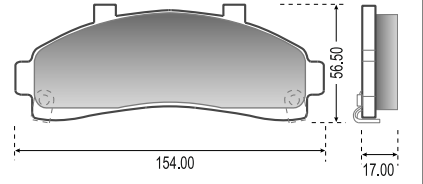


114

D652

EXPLORER - RANGER (95>)

Sistema: BX

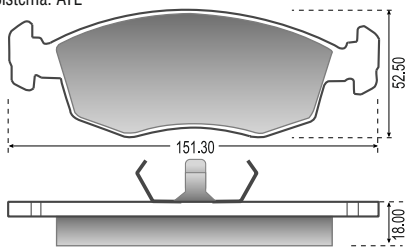


115

120

ESCORT XR3 (94>) - VERONA 2.0 (93>) - GRANADA
(84>92) - ORION (95>) Traba guía de pistón: ø 49 mm

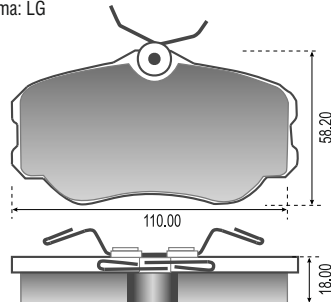
Sistema: ATE



122

GALAXY (95>)

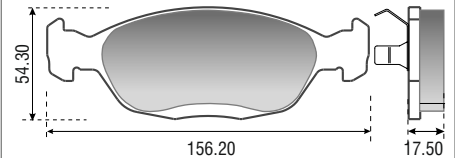
Sistema: LG



123

ROYALE (94>96) - GALAXY - VERSAILLES (94>96)

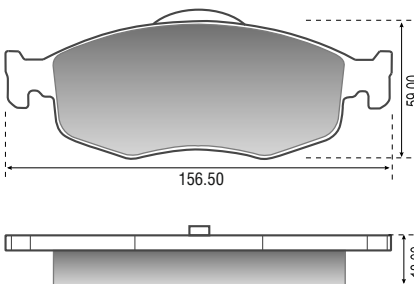
Sistema: ATE



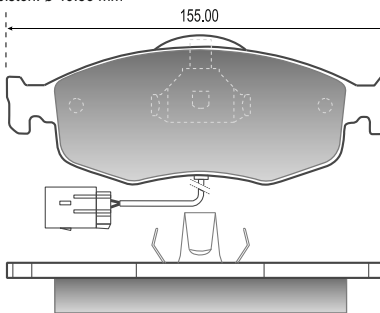
D745

MONDEO 2.0 16V GHIA - CONTOUR 2.0, 2.5 (93>) Traba guía de pistón: ø 49.53 mm

Sistema: ATE



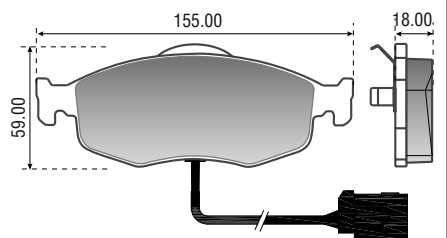
307



307A

MONDEO 1.6, 1.8, 2.0 (93>01) - MUSTIQUE (98>00)
CONTOUR 2.0, 2.5 (94>) cable 220 mm

Sistema: ATE Traba guía de pistón: ø 49 mm

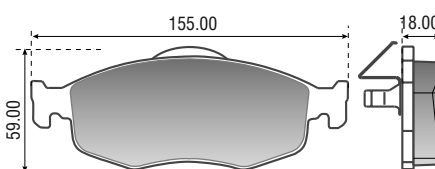


307N

MONDEO 1.6, 1.8, 2.0 (93>01) - COUGAR USA (99>00)
CONTOUR (96>00) - MUSTIQUE 2.0, 2.5 (95>00)

Traba guía de pistón: ø 49.53 mm

Sistema: ATE

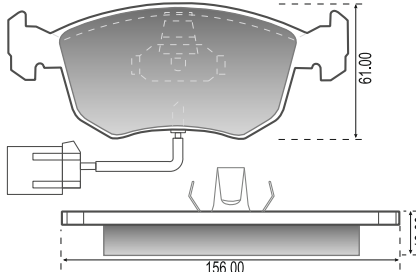


310

MONDEO 1.8 CL, CLX, TD (94>)

Traba guía de pistón: ø 49.53 mm

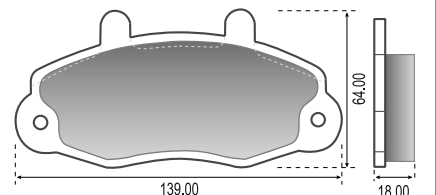
Sistema: ATE



311

TRANSIT Rodado 14" (91>)

Sistema: BX



Pastillas para Freno / Brake Pads

FORD

312

TRANSIT Rodado 15" (91>)
Sistema: BX

D816

FOCUS 1.6 (98>03) - FOCUS 1.8 TDi GHIA, LX, 1.8i 16V LX, CLX, 2.0i 16V CLX, GHIA (98>08)
Traba guía de pistón: \varnothing 50.80 mm
Sistema: ATE

D886

FOCUS 1.8 TDi GHIA, LX, 1.8i 16V LX, CLX, 2.0i 16V CLX, GHIA (98>08)
Sistema: LG

452

TRANSIT Rodado 16" (00>)

468

ECOSPORT 1.0 SOHC Supercharger, 1.4D, 1.6, 2.0 (03>02/09) - FIESTA II 1.4D, 1.6 SOHC c/ABS (02>09) - FIESTA SEDAN (08>09)
Traba guía de pistón: \varnothing 43 mm
Sistema: ATE

469

GALAXY LARGE MPV 1.5 (94>95)

468A

ECOSPORT - FIESTA II (2009>2012)
Traba guía de pistón: \varnothing 50.3 mm
Sistema: ATE

520

EXPLORER (02>05) - RANGER 2.3L (08>)

522

FOCUS (05>07) - ECOSPORT 4x2 1.6, 2.0 (2013>) - AUTOMATICA (09>) - FOCUS II 1.6, 1.8TDCI, 2.0 (2010>), 2.5 (08>) - C-MAX 1.6, 1.8, 2.0 - KUGA I 2.5 turbo 4x4 (10>13) - KUGA II 1.6 GTDI (13>) - Traba guía de pistón: \varnothing 54.00 mm
Sistema: ATE

520

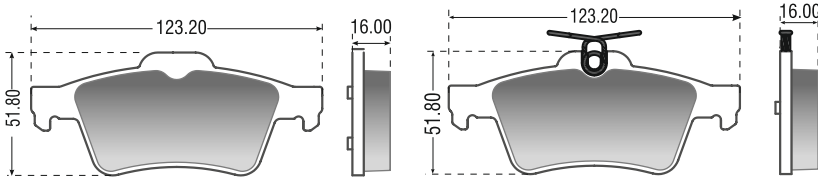
EXPLORER (02>05) - RANGER 2.3L (08>)

522A

FOCUS 1.6, 2.0 (08>) - ECOSPORT 2.0 16V (Automática) (05>09) Traba guía de pistón: \varnothing 45.00 mm
Sistema: ATE

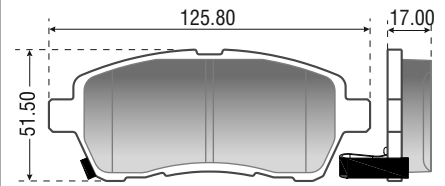
526

FOCUS II 1.6, 1.8TDCi (2010>), 2.0 FOCUS 1.6 HATCH / SEDAN, 2.0 HATCH / SEDAN (08>) - FOCUS SW 2.0 - ZX3 (00>04) / C-MAX (07>) - KUGA I 2.5 turbo 4x4 (10>13) - KUGA II 1.6 GTDI - FUSION - ECOSPORT 4x2 / 4x4 (13>)
Sistema: ATE



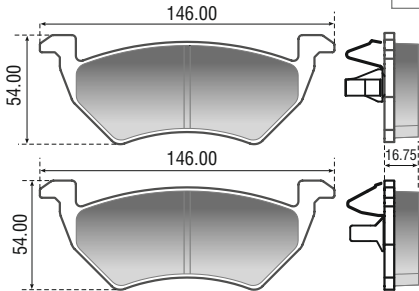
533

FIESTA KINETIC DESIGN 1.6 (12>) SIGMA 1.5 16V FLEX (13>) - KA 1.0, 1.5 (14>) - KA KINETIC DESIGN 1.5 TIVCT 16V
Sistema: Bosch



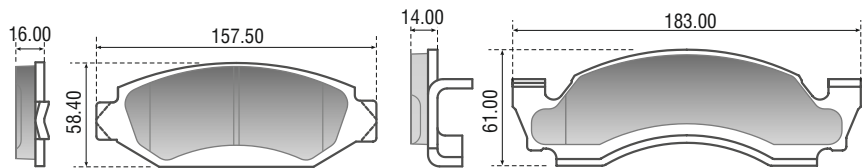
536

ESCAPE (08>09) - ESCAPE 4X4 (05>09)



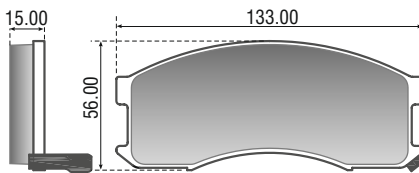
D375

BRONCO 2.9 (88>93) - ECONOLINE 4.9 - F-150 5.8



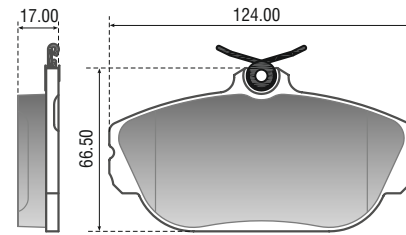
D428

PROBE 2.2, 3.0 V6



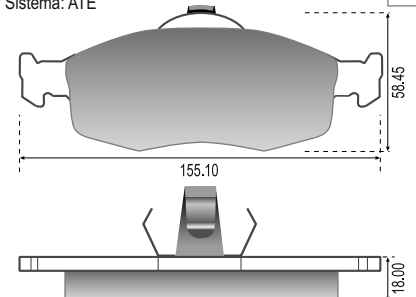
D601

TAURUS (94>02) - TAURUS SW (91>95) - WINDSTAR (95/97)



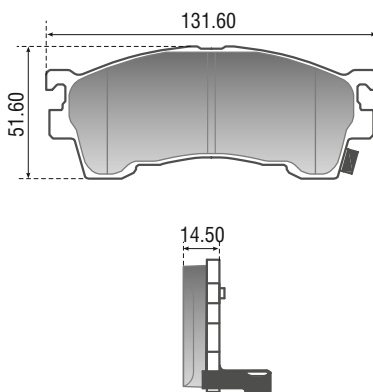
D648

MONDEO 1.8 CL, CLX TD s/sensor
Sistema: ATE



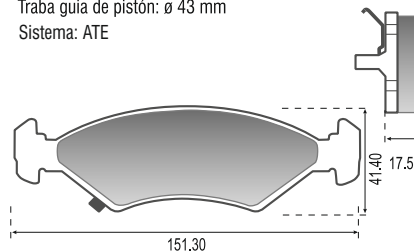
D637

PROBE (93/97) - LASER - ALLEGRO 1.8



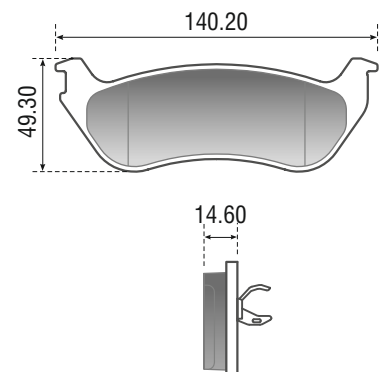
D649

SIERRA L 1.6 (85>) - XR4 - ESCORT 1.6, 1.8 - XR3 (>92) - ORION 1.6 DL, L, GL, GHIA (95>) - HOBBY - VERONA GL (89>93)
Traba guía de pistón: ø 43 mm
Sistema: ATE



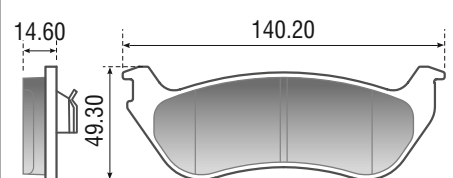
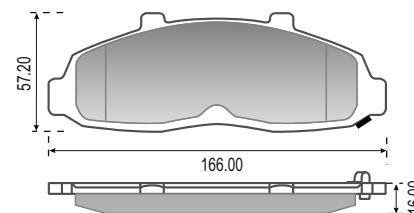
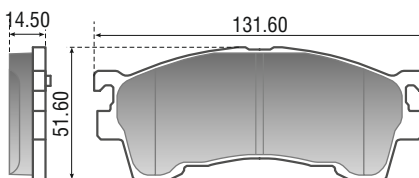
D881

EXPLORER (02>05) - EXPLORER SPORT TRAC (01>08) Sistema: KH



D679

F-150 (97>08) - F-150 4X4 (99>03) - LOBO (97>03)

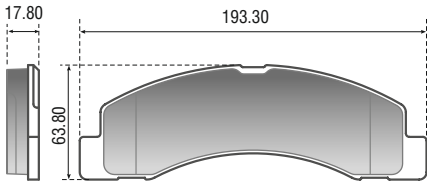


Pastillas para Freno / Brake Pads

FORD

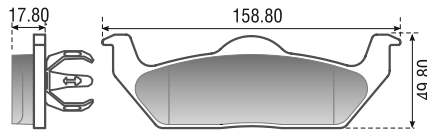
D824

EXCURSION (01>05) - F100 4x2, 3.9 TD - XL - XLT (99>) - F250 XL - XLT (98>) - F250 XLT 4x2 (00>) F350 (98>) - F4000 Turbo (02>) - F4000 Turbo (98>01)
Sistema: Bosch



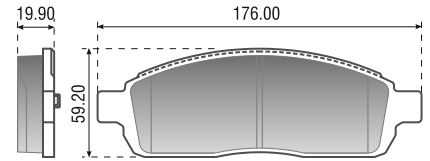
D1012

FORTALEZA FX4 (05>) - F-150 (04>08) - LOBO (04>)



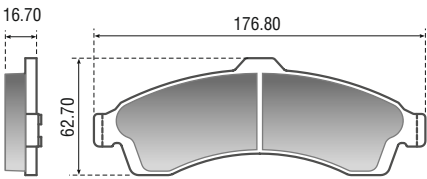
D1083

F150 (FORTALEZA) 4x4 (04>08) - LOBO (04>)



D882

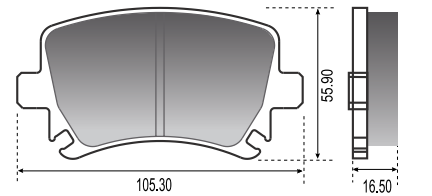
GALAXY



D1108

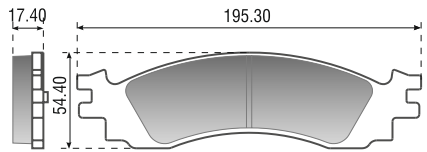
GALAXY 2.0, 2.3 (95>06)

Sistema: LG



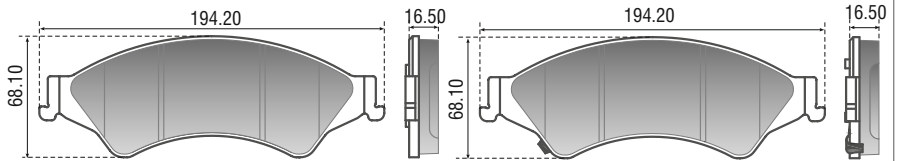
D1158

EXPLORER - SPORT TRAC (06>08)



D1676

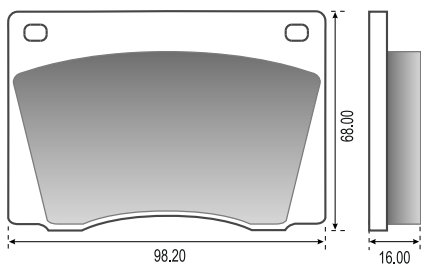
RANGER 3.2 4x4 (2013>)



GENERAL MOTORS

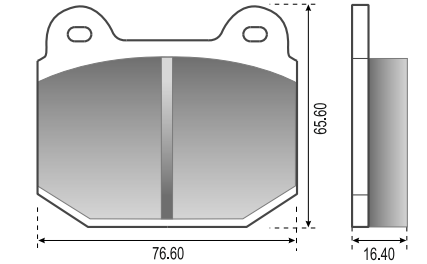
010

CHEVY SS (74>78) , 400 RALLY
Sistema: Varga



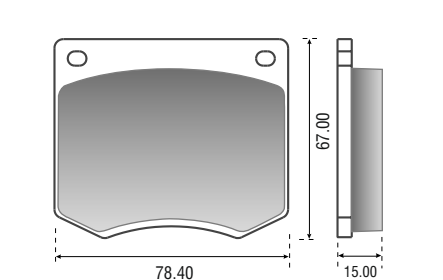
012

OPEL K 180 (73>78)
Sistema: BX



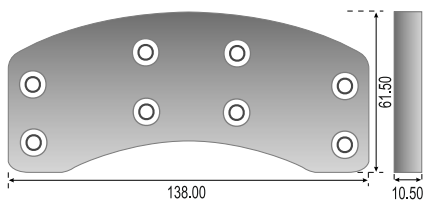
016

CARAVAN
Sistema: Varga



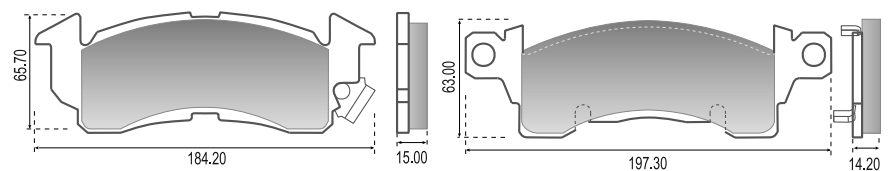
022

PICK-UP s/respaldo (93>)
Sistema: BX



D52

PICK UP C10 SEVEL (86>) - ASTRO VAN 2WD (85>95) - C10 (72>86) - C20 (85>87) - C30 (80>91) G20(76>94) - CAPRICE (77>82) - CHEVELLE (71>75) - CHEVY NOVA (73>79) - IMPALA (71>78) MALIBU (70>78) - SUBURBAN 5.7L (87-91)
Sistema: BX



032

034

CHEVETTE (80>) - CHEVY 500 - HATCH - MARAJÓ (73>93)
Sistema: ATE

D50

PICK UP A/C/D-10 - BONANZA (90>94) - VERANEIO (79>94) - A/C/D-20 (85>93) - A/C/D-14, C/D-15 (79>85)
Sistema: BX

042

IPANEMA - KADETT 1.8 GSI (90>96) - KADETT GSI MONZA EFI (92>95), 1.6, 1.8, 2.0 (89>96)
Sistema: Varga

065

IPANEMA - KADETT 1.8 GSI (90>96) - KADETT GSI MONZA EFI (92>95), 1.6, 1.8, 2.0 (89>96)
Sistema: Varga

070

GM CARAVAN - COMODORO - OPALA (77>92) - DIPLOMATTA (79>83)
Sistema: Varga

075

PICK UP C20 / D20 / A20 (93>94)
Sistema: BX

079

CORSA - KADETT (>91) - OMEGA (>89) VECTRA (>92) - Línea Opel Alemán

D363

PICK UP LUV 1.6, 2.0, 2.3 (87>99)
Sistema: AK

081

AGILE 1.4 (09>11) - CORSA 1.0 (94>00), 1.4, 1.6 (94>09) - PICK-UP 1.5 (95>09) - CELTA 1.0 (00>09) - TIGRA (99>) - CLASSIC (02>11) - PRISMA (07>11)
Traba guía de pistón: ø 37.00 mm Sistema: ATE

083A

AGILE LTZ FLEX 1.4 (09>) - CELTA 1.0 (09>), 1.4 (11>) - CORSA 1.4, 1.6 (99>11) - CLASSIC (10>) - PICK-UP 1.6 (99>10) - MONTANA 1.4 8V (10>) - PRISMA 1.4 8V (09>14) - TORNADO 1.8 (11>)
Sistema: ATE

095

PICK UP C20 / D20 / A20 (97>99) - BONANZA (94>97) - SILVERADO (97>99) - VERANEIO (94>97)
Sistema: BX

100

VECTRA 2.0 CD, GLS, GSI 16V, 2.2 GLS, 16V (93>96) - OMEGA - SUPREMA 2.0 GL, GLS, 2.2GL, GLS (93>95)
Traba guía de pistón: ø 43.00 mm
Sistema: ATE

103

KADETT GSI (92>95) - MONZA 2.0 EFI (92>96)
Sistema: Varga

105

ASTRA 2.0 - VECTRA 2.0 GL, GLS, 2.2 CD 16V, GL, GLS, GLS 16V (96>) - OMEGA - SUPREMA 2.2 GLS (95>98) Traba guía de pistón: ø 43.00 mm
Sistema: ATE

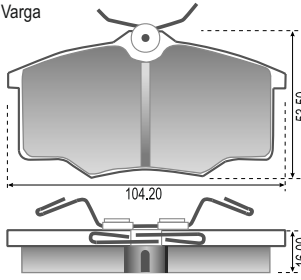
107

S10 4X2 (95>) - S10 4X4 (05>) - BLAZER 4X2 (95>) - BLAZER 4X4 (05>)
Sistema: Varga

Pastillas para Freno / Brake Pads

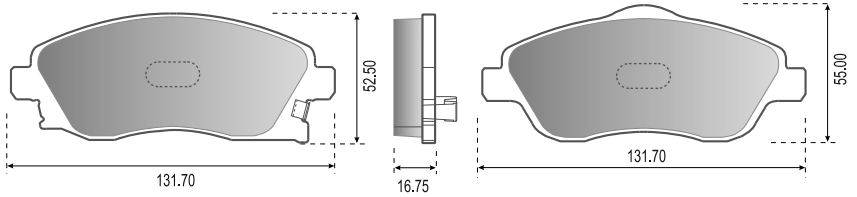
108

CORSA 1.0 (96>00), 1.4 (96>99), 1.6 (96>02) - PICK-UP 1.6 (96>09), 1.4 (96>99) - IPANEMA - KADETT 1.8, 2.0 (96>98)
Sistema: Varga



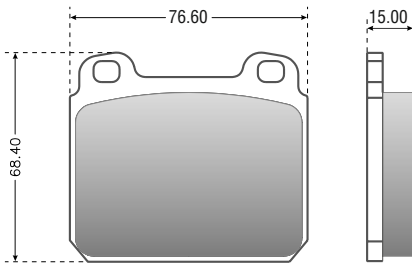
117

CORSA II 1.0, 1.8 (02>) - MONTANA 1.8 (12>) - TORNADO (04>10)
Sistema: Varga



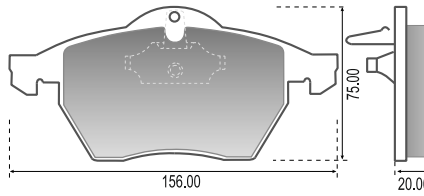
131

CARAVAN todos - COMODORO - DIPLOMATA
OPALA todos (79>92) Sistema: ATE



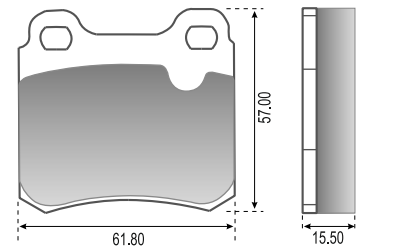
331

VECTRA 2.0 CD 16V (96>98), GLS 2.2 16V (99>),
2.0 CD TD, 2.2 CD 16V (98>), 2.5 CD 24V (99>)
Traba guía de pistón: ϕ 45.97 mm
Sistema: ATE



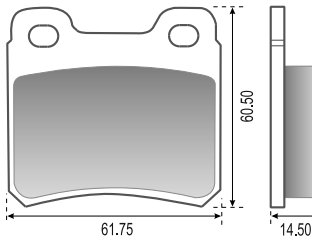
333

VECTRA 2.0 16V CD, GLS, GSi (93>96)
Sistema: ATE



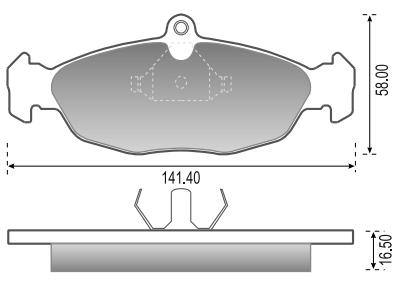
334

OMEGA - SUPREMA 2.0, 3.0 GL, GLS (92>95),
2.2 GL, GLS (94>98) - VECTRA 2.0 16V TD, 2.0 GL,
GLS, CD (96>), 2.5 CD (99>) - ZAFIRA 2.0 GL 8V,
GLS 16V (01>) - MERIVA (02>) Sistema: ATE



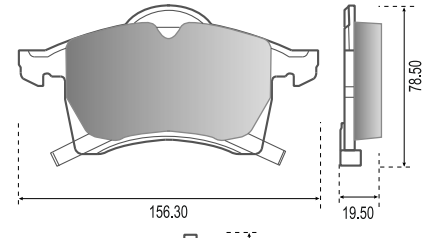
381

COMBO - TIGRA (98>)
Traba guía de pistón: ϕ 37.00 mm



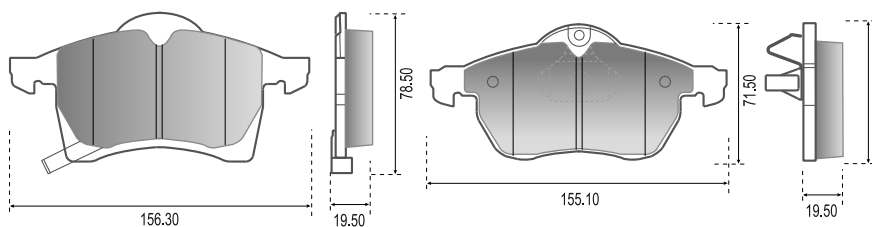
443

ASTRA 2.0 16V - MERIVA 1.8 Rodado 15" (01>)
VECTRA CD 2.0, 2.2 16V, GLS 2.0 (02>) - ZAFIRA 2.0 8V
GL / 2.0 16V GLS (01>) Sistema: ATE
Traba guía de pistón: ϕ 43.00 mm



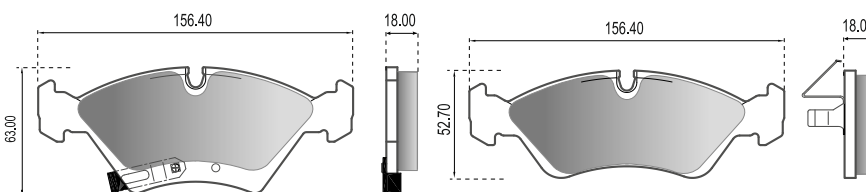
443A

ASTRA 2.0 8V - MERIVA 1.4 8V (10>13) - VECTRA 2.0 (05>12) - ZAFIRA 2.0 16V, 8V (03>12) Rodado 15"
Traba guía de pistón: ϕ 54.00 mm
Sistema: ATE



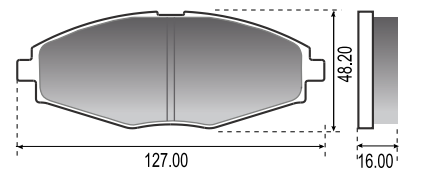
465

MERIVA 1.8 - Rodado 14" / 1.8 8V Rodado 15" (07>) - ZAFIRA 2.0 8V Rodado 14"
Traba guía de pistón: ϕ 43.00 mm
Sistema: ATE



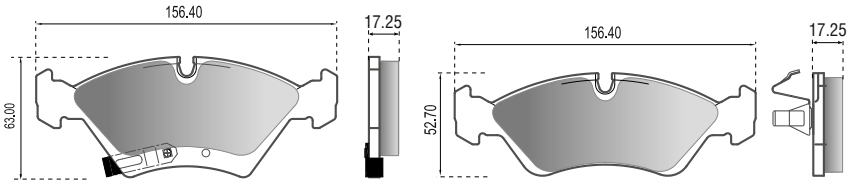
513

SPARK (2008>)
Sistema: AK



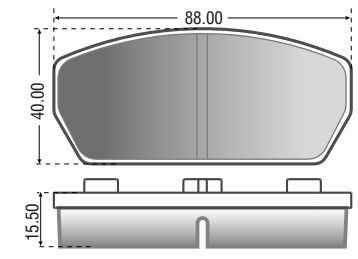
465A

MERIVA 1.8 (10>) - ZAFIRA 2.0 8V
Traba guía de pistón: ø 50.3 mm
Sistema: ATE



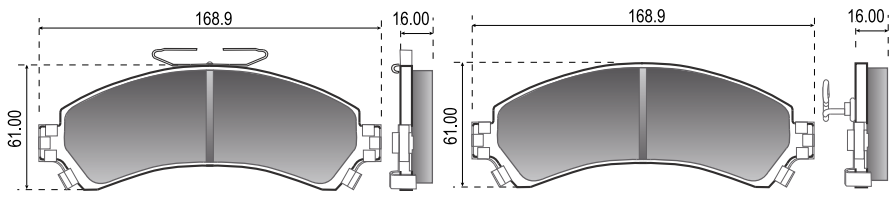
469

OPEL RASCAL VAN 1.0 (90>95)

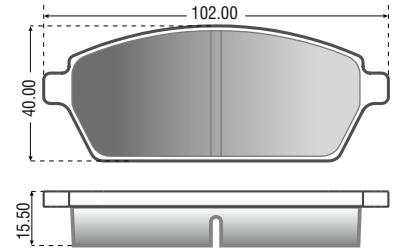


D726

BLAZER / GRAND BLAZER / GM S 10 - 4X4 - 4X2
Sistema: Delphi

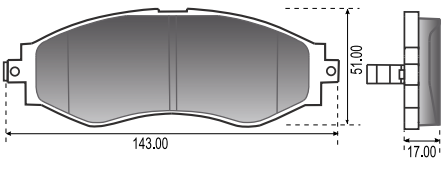


486



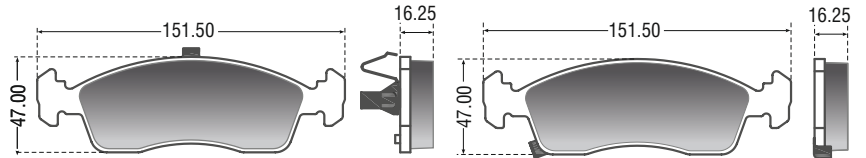
D797 **D1035** **514**

AVEO 1.6 16V (2008>)
Sistema: AK



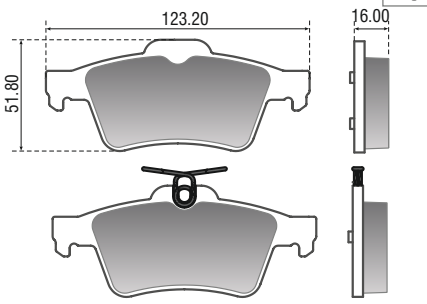
525D

COBALT LS / LT / LTZ 1.4 8V s/ABS - LT / LTZ 1.8 8V, 1.3 TD s/ABS (2012>) - ONIX / PRISMA LS / LT 1.0 8V (2013>) - LT/LTZ 1.4 8V (2013>) Sensor metálico Sistema: ATE



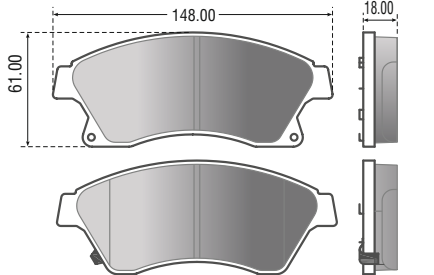
526

VECTRA Sistema: ATE



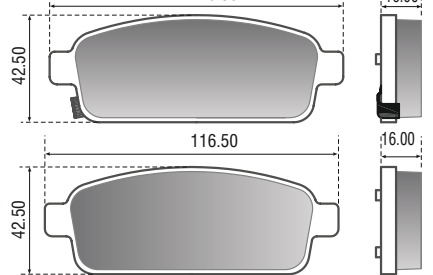
528

CRUZE LT / LTZ 1.8 16V (11>), 2.0D - SONIC (12>) - TRACKER 1.8 16V (13>) (4x2 / 4x4)
Sistema: Bosch



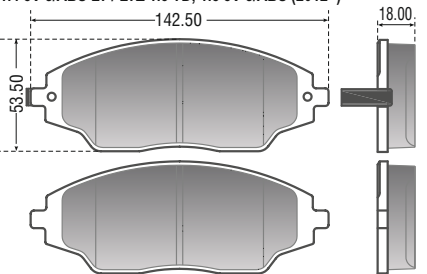
529

CRUZE LT / LTZ 1.8 16V (11>), 2.0D - ASTRA - TRACKER 1.8 16V (4x4) Sistema: Bosch



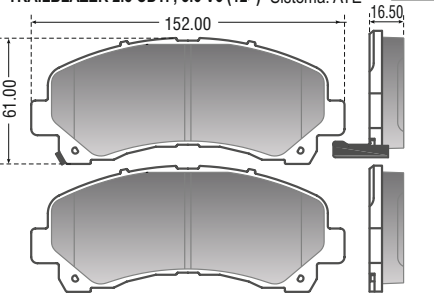
538

SONIC LT / LTZ 1.6 16V (2012>) - AVEO - SPIN LT / LTZ 1.3 TD, 1.8 8V (2012>) - COBALT LS / LT / LTZ 1.4 8V c/ABS LT / LTZ 1.3 TD, 1.8 8V c/ABS (2012>)



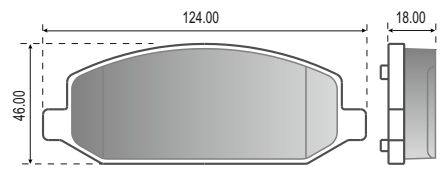
540

S10 2.8TD (4x2 / 4x4) (13>) S10 2.4 FLEXPOR (4x2) - TRAILBLAZER 2.8 CDTi, 3.6 V6 (12>) Sistema: ATE



558

SAIL



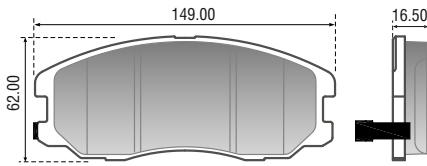
Pastillas para Freno / Brake Pads

GENERAL MOTORS

D1264

CAPTIVA 2.4, 3.6, 2.2 D (09>)

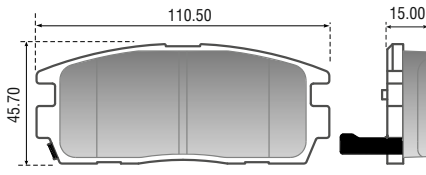
560



D1275

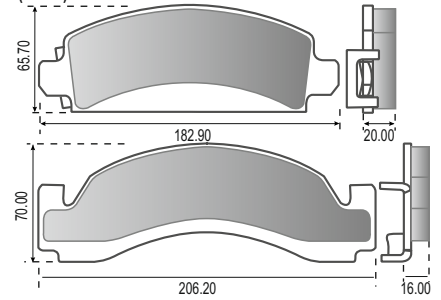
CAPTIVA 2.4, 3.6, 2.2 D (09>)

561



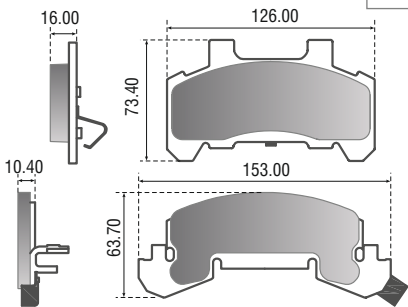
D149

C30 (73>87) - C35 DRW (94>95) - P30 (88>95) - P30 (97>03)



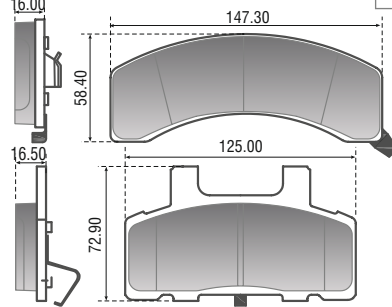
D289

BERETTA 2.2, 2.3, 2.8, 3.1- CAVALIER 2.2, 3.1



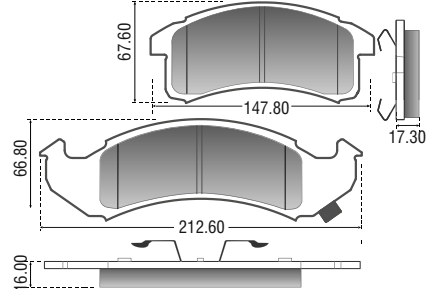
D368

PICK-UP C1500 / C2500



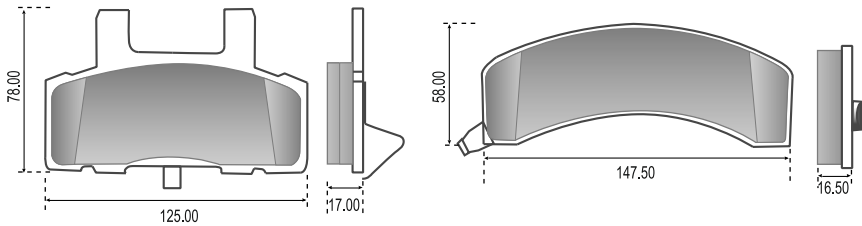
D623

LUMINA - CAMARO Z-28 (95>97) - EIGHTY EIGHT (94>95) - LUMINA APV (95>96) - SILHOUETTE (94>95)



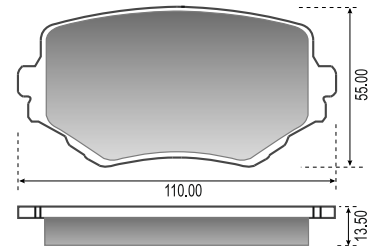
D369

BLAZER - PICK UP (92>96)



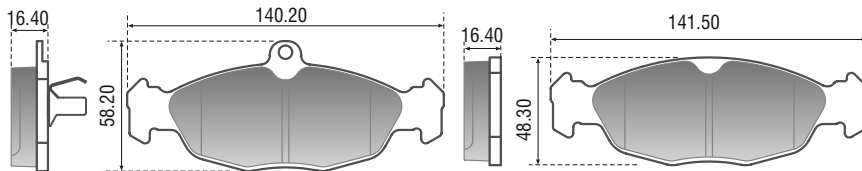
D680

GRAND VITARA - TRACKER 5 P 2.0 TD 4X4 (01>)



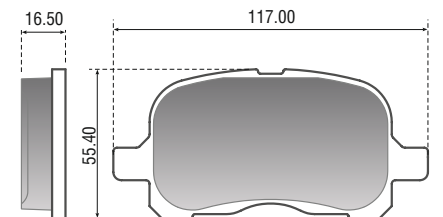
D688

CORSA - VECTRA - ASTRA - TIGRA - COMBO - CHEVY SWING (94>02) - MONZA (97>02)
Sistema: ATE



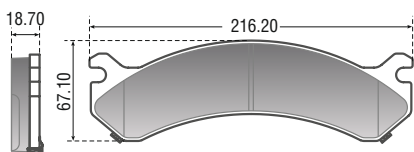
D741

PRIZM (97>02)



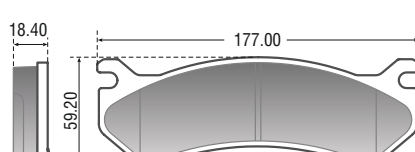
D784

C3500 HD (01>) - AVALANCHE 2500 (02>06) - C-35 (01>06) - EXPRESS CARGO VAN 250 (03>06) - VAN 2500 (03>08) - EXPRESS 3500 (03>) - SILVERADO 1500 (01>) - 1500 HD (01>07) - 2500 (99>04) - 2500 HD (01>) - 3500 (01>) - 3500 HD PBT 12000 (07>) - SUBURBAN 2500 (00>) - SAVANA 2500 - 3500 (03>) - SIERRA 1500 (00>03) - 1500 HD (01>07) - 2500 (99>04) - 2500 HD (01>) - 3500 (01>07) / HD (07>) - YUKON XL 2500 (00>)



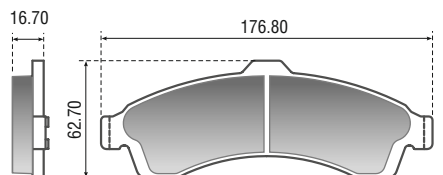
D785

ASTRO - AVALANCHE 1500 (02>) - 1500 4WD - 1500 RWD 2500 (02>06) - C-15 - C-20 - EXPRESS CARGO VAN 1500 - EXPRESS 1500 - 2500 - SILVERADO 1500 /1500 HD /2500 HD (01>07) - 2500 (99>04) - 3500 (04>07) - SUBURBAN 2500 (00>07) - SIERRA 1500 (00>02) - 2500 (99>04) - 3500 (04>) - SIERRA 1500 HD - 2500 HD (01>06) - SAVANA 1500/2500 - SAFARI (03>05) - YUKON 1500 XL (00>96) - 2500 XL (00>07)



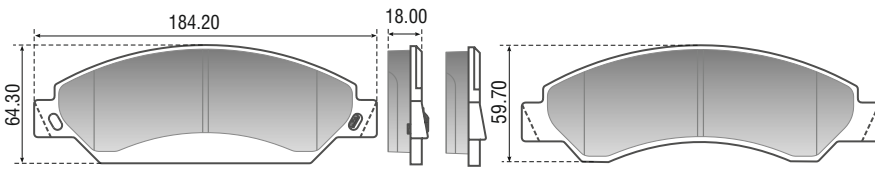
D882

SRR (04>05) - TRAIL BLAZER (02>05)



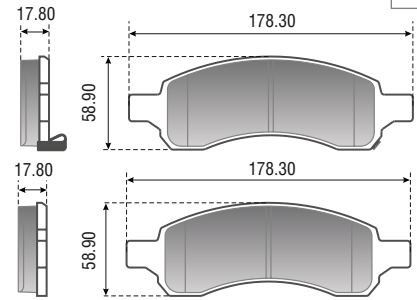
D1092

C-15 SIERRA (07>) - C-15 SILVERADO (05>09) - C-20 (05>06) - EXPRESS CARGO VAN 250 4X4 - 4X2 (07>) - SILVERADO - 1500 (08>) / 2500 (05>07) / 2500 CABINA EXTENDIDA (05>06) - SUBURBAN (07>09) - TAHOE (07>09) - AVALANCHE 4X2 (07>07) 4X4 (07>09) - YUKON (07>09)



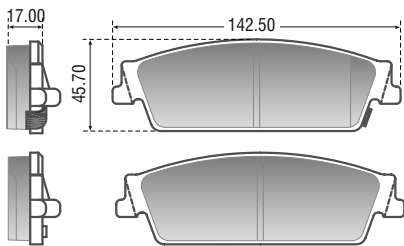
D1169

ACADIA 3.6 (07>09) - TRAILBLAZER (06>07)



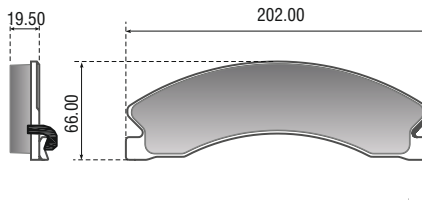
D1194

AVALANCHE 4X2 (07) - AVALANCHE 4X4 (07>09)
C-15 SIERRA (07>) - C-15 SILVERADO (07>09)
GM EXPRESS CARGO VAN 250 4X4 - 4X2 (07>)
TAHOE (07>09) - YUKON (07>09) -



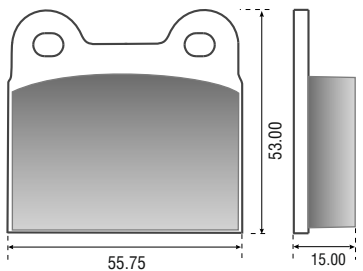
D1411

C2500 - C3500 - EXPRESS 3500 - 4500 - SILVERADO 2500
HD - 3500HD - SAVANA 3500 - 4500



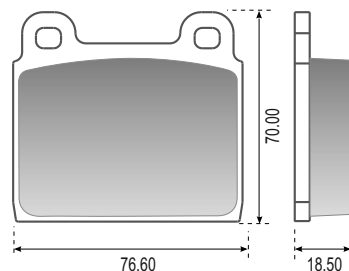
080

X12 - XEF
Sistema: ATE



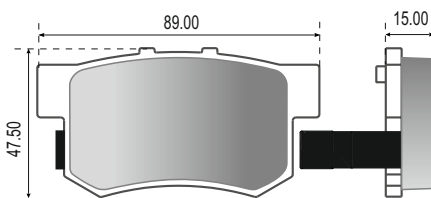
089

CARAJÁS (todos) - TOCANTINS
Sistema: ATE



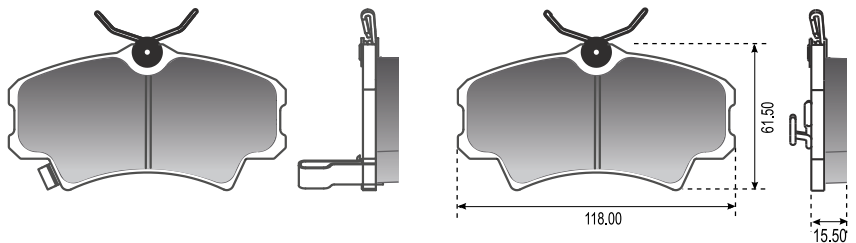
D536

CR-V (02>04) - ELEMENT (03>11) - ODYSSEY (95>98)
Sistema: AK



314

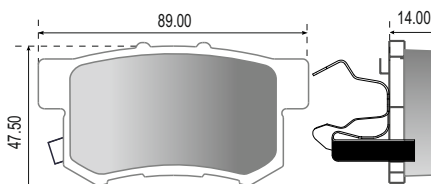
CIVIC (06>11) BRASILEIRO - CIVIC 1.6 16V EX / LX / LXB (99>00) - CIVIC 1.7 16V EX / LX / LXB (01>07)
Sistema: Varga



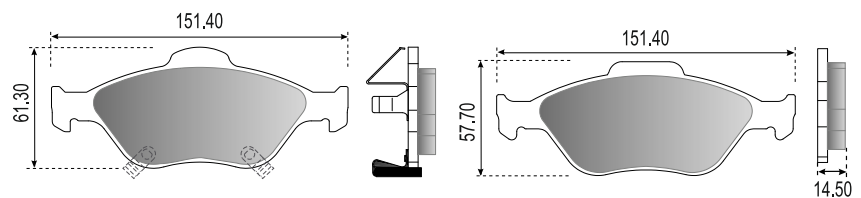
478

314A

CR-V 2.0 i-VTEC 16V 4WD, 2.2 i-CTDi 16V 4WD (07>12)
2.4 i-VTEC 16V 2WD / 4WD (12>) - CIVIC - CR-V (05>06)
Sistema: AK



FIT LX, LXL 1.4 8V (03>08) - EX 1.5 16V (03>08)
Sistema: AK



482

GENERAL MOTORS

GURGEL

HONDA

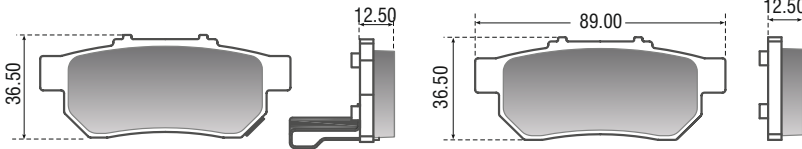
Pastillas para Freno / Brake Pads

HONDA

523

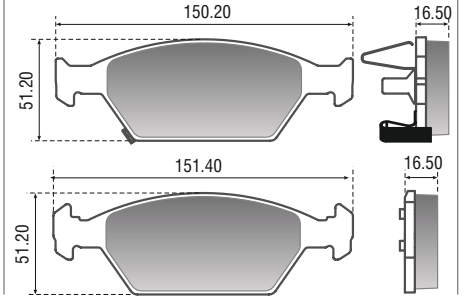
CITY 1.4, 1.5 (05>10) - FIT (JAZZ) 1.3, 1.4 16V - 1.5 16V (09>) - CIVIC 1.3 - 1.6 16V (91>96) - LEGEND - ACCORD 1.8, 2.0 - PRELUDE 2.0 - ODYSSEY - STREAM - CRV - CORCERTO

Sistema: AK



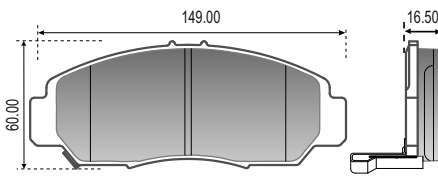
524

CITY 1.5 (09>10) - FIT (JAZZ) 1.4 16V - 1.5 16V (09>) Sistema: ATE



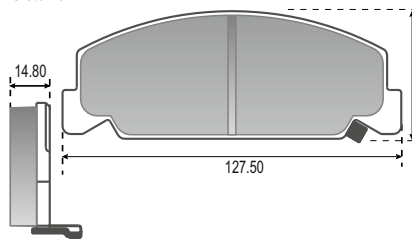
562

CIVIC (12>) Sistema: AK



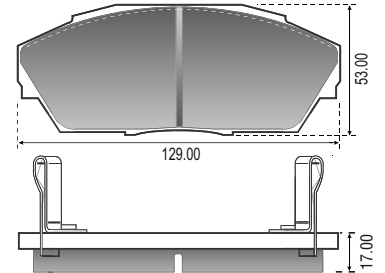
D273

ACCORD 1.6, 1.8 - CIVIC 1.3 - 1.4 - 1.5 - 1.6 (82>92) - CIVIC DX - LX (91>96) Sistema: AK



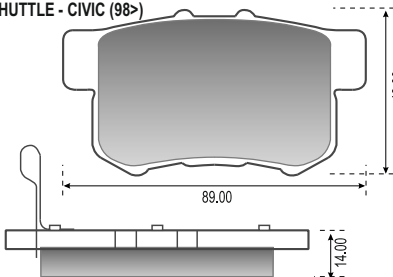
D409

ACURA - ACCORD 2.0, 2.2, 2.3 (88>) - CIVIC 1.5, 1.6, 1.8, 2.0 (90>93) - FIT 1.4 - LEGEND - PRELUDE 1.8 - CRV 2.0 HR-V - ODYSSEY 2.2, 2.3 - INTEGRA Sistema: AK



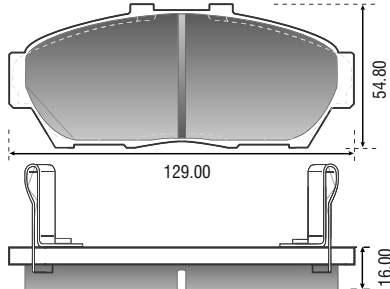
D537

CIVIC 1.8 LXS, 2.0 LXR (13>) - PRELUDE (94>01) - NSX-X ACCORD (90>) - LEGEND - ODYSSEY - CR-V (03>) - SHUTTLE - CIVIC (98>)



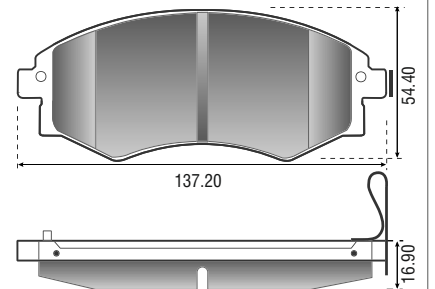
D617

CIVIC (94>96) - CIVIC (99>00) - CIVIC DEL SOL (95>97) CR-V (98>)



D700

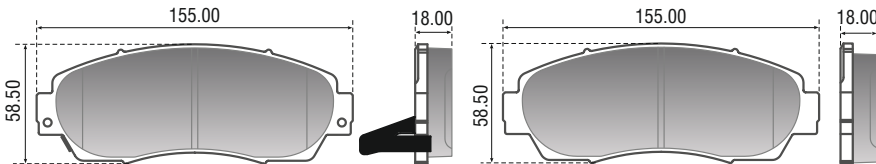
ACCORD 1.8 - CIVIC 2.0 Sistema: AK



D1089

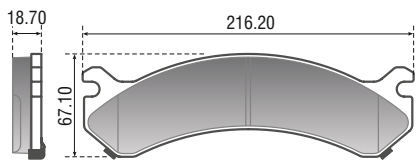
CR-V 2.0 i-VTEC 16V 4WD, 2.2 i-CTDi 16V 4WD (07>12) - 2.4 i-VTEC 16V 2WD / 4WD (07>12) - 2.3 2WD / 4WD (12>) - HR-V (2015>) - ODYSSEY (05>)

Sistema: AK



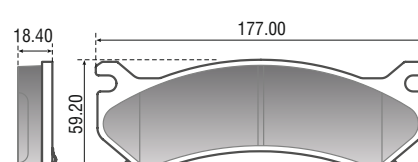
D784

HUMMER H2 (03>07)



D785

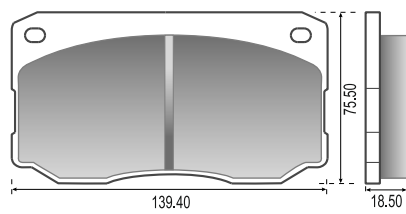
HUMMER H2 (02>06)



HUMMER

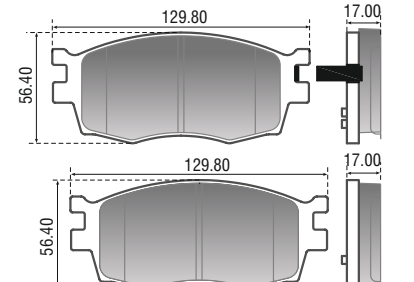
068

COUNTY MINIBUS (99>) - MIGHTY (88>)
Sistema: Varga



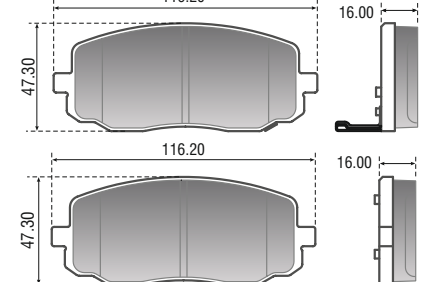
518

ACCENT III 1.4, 1.5, 1.6 16V - EXCEL - PONY - ERA (05>) - I20 1.4,1.6



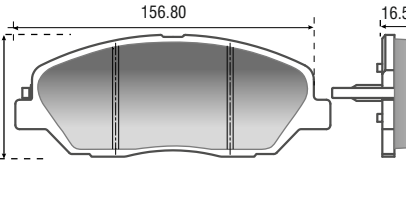
530

I10 1.1 - 1.2 (07>) - I20 1.2 Sistema: AK



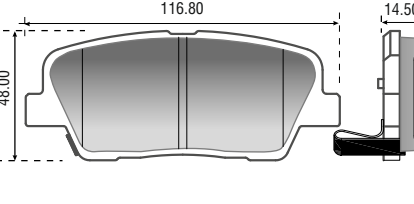
550

SANTA FE 2.7 V6 (06>), 3.5 V6 (11>) - GENESIS 3.8 V6 (08>)
Sistema: Mando



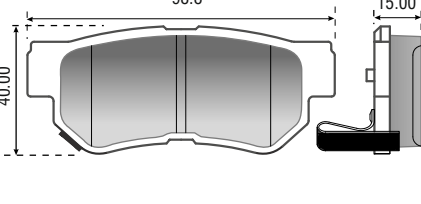
551

SANTA FE 2.4, 2.7, 3.5 16V 4x4 (10>)
Sistema: AK



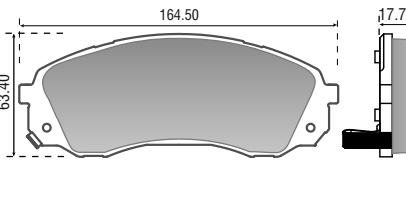
553

SANTA FE (01>) - AZERA (06>) - ELANTRA (07>) - SONATA (99>05) - TUCSON (04>)
Sistema: AK



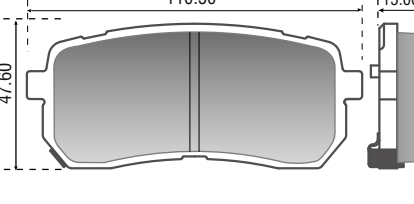
567

H1 (06>10)



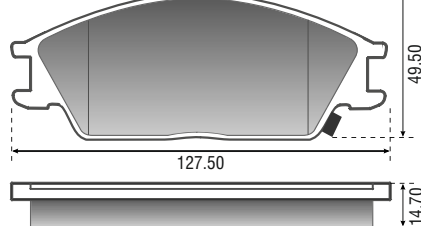
568

H1 (06>10) - VERACRUZ 3.8 V6 (07>)



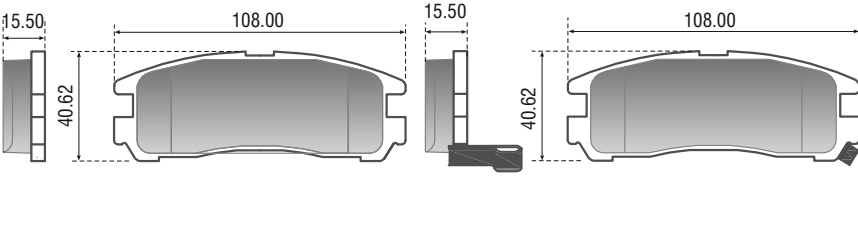
D440

ACCENT 1.3 - 1.5 (94>) - ELANTRA 1.5i (90>) - EXCEL 1.3i - 1.5i (88>95) - SCOUPE (92) - S-COUPE 1.5 (91>96) - STELLAR 1.6 GLS - 2.0 GLS (86>90)



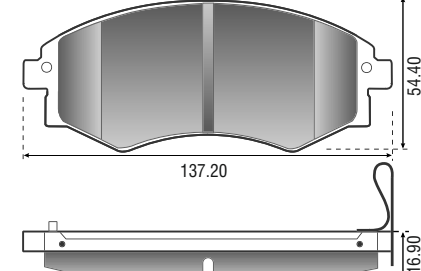
D383

GALLOPER 2.6 - SANTAMO 2.0 (98>)
Sistema: AK



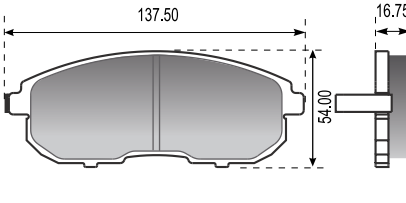
D700

ELANTRA (00) - ELANTRA (96>98) - SONATA (96>97) - TIBURON (97>99) - SONATA - EXCEL - SANTA FE



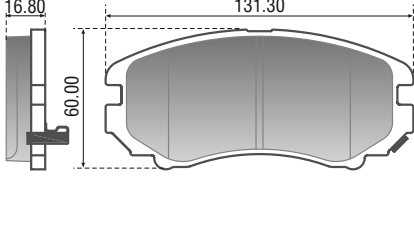
D815

I 30 (00>01) - I 35 (02>03)



D924

TUCSON (04>) - SONATA (03>05) - SOUL 1.6 (2009>) - AZERA (06/)
Sistema: AK



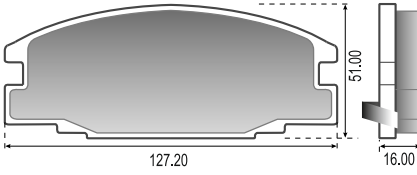
Pastillas para Freno / Brake Pads

ISUZU

D363

TROOPER 2.3 D (92>), 3.2 V6 (93>) - AMIGO (90>94)
RODEO 2.5, 2.8 (91>), 3.2i, 4WD - PICK-UP DIESEL
Sistema: AK

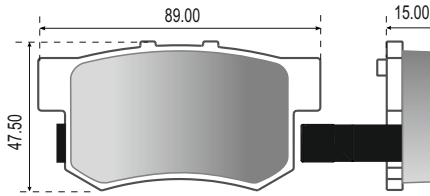
081



D536

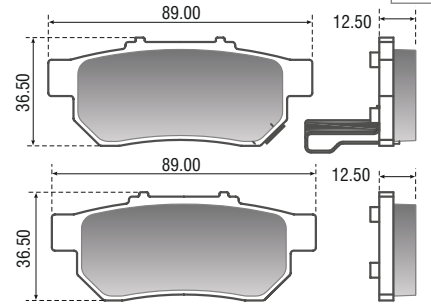
OASIS (96>98)
Sistema: AK

314



523

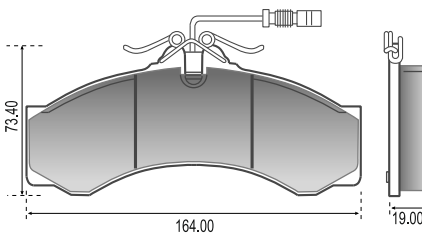
GEMINI 1.6



IVECO

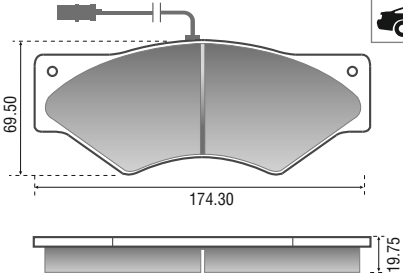
DAILY 35.10 - 49.10 - 49.12 (00>)
Sistema: PT

350



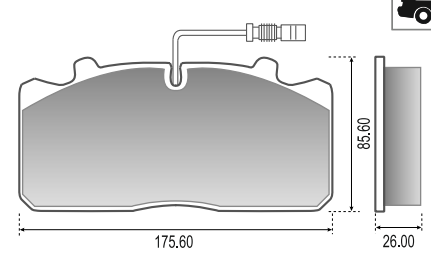
DAILY 59.12 (01>) - 60.12 / 70.12 (03>) - 70.13 (06>07)
SCUDATO 59.12 (01>) Sistema: PT

355



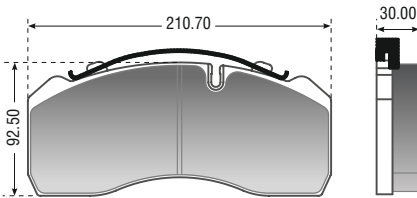
398

IVECO



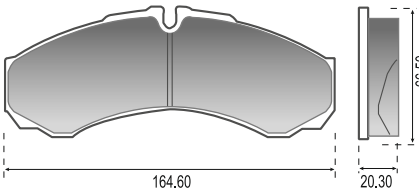
EUROCARGO Llanta 19.5"

400



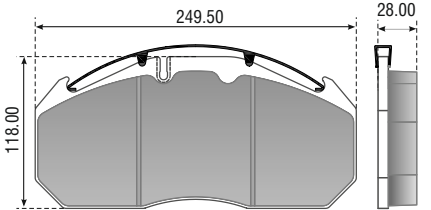
DAILY 35.10, 49.10 (97>), 49.12 (97>), 38.13, 40.13
(05>07), 50.13 (05>07) - DAILY II (00>)

454



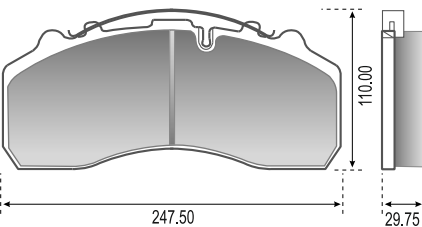
457

DUMPER 40 Ton



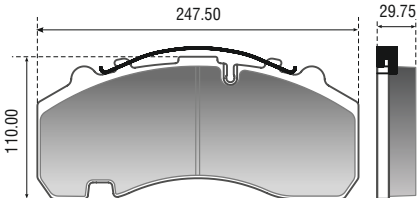
EUROCARGO - EUROTECH - STRALIS - STRATOR
EUROIDER - EUROSTAR - EUROTRAKKER -
TRAKKER

458



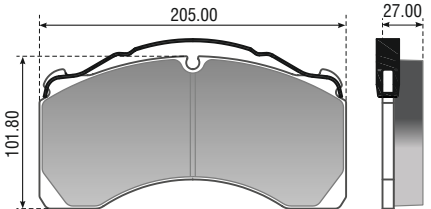
EUROCARGO - EUROTECH - STRALIS
EUROTRAKKER - TRAKKER

493



505

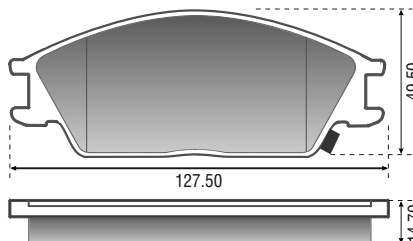
EUROCARGO



JAC

MOTORS J3 TURIN 1.4 16V (11>)

D440



083

XJ8 (98>03) - XJR 4.0L (00>03) - XK8 (98>04)
Traba guía de pistón: ø 37.00 mm
Sistema: ATE

526

XJ 2.7, 3.0 - XK 8 4.2 - S-TYPE 2.7,3.0, 4.2 - XF

D688

XJR - XK8 (98>01)

027

SEPHIA 1.5, 1.6, 1.8 (93>)
Traba guía de pistón: ø 43.00 mm
Sistema: ATE

D652

PREGIO Furgon / Minibus (97>)

129

BESTA 2.2 (93>), 2.7 ST/EST/EST (93>98) / FURGON 2.2 (93>98) - BONGO K-2400 2.4 (93>97) / K-2700 (97>)
Sistema: AK

518

PRIDE 1.4 - 1.6 16V - RIO 1.5,1.6

530

PICANTO 1.0, 1.1, 1.1 CRDi (07>) - MORNING

550

CARNIVAL 2.7 V6 (06>) - MOHAVE 3.0, 4.6, 3.8 V6 - SORENTO (10>)
Sistema: Mando

551

SORENTO (10>)
Sistema: AK

553

SPORTAGE (05>) - MAGENTIS (07>) - CARENS - OPTIMA AMANTI (04>06) - OPIRUS (03>)
Sistema: AK

567

CARNIVAL 3.8 V6 (07>)

568

CARNIVAL 2.7 V6 (06>)

D428

BESTA 2.2

D477

CARNIVAL 2.5 V6, 2.9 TD (99>00)
Sistema: KH

JAGUAR

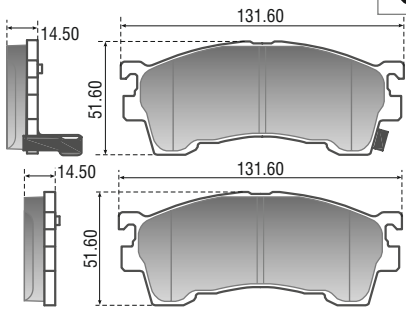
KIA

Pastillas para Freno / Brake Pads

KIA

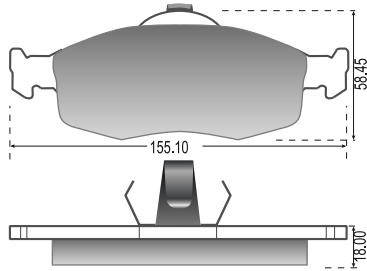
D637

CARENS



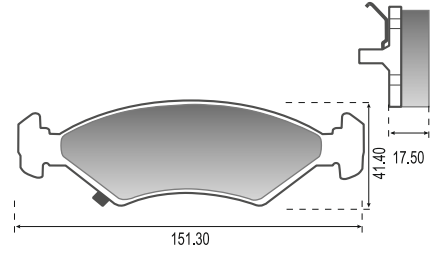
D648

SEPHIA (91>93)
Sistema: ATE



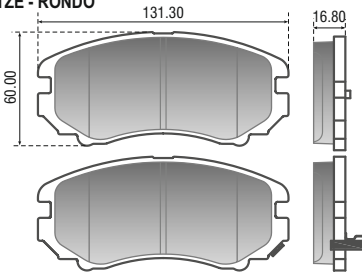
D649

SEPHIA 1.5, 1.6, 1.8 (93>)
Traba guia de piston: ø 43.00 mm
Sistema: ATE



D924

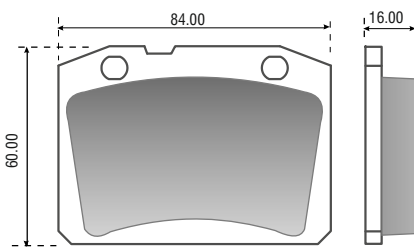
MAGENTIS (07>) - OPTIMA (03>06) - SOUL 1.6,
1.6 CRDi (02-09>) - SPORTAGE (05>10) - VENGA -
LOTZE - RONDO



LADA

O60

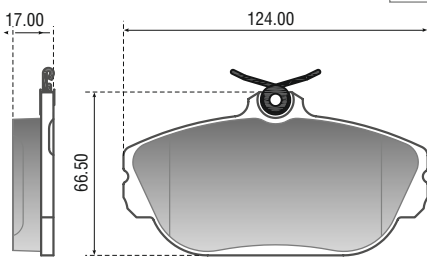
LAIKA 2104 - 2105 - 2106 - 2107 (90>95)
Sistema: BX



LINCOLN

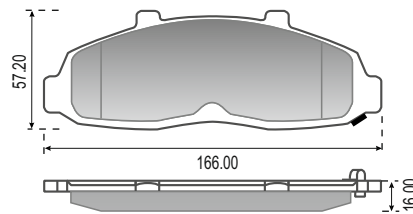
D601

CONTINENTAL (93/02)



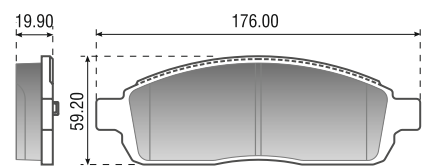
D679

BLACKWOOD (03>)



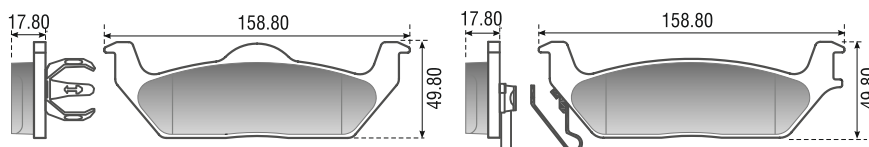
D1083

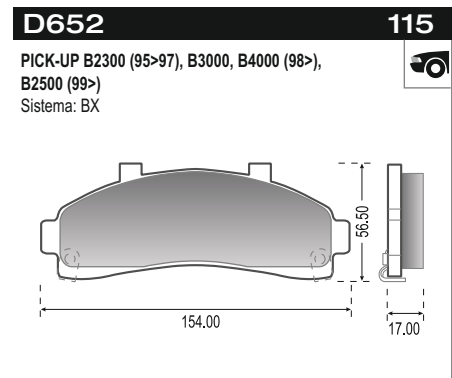
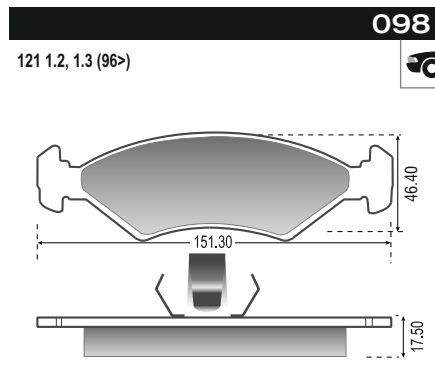
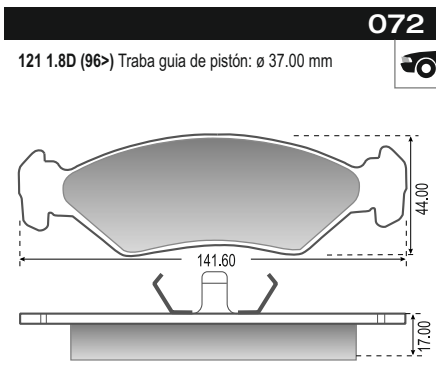
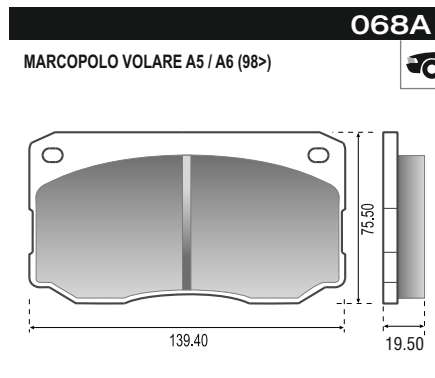
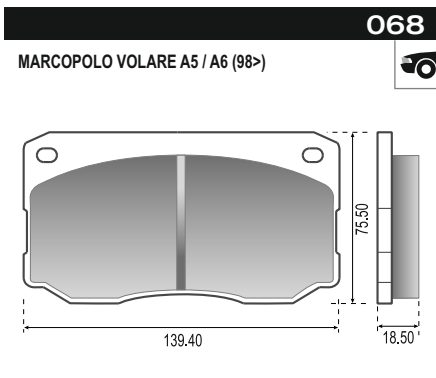
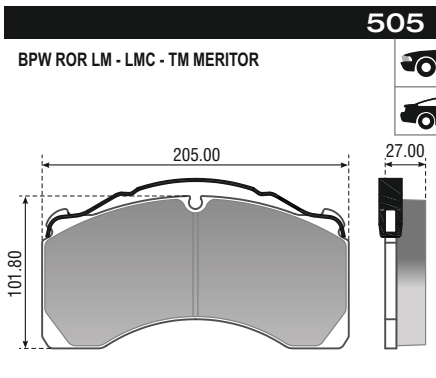
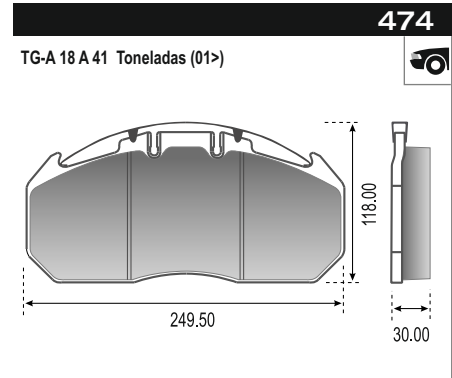
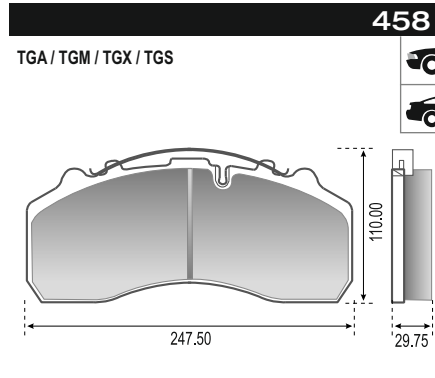
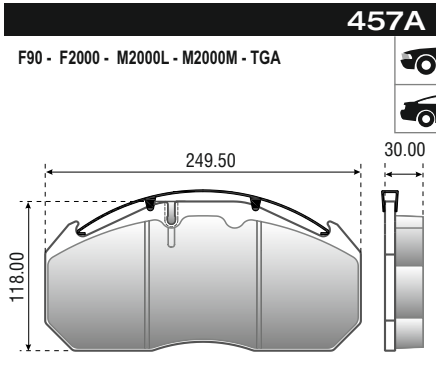
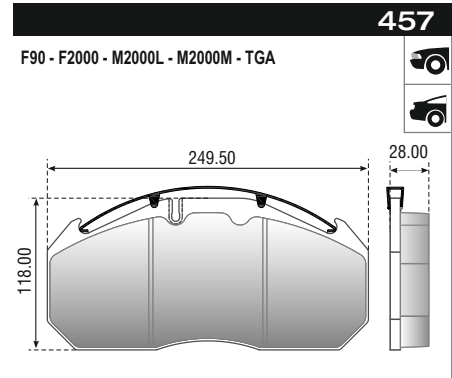
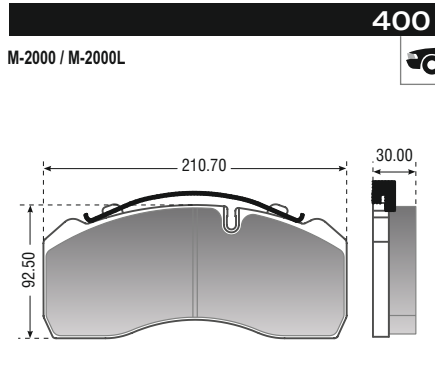
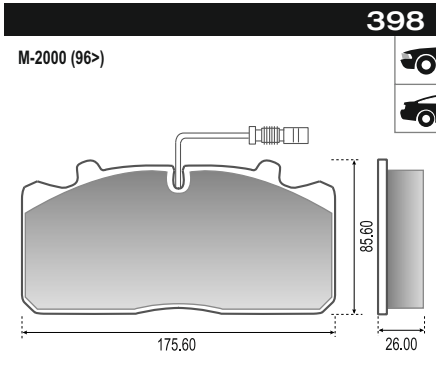
MARK LT (06>08)



D1012

MARK LT (06>08)





MAN

MARCO POLO

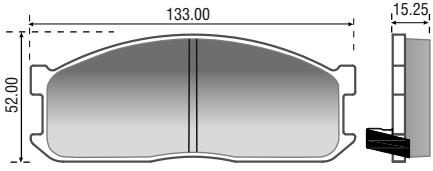
MAZDA

Pastillas para Freno / Brake Pads

MAZDA

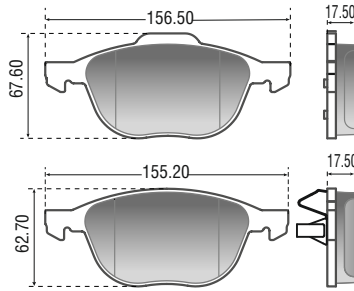
129

626 1.6, 1.8, 2.0, 2.2 (>95)
Sistema: AK



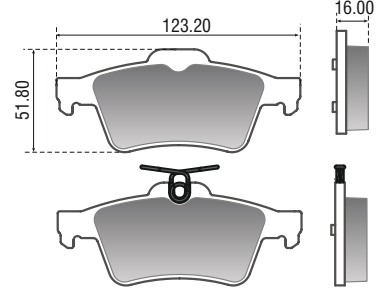
522

MAZDA 3 1.6, 2.0, 2.2 (06>09) - MAZDA 5 (06>09)
AXELA 1.5, 2.0, 2.3 - BIANTE - PREMACY 2.0, 2.3



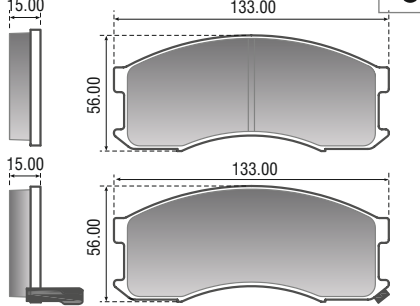
526

MAZDA 3 1.6, 2.0, 2.2 - MAZDA 5 1.6, 2.0 (06>09)
AXELA 2.3 - BIANTE 2.0, 2.3 - PREMACY 2.3



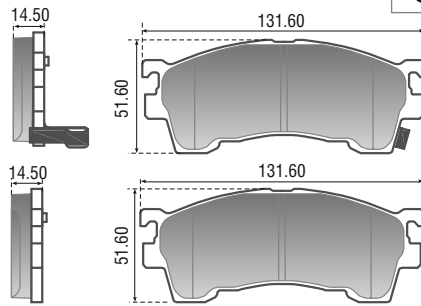
D428

MAZDA MPV 4X4 (89>91) - 626 1.8, 2.0, 2.2 (87>)



D637

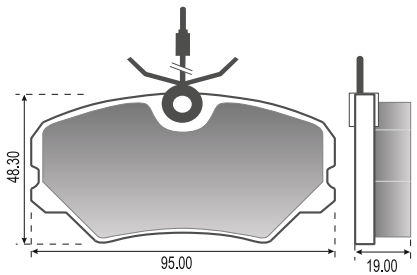
MAZDA PROTEGE (99>00) - MAZDA 626 1.8, 2.0 (94>02)



MERCEDES BENZ

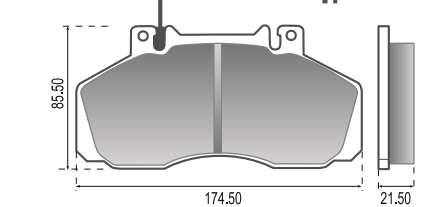
054

190 (12/92>96)
Sistema: LG



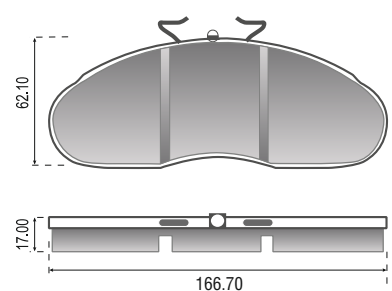
066M

LT-710, L-711D, LT-709, L-809, L-811 (88>96) - LT-712, L-913, L-813 (90>) - L-914 (90>95), OF-812 (92>) - L-814, LO-812 (88>96) - LO-814 (96>98), LO-912 (88>), 1114 6x2 (BR) (94>) - 508 VAN ECOVAN, 609 D, 709 D (91>) - 709 (88>96) - 710 (90>) - 712, 715 (92>94) - 914 (95>98)
Sistema: Varga



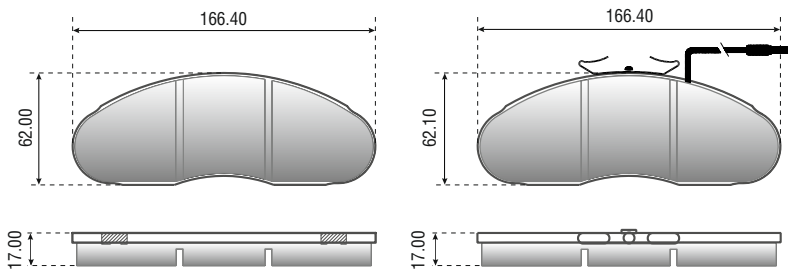
067

L-180, M-180D (93>96) - RVI TRUCKS - SAVA
Sistema: BX



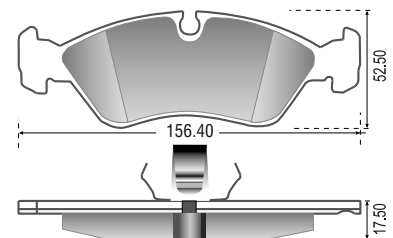
094

MB-180 D (94>96) - O-100



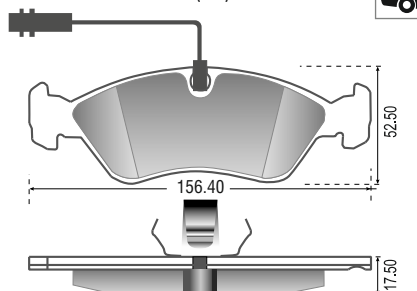
105

SPRINTER 311CDi - 313 CDi (2001>)
Traba guía de pistón: ø 43.00 mm
Sistema: ATE



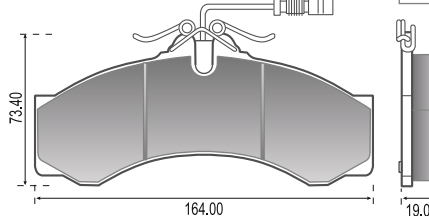
105D

SPRINTER 311 CDi / 313 CDi (02>)



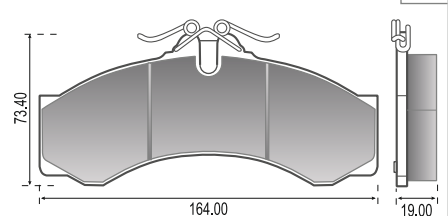
350

SPRINTER 310 D (97>01) - 311CDi (02>) - 312D (00>01) - 313 CDi (02>) - 316 (03>06) - 400 2.3 (98>) - 412D (99>02) - 413 CDi (02>) - 416 (03>06)
Sistema: PT



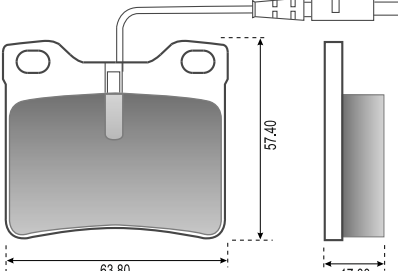
350N

SPRINTER 310D (96>01) - 311 CDi (02>06) - 312D (99>01) - 313 CDi (02>06) - 412D (00>02) - 413 CDi (02>06)
Sistema: PT



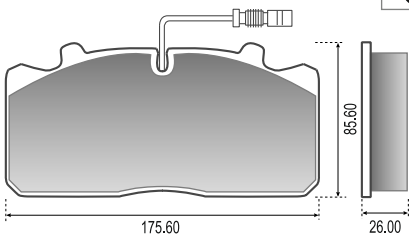
386

VIANO 2.3D, 2.3TD (95>) - VIANO 2.2 CDi (99>)
Sistema: ATE



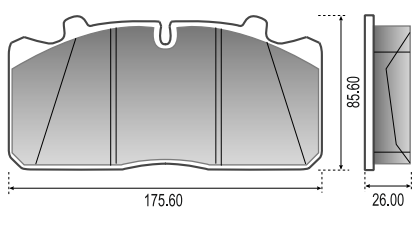
398

LO-914 (98>) - LO-915 (03>) - 712 / 812 / 814 / 914-C / ELECTRONICOS (98>)
Sistema: PT



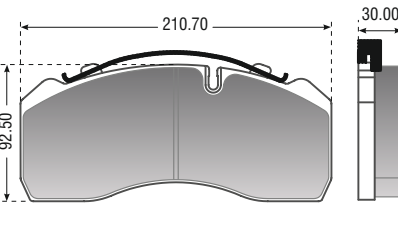
398N

712 (98>06) - 812 (01>) - 914 - 915 (03>) - LO814 (98>01)
Sistema: PT



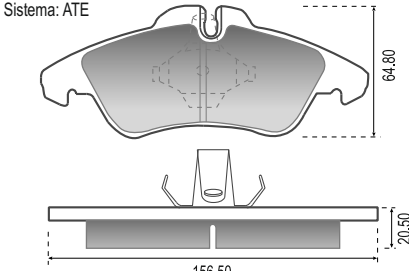
400

MICRO MIDI BUS OH-1115-L ELÉCTRICO (00>)
ATEGO SERIE 12 / 13 / 15 TON (98>)
TOURINO 0510 (03>)
Sistema: Knorr



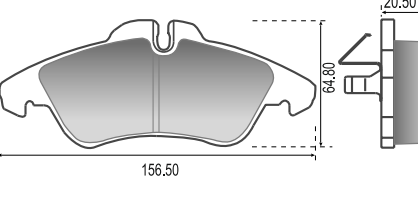
401

SPRINTER 312D - 310 D (00>01) - 311CDi - 313 CDi - VIANO 2.3D, 2.3TD (95>), 2.2 CDi (99>)
Traba guía de pistón: ø 49.5 mm
Sistema: ATE



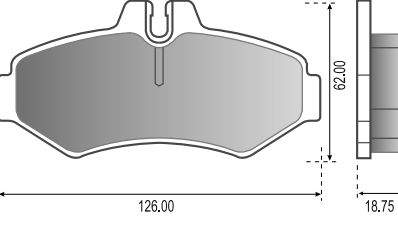
401A

SPRINTER 308 D (00>06) - 310 D (95>00) - 311 (00>06) 312D - 313 (95>00) - 314 (06>) - 316 (00>) - 410 - VIANO
Traba guía de pistón: ø 48 mm
Sistema: ATE



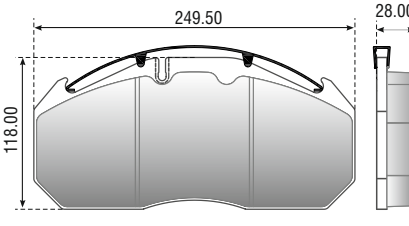
453

SPRINTER 310D / 312D (00>01) - 316 (03>06)
Sistema: Bosch



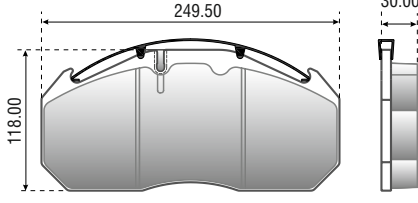
457

O340 (92>) - O350 (92>) - O404 (91>) - O500 (00>) - O550 INTEGRO - LLIADÉ GTX - MAJOR



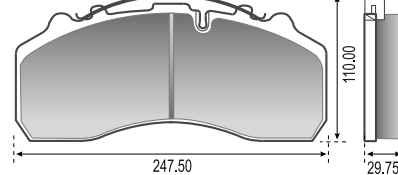
457A

O340 - O350 (92>) - O404 (91>) - O500 - O550 (00>) INTEGRO - MERITOR



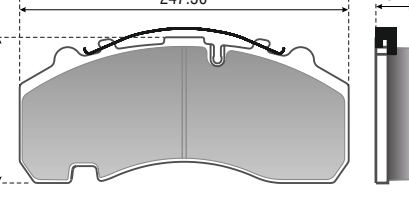
458

ACTROS (96>10) - AXOR 1933 / 2035 / 2040 / (05>) AXOR 2533 6X2 / 2540 6X2 / 2544 6X2 (05>) - AXOR 2640 / 2644 6X4 (05>) - LS-1634 (02>) - LS-1938 (98>) O-500-U ARTICULADO (06>) - 1215-C (99>) - 1726-E (08>) 1938-S (99>) - 1944-S (03>) - OH-500 - LS-1938 (98>) 1938-S (99>) - 1944-S Serie Electronico y Super Torque (03>)
Sistema: Knorr



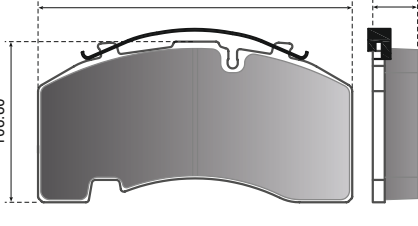
493

ACTROS - CITARO (O 530) - ATEGO - ECONIC - AXOR TRAVEGO (O 580) - CITO (O 520) - TOURISMO (O 350/O 403)



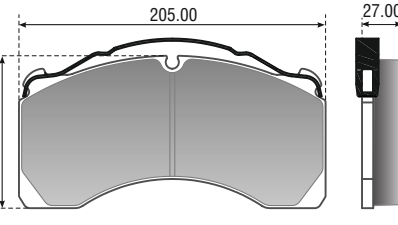
504

DWP-5000



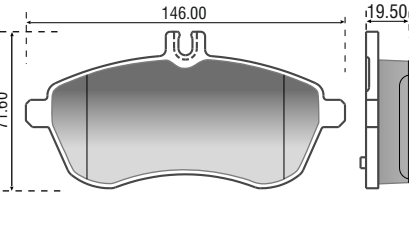
505

ROR LM - LMC - TM MERITOR



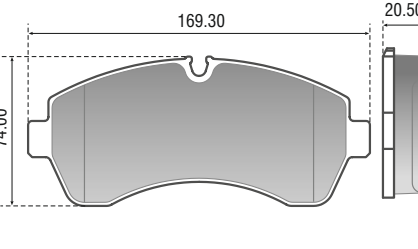
555

CLASE C - C200 (2012>)



D1268

SPRINTER 415 2.1 (2012>) - 515 2.1 (2012>)

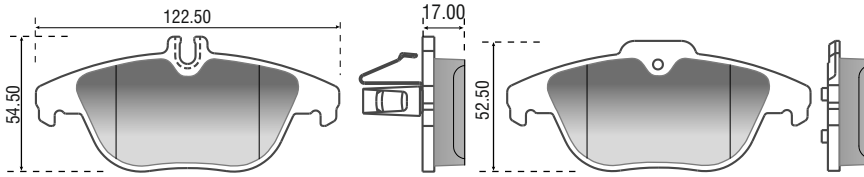


Pastillas para Freno / Brake Pads

MERCEDES BENZ

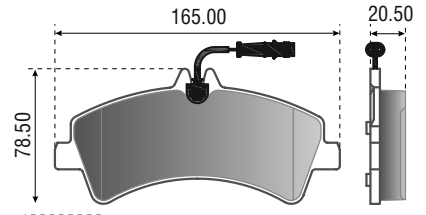
CLASE C (2007>)

556



D1318

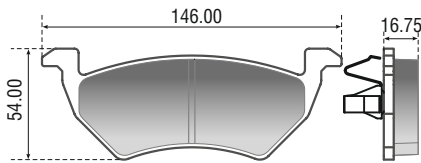
SPRINTER 515 (12>)



MERCURY

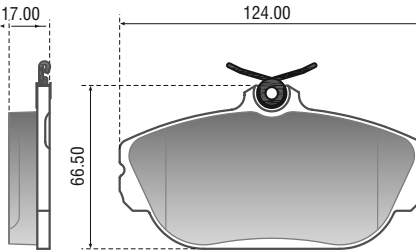
MARINER (05>09) - 4X4 (05>09)

536



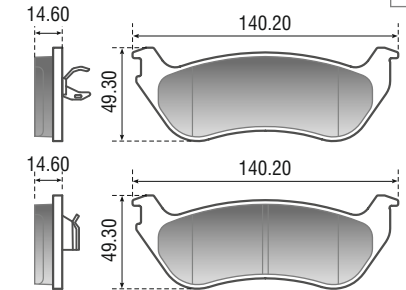
SABLE (94>00)

D601



MOUNTAINEER (02>03)

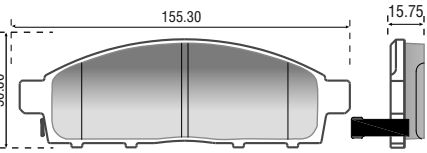
D881



MITSUBISHI

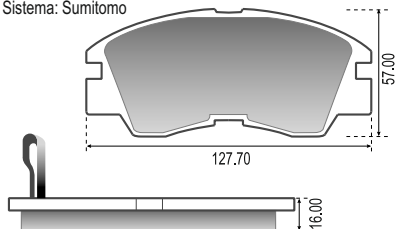
L 200 2.5 TDI, 3.2 DI-D 4x4 (2008>)
Sistema: Tokico

554



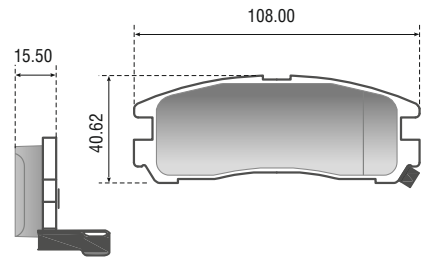
L 200 / L 300 1.6 DX, 2.4 DX, 2.4i, 2.5D (>96)
GALLOPER EXCEED (96>99) - MONTERO 2.3 TD
2.5 TD EXE Wagon, 2.4i GL, GLX (>91), 2.5 24V TD,
GL, GLX, 2.6 GL, GLX, GLS, 3.0 V6 (90>)
Sistema: Sumitomo

D349



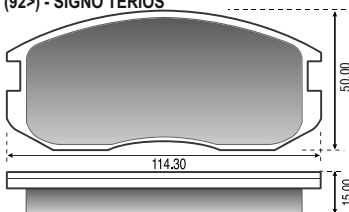
ECLIPSE 3.0 (03>05), 3.8 (06>) - GALANT 2.4 (05>07), 3.0
(03>04), 3.8 (05>07) - GRANDIS 2.4 (08>09) - DIAMANTE -
SAPPORO - LANCER

D383



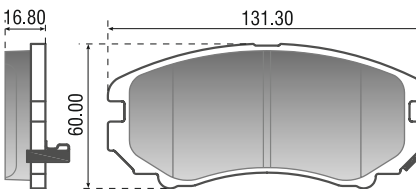
D535

COLT 1.3i GL, 1.3i Van, 1.6i Van, 1.8i Van (92>), 1.5i,
1.6i 16V GL/GLX (90>95), 1.8D GL/EL (>94) -
GALANT 1.6 GL (90>92) - LANCER 1.2 GL (90>95),
1.3i, 1.5 GLX, 1.8 GL/GLX (93>96), 1.5i, 1.6i, 1.8D
(90>96), 1.6i 16V (94>96), 1.8i (91>96), 1.8i 16V (94>),
2.0D (92>) - SIGNO TERIOS



D924

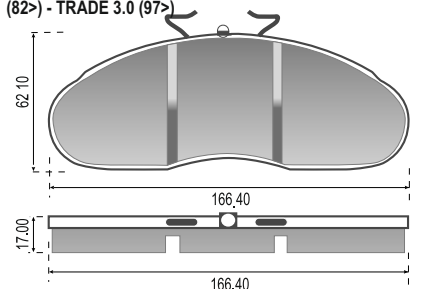
GALLOPER II 2.5 TD, 3.0 V6 (99>)



NISSAN

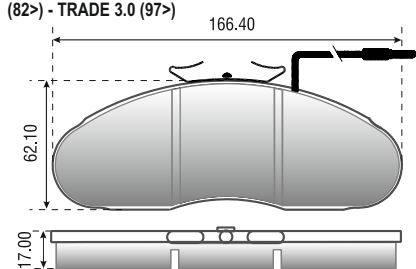
ATLAS 2.4, 2.7 TDCi - CABSTAR - EBRO 2.8 F250 -
F275 (82>) - EBRO 3.0 F350 (90>98) - L35 3.0, 4.0
(82>) - TRADE 3.0 (97>)

067



ATLAS 2.4, 2.7 TDCi - CABSTAR - EBRO 2.8 F250 -
F275 (82>) - EBRO 3.0 F350 (90>98) - L35 3.0, 4.0
(82>) - TRADE 3.0 (97>)

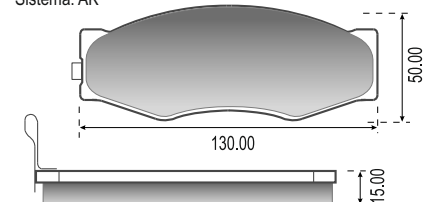
094



D266

MAXIMA - 200SX 3.0i 16V (87>) - 300SX 3.0i 16V
TURBO (84>) - BLUEBIRD 2.0i SLX, SW, TD (88>),
2.4i SLX, SW (93>) - PATHFINDER (90>97) - PICK-UP 720
VANETTE (90>94) - PICK-UP KING CAB 2.0, 2.4i DX, STD,
2.5 D DX, STD (93>) - VANETTE FURGON (95>)
Sistema: AK

266



527

TERRANO IV / PATHFINDER 1.6, 1.5 DCi (13>)

535

MARCH 1.6 - MICRA - NOTE

548

MARCH 1.0, 1.6 16V (15>) - VERSA 1.6 (2012>)

564

PATHFINDER 2.5 DCi, 3.0, 4.0 - MURANO 3.5, 2.5 - NAVARA / FRONTIER 2.5 DCi, 4.0, 2.8

565

ALTIMA 2.5, 3.5 - SENTRA 2.5 - TIIDA 1.5, 1.6, 1.8 - VERSA 1.6, 1.8, 1.5 DCi - X-TRAIL 2.0, 2.5

D233

SENTRA (90>95) PULSAR (83>84) - TSURU - SUNNY

D265

CAMIÓN (México)(83>) - SERENA 1.6, 2.0, 2.3 - TERRANO - VANETTE
Sistema: PT

D333

TERRANO II 2.4i, 2.7 TD, Pick-up (96>) - PATHFINDER 2.4, 2.7D, 3.6 V6 (92>), 3.0i V6 (93>) - FRONTIER 4x2 2.5, 2.8, 4x4 2.5, 2.8 (93>)
Sistema: AK

D422

240 SX (>94) - ALMERA - PATROL
Sistema: BR

D507

BLUEBIRD - TERRANO - PATHFINDER - VANETTE - GAZELLE - INTERSTAR

D510

NX-1600 - NX-2000 XE/SE (90>94) - SENTRA 1.6L (91>94) - SENTRA 1.4, 1.6 16V (91>96) - TSUBAME 1.6L (93>04) - TSURU GS (92>09) - 100 NX Coupé - 1.6i 16V GTi, 1.8i, 2.0i 16V GT (91>) - 100 SX 1.6, 1.8, 2.0 i 16V Coupe (91>) - BLUEBIRD - VANETTE

D700

PRIMERA - LIBERTY

D815

TIIDA 1.8 (10>) - SENTRA 2.0 (10>) - MAXIMA (00>03) - ALTIMA (00>05) - 350Z (03>05) - INFINITI G20 (02>) G35 (03>06) - I30 (00>01) - I35 (02>04)

D1345

TIIDA (06>) - LIVINA 1.6 16V, 1.8 16V (10>) - GRAND LIVINA 1.8 16V (10>) - LIVINA X-GEAR 1.6 16V, 1.8 16V (10>) - MARCH III - MICRA - NOTE - VERSA 1.6

Pastillas para Freno / Brake Pads

PEUGEOT

005

404 - 504 (67>81)
Sistema: LG

021

504 - 505 (78>93) - PICK-UP T4B, T5B (90>)
Sistema: BX

026

504 - 505 GRD - PICK-UP - RURAL (81>)
Sistema: LG

039

504 - 505 SR, SRD - PICK UP (93>)
(Sensor unipolar)
Sistema: ATE

041

106 (97>) - 205 XS, XSI, JUNIOR, 1.9 CTi, GTi (93>)
306 (95>) - 405 GL (92>)
Sistema: BX

052

J5 2.5, 2.0, 1.9D (92>)

053

505 SRi, TD (93>) - 604 2.5, 2.7, 2.8 (89>) Injection
Sistema: LG

054

405 GL, GLi, SRi, Mi 16V, Break, Diesel Turbo (92>)
Sistema: LG

054A

405 (92>) (4 CABLES)
Sistema: LG

055

205 GL, Gti (93>)
Sistema: LG

056

505 SRi, TD (93>) - 604 2.5, 2.7, 2.8 (89>) Injection
Sistema: ATE

D340 058

306 1.6, 1.8, 2.0 - 405 GLi, SRi, STi, Mi 16V, T16 - 307 1.4 HDi, 1.4 16V (00>) - 307 1.6 16V, 2.0 16V, 2.0 HDi 90CV, 2.0 HDi 110 CV - 308 1.6 16V, 1.6 HDi, 2.0 16V (12>) - 408 1.6, 1.6 HDi, 2.0 16V (12>) - 807 - 207 GTi / CC (08>)
Sistema: LG

058A

306 - 307 1.6, 2.0 - 405
Sistema: LG

062

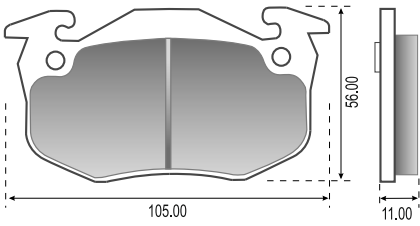
106 (97>) - 205 XS, XSI, JUNIOR, 1.9 CTi, GTi (93>) - 306 (95>) - 405 GL (92>)
Sistema: BX

073

307 1.4 HDi, 1.4 16V (08/00>) - 106 - 205 - 207 - 306
Sistema: BX

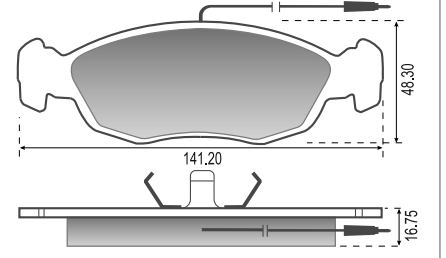
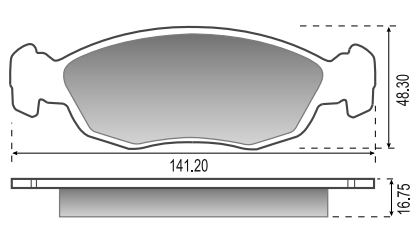
074

106 1.6i (91>96) - 205 1.9 CTi, GTi (93>) -
206 1.6 16V, 2.0 HDi (01>) - 306 2.0 16V GTi,
ST, XSi COUPE (95>)



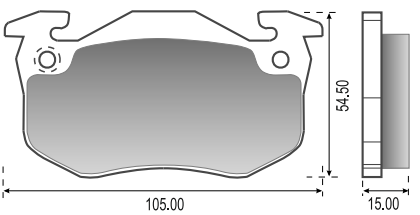
077

106 (97>) - 306 1.4, 1.6 XS, XR, ST, XT, 1.8 XR, XT, 1.9 XLD, XND, XRD (95>)
Traba guía de pistón: ø 36.00 mm
Sistema: ATE



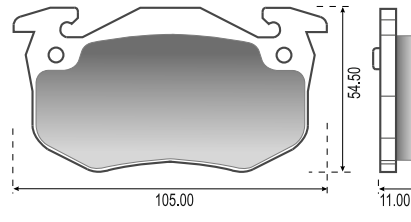
084

205 1.0, 1.1, 1.4, 1.6, 1.8



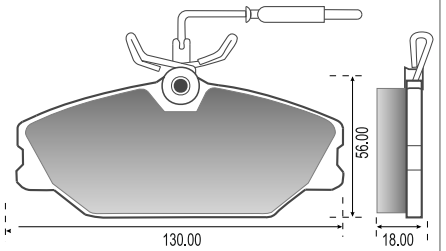
090

106 - 206 - 306 - 207 COMPACT 1.6 16v, 2.0 HDi
Sistema: Bosch



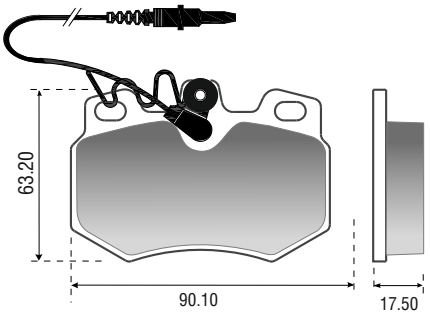
124

306 2.0 16V, GTi, XSi, ST, XSi Coupe (95>)
Sistema: LG



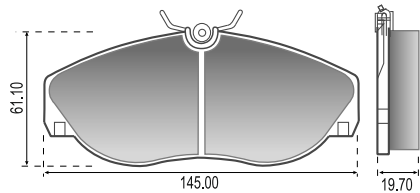
303

106 (97>) - 205 1.9 (93>)



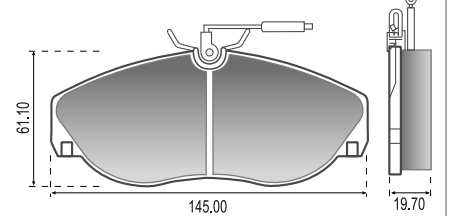
306

BOXER 1.9D (94>99), 2.5 TD SERIE 1400 (94>99)
Sistema: LG



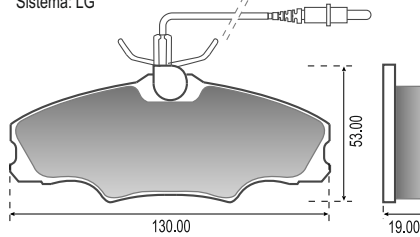
306A

BOXER 1.9D (00>02), 2.5 TD SERIE 1400 (00>02)
Sistema: LG



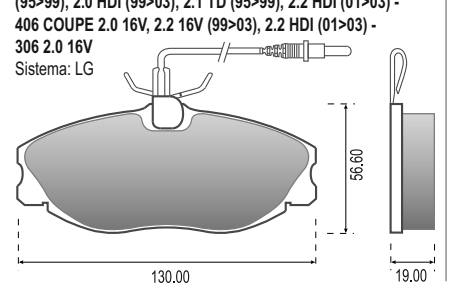
382

406 - 406 BREAK 1.6, 1.8 (97>99), 1.8 16V, 1.9D (95>00),
2.0 (99>) (con y sin ABS)
Sistema: LG



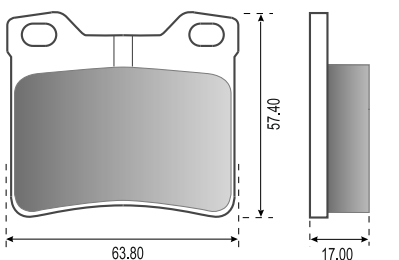
383

406 - 406 BREAK 2.0 16V (95>00), 2.0T (97>99), 2.2 16V
(99>03) - 2.0 16V HPI (01>04), 3.0 V6 (97>03), 1.9TD
(95>99), 2.0 HDi (99>03), 2.1 TD (95>99), 2.2 HDi (01>03) -
406 COUPE 2.0 16V, 2.2 16V (99>03), 2.2 HDi (01>03) -
306 2.0 16V
Sistema: LG



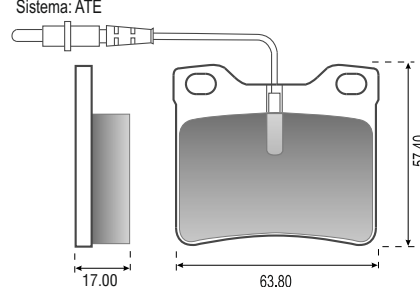
384

406 (96>)
Sistema: CT



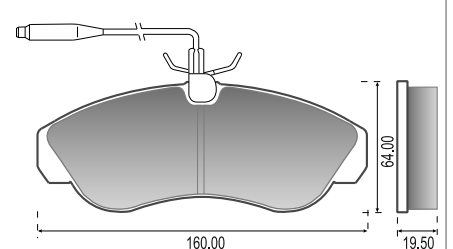
386

307 (00>) - 605 2.0i, 2.1 (92>) / COUPE - 406 1.8i 16V SR,
ST, BREAK, 1.9D (95>), 2.0 16V ST, SV, 2.1 TD (99>)
Sistema: ATE



389

BOXER 2.0 (94>), 2.5 TD SERIE 1800 (94>99)
Sistema: LG

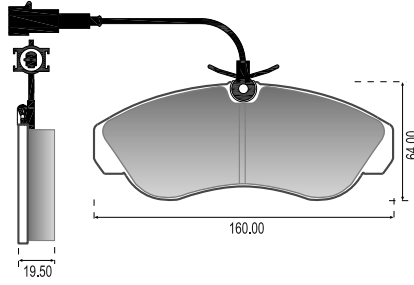


Pastillas para Freno / Brake Pads

PEUGEOT

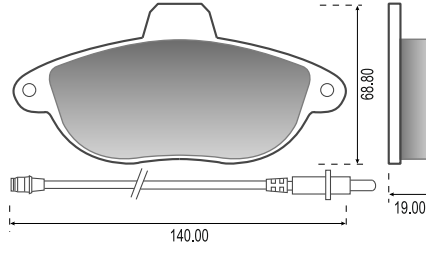
389A

BOXER (97>01)
Sistema: LG



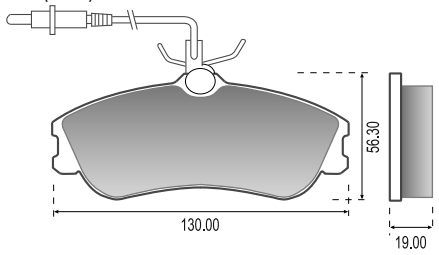
390

307 (00>) - 605 1.9, 2.0 (93>) - EXPERT 1.9D (99>), TD, EL (96>) - 806 (96>)
Sistema: BX



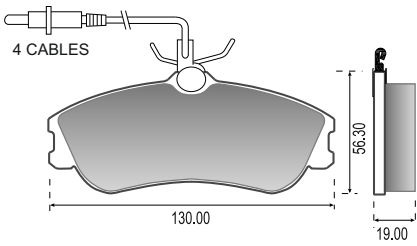
391

PARTNER Familiar y furgón 1.4, 1.6 16v, 1.6 HDI HOGGAR 1.4 8V, 1.6 16V - 206 SW - 207 COMPACT 1.6 16V - 306 1.6, 1.8, 2.0 (96>) - PARTNER 1.8, 1.9D (98>) - 307 (2008>) Sistema: LG



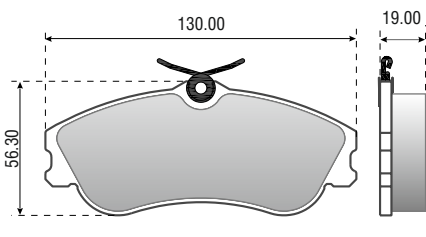
391B

PARTNER (4 CABLES POR JUEGO)
Sistema: LG



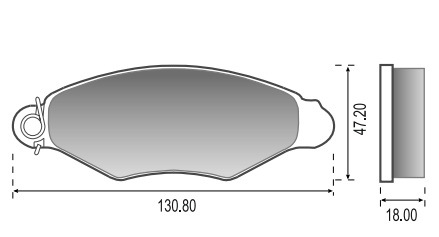
391N

PARTNER 1.4 8V, 1.6 16V, 1.6 HDi - HOGGAR 1.4 8v, 1.6 16V (2010>)
Sistema: LG



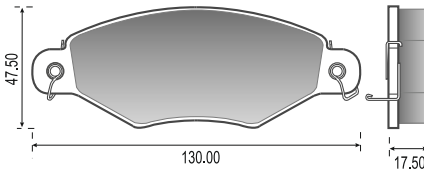
392

206 1.4 XR, XS, 1.6 XR, XS, 1.9 XRD (99>)
306 1.4 (97>)
Sistema: Bosch



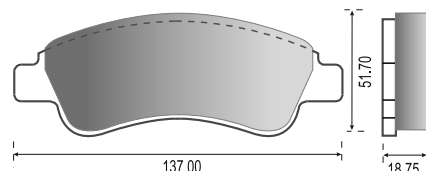
399

206 1.4 XR, XS, 1.6 XR, XS, 1.9 XRD (99>), 2.0 HDi, 306 1.4 (97>) - 207 1.4, 1.6, 1.9D, 2.0 HDi (c/ 2 resortes)
Sistema: Bendix



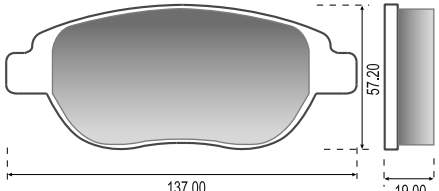
434

207 COMPACT 2.0 HDi - HOGGAR 1.4 8V, 1.6 16V 207 - 307 1.6, 2.0 HDi (00>), 1.4 (02>), 1.4 16V, 1.6 HDi (04>) - PARTNER Familiar y furgón 1.4, 1.6 16V, 1.6 HDi (2010>) - 208 1.6 16V 115 HP - 206 1.6 16V
Sistema: Bosch



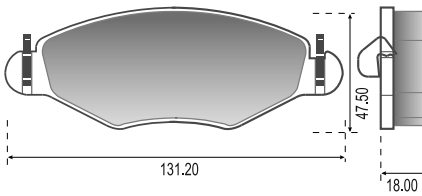
444

307 1.6i 16V, 2.0 16V, 2.0 HDi (02>) - 207 GTI/CC (2008>)
Sistema: LG



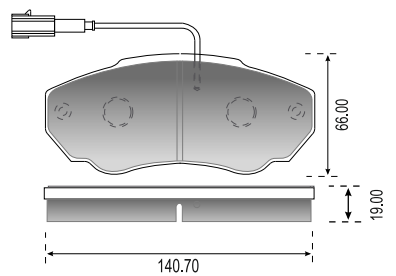
466

206 1.4, 1.6, 1.9D - 207 COMPACT 1.4 8v, 1.4 HDi, 1.6 16V (2 clip) - HOGGAR ESCAPADE 1.6 16V
Sistema: Bosch



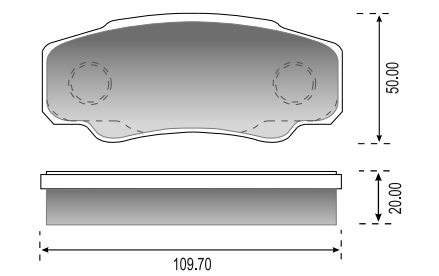
476

BOXER Serie 290 / 330 (2002>) / 244 con sensor pin macho



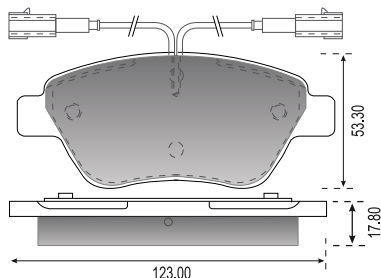
487

BOXER Serie 290 / 330 (2002>) / 350 2.2 HDi, 2.8 HDi 4X4 / 244



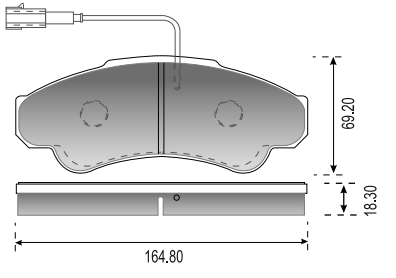
490

BIPPER 1.4, 1.3, 1.4 HDi - con sensor pin macho
Sistema: Bosch



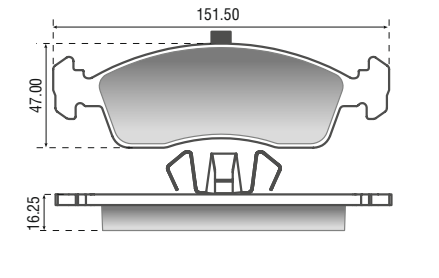
498

BOXER Serie 350 2.2 HDi, 2.8 HDi 4X4 (2003>), 2.8 TD - FURGON 2,3 HDi 350 (2010>)



525

208 1.5 16V (2013>)



526

508 1.6, 1.6 HDi, 2.0 HDi

534

308 1.4, 1.6, 2.0 16V, 2.0 HDi (11>) - 308 CC 1.6 16V, 1.6 HDi (11>) - 408 1.6, 2.0 16V, 2.0 HDi (10>) - 3008 1.6 Vti, 1.6 HDi (09>)

527

5008 1.6 16V, 1.6 HDi

D1108

307 - 308 1.6 16V, 2.0 16V, 2.0 HDi - Ranch 2.0 HDi

531

308 CC 1.6 16V, 1.6 HDi, 2.0 HDi (09>) - 3008 1.6 THP, 2.0 16V, 2.0 HDi (09>) - RCZ 1.6 16V - 2.0 HDi (10>) - 207 1.6 - 307 2.0 - 5008 1.6 (12>)

D688

806

D289

PHOENIX 2.8

D383

TRANS SPORT 3.4 - GRAND PRIX 3.8

D623

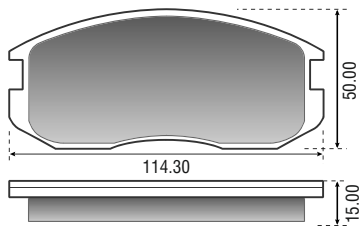
BONNEVILLE 3.8L (94>99) - FIREBIRD (94>97) - TRANS SPORT

Pastillas para Freno / Brake Pads

PROTON

D535

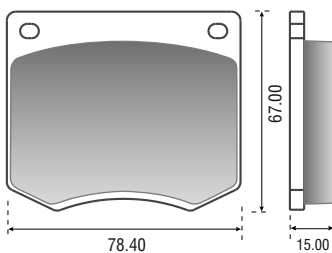
PERSONA COMPACT 1.3 (95>) - 1.5i, 1.6i (93>)
 PROTON SAGA 1.3i, 1.5i (92>) - PROTON 313 1.3 -
 315 1.5 (95>) - 413 1.6 (96>) - 15 1.5 (93>) - 416 1.6 93 (>96)



PUMA

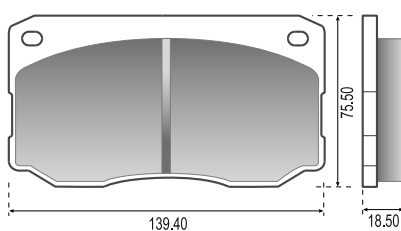
016

GTB (73>76)
 Sistema: Varga



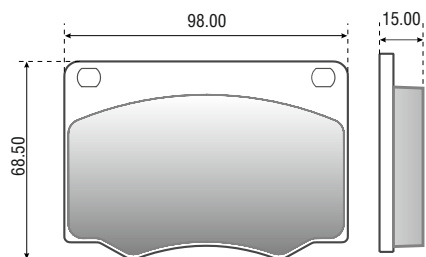
068

PUMA 914 (89>)



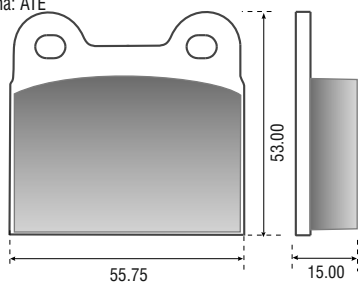
070

GTB (77>79) - GTB S2 /S3 (79>84)



080

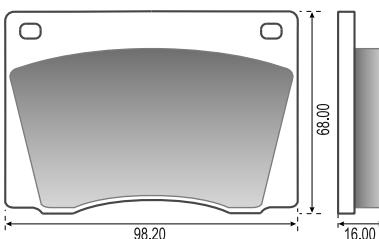
GTC (81>84) - GTE (69>80) - GTI (81>84) - GTS (70>80)
 P018 (81>84)
 Sistema: ATE



RENAULT

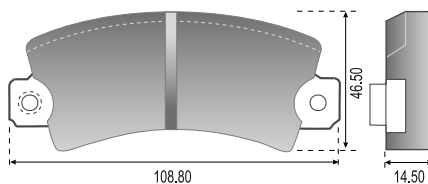
010

TORINO 380, 380 W, L, D, TS, GS, TSX, ZX, GR
 RAMBLER



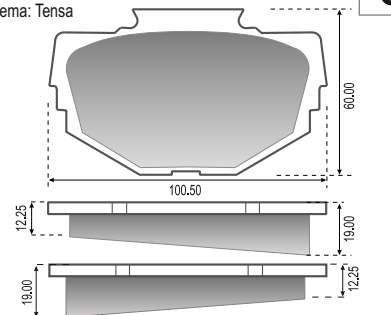
013

R12 - R4 (73>91)
 Sistema: BX



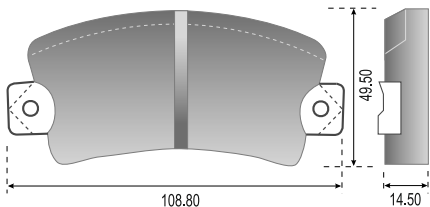
014

R12 (en cuña) (72>80)
 Sistema: Tensa



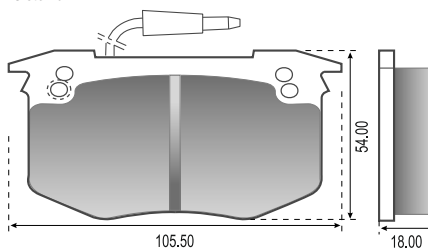
017

R12 BREAK (73>80)
 Caliper: BX



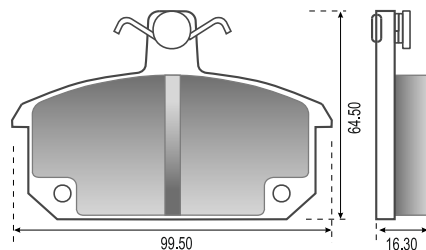
024

R18 (77>85)
 Sistema: BX



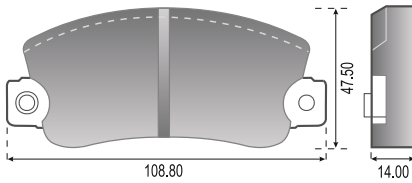
028

R4 S - R12 - R18 - R5 1.4 (85>90)
 Sistema: LG



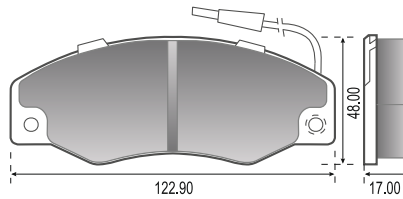
030

FUEGO GTA (89>)
Sistema: LG



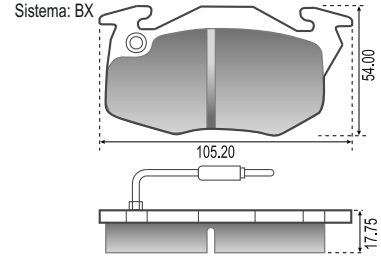
031

R21 GTX, TXE - NEVADA TXi - ALIZE (90>)
Sistema: TEN



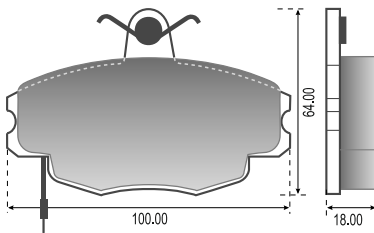
041

R9 - R11 (85>) - R18 - R5 (81>88) - FUEGO (84>91)
EXPRESS GTL (95>) - R19 CHAMADE RN, RT (93>)
CLIO RN, RL (94>96) (Asimétrica)
Sistema: BX



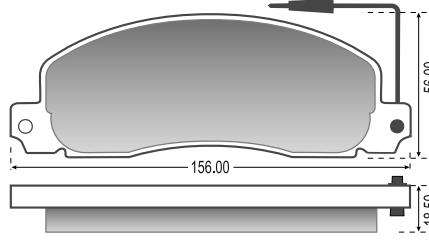
043

FUEGO - R9 - R11 - R18 (84>) Largo del cable 120 mm
Sistema: LG



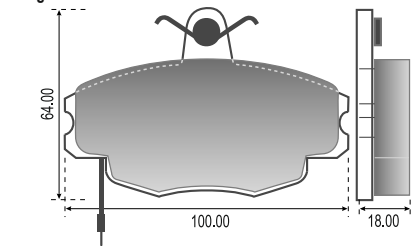
047

TRAFIC 1.4, 2.0, 2.2, DIESEL (84>) - RODEO
MICROBUS (84>)
Sistema: BX



055

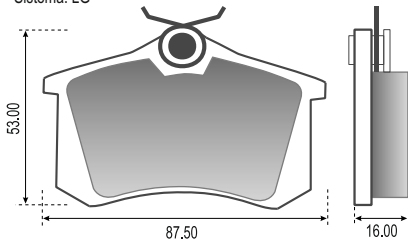
R9 - R11 (85>) - R18 (84>91) - R19 1.7 CHAMADE 1.9D,
RI, RN, RT (93>) - R21 NEVADA 1.9D (90>) - CLIO RN,
RT, 16V (93>96) - EXPRESS GTi (95>) - FUEGO
Largo del cable 200 mm - Sistema: LG



D340

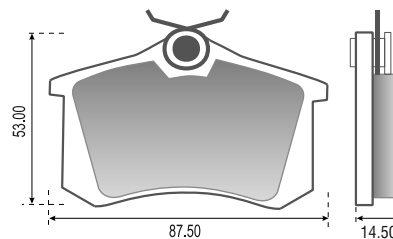
058

FLUENCE 1.6 16V, 2.0 16V (2010>) - MEGANE II 2.0 16V
(origen Turquía)
Sistema: LG



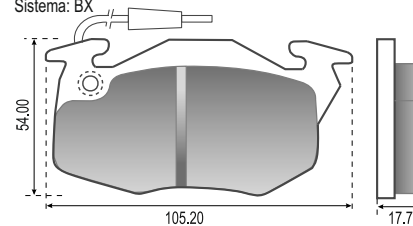
058A

MEGANE 1.6 16V, 2.0 16V (00>11)
Sistema: LG



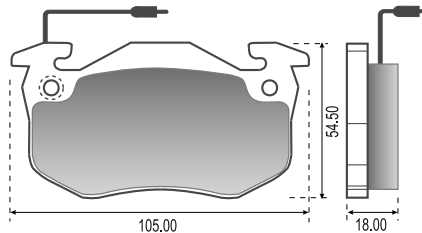
062

R9 - R11 (85>) - R18 - R5 (81>88) - R19 CHAMADE
RN, RT (93>) - FUEGO (84>91) - EXPRESS GTL (95>)
CLIO RN, RL (94>96) (Asimétrica)
Sistema: BX



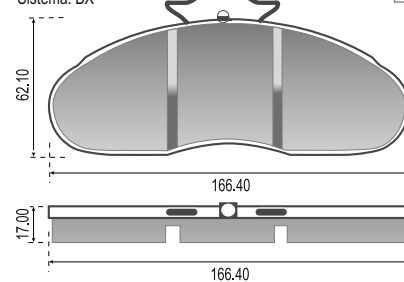
063

R18 (82>) - R19 - EXPRESS (95>) - TWINGO (93>)
(Simétrica)
Sistema: BX



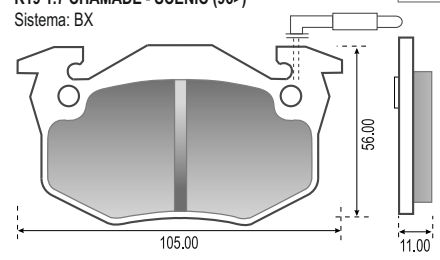
067

MASTER 2.0, MID, 2.5D, 2.5TD (95>)
Sistema: BX



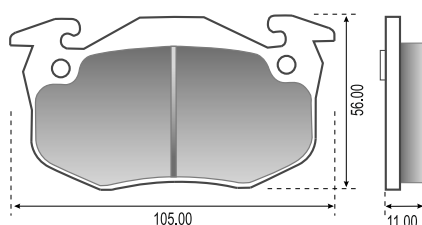
073

CLIO - R19 - MEGANE - MEGANE COUPE -
R19 1.7 CHAMADE - SCENIC (96>)
Sistema: BX



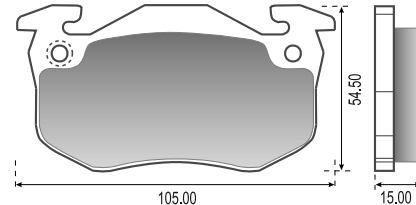
074

CLIO RT, 16V (93>96) - MEGANE 1.9D, 2.0 16V
R19 1.7 CHAMADE, 1.9D (93>) - SCENIC 2.0 (98>)



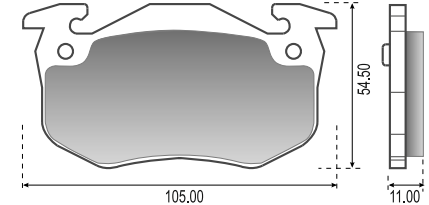
084

CLIO - TWINGO (93>) - EXPRESS (96>)
Sistema: BX



090

CLIO II (01>)
Sistema: Bosch

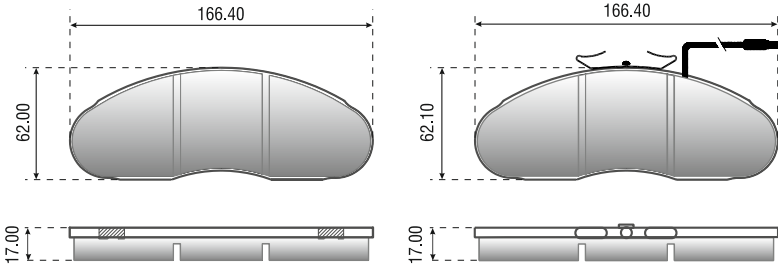


Pastillas para Freno / Brake Pads

RENAULT

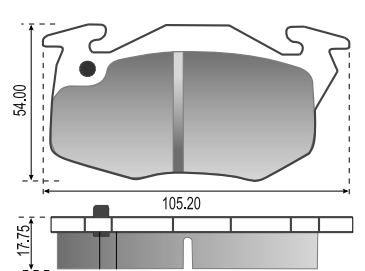
094

MASTER Van /Bus/Flatbed/Chassis 2.1, 2.4D / TRAFIC 2.1, 2.2, 2.5 D - TRUCKS MESSENGER / B



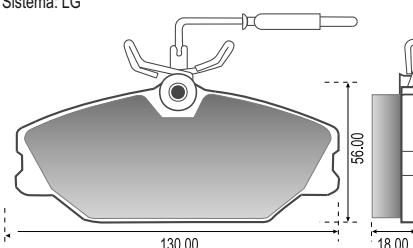
097

9 - 19 CALIPER DECALE



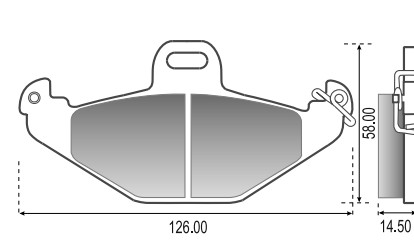
124

LAGUNA 2.0 - MEGANE - COUPE - SCENIC - SAFRANE R25 (todos)
Sistema: LG



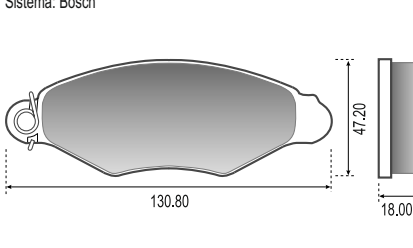
351

LAGUNA 2.0 (98>)
Sistema: BR



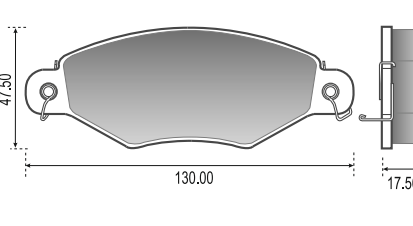
392

KANGOO 1.4, 1.6 RL, RN, 1.9 RLD - KANGOO EXPRESS 1.6 RL, 1.9 RLD (c/ 1 resorte)
Sistema: Bosch



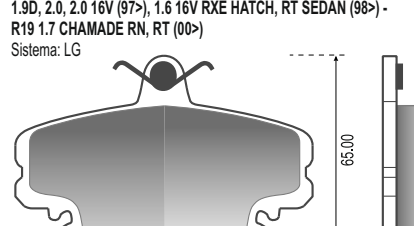
399

KANGOO 1.4, 1.6 RL, RN, 1.9 RLD - KANGOO EXPRESS 1.6 RL, 1.9 RLD (c/ 2 resortes)
Sistema: BX



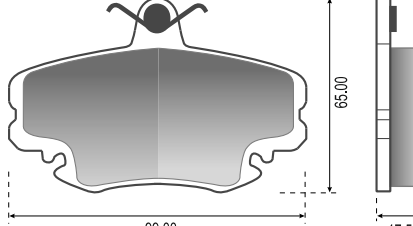
407

CLIO 1.6 8V RL, RN, RT (96>99), 1.4, 1.8i - R21 1.9 NEVADA (90>)
CLIO II 1.2, 1.6, 1.8, 2.0 - EXPRESS GTI - SCENIC 1.4, 1.6 (98>)
LOGAN 1.5 D, 1.6 8V, 1.6 16V - SYMBOL 1.5 D, 1.6 8V, 1.6 16V (2009>) - SANDERO 1.5, 1.6 16V (2008>) - MEGANE 1.4, 1.6, 1.9D, 2.0, 2.0 16V (97>), 1.6 16V RXE HATCH, RT SEDAN (98>) - R19 1.7 CHAMADE RN, RT (00>)
Sistema: LG



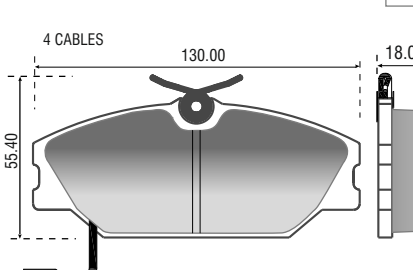
407N

CLIO (95>99) - SYMBOL - SANDERO - CLIO 1.6 16V (01>), 1.6 8V (96>00) - LOGAN 1.0 16V (08>13), 1.6 16V (08>13) - MEGANE 2.0 16V (98>11)
Sistema: LG



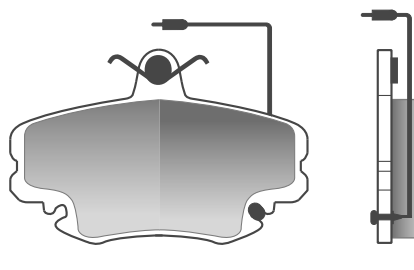
413

MEGANE SCENIC 2.0 RT - LAGUNA



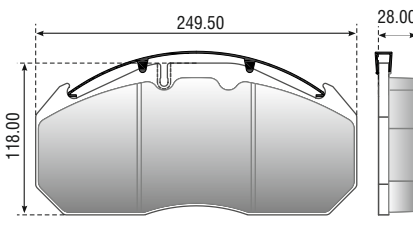
434

MEGANE II 2.0 16V (2005>) origen Turquía
Sistema: Bosch



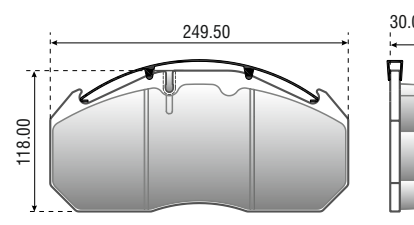
457

RVI Serie MAGNUM - AE385 - AE390 - AE420 - AE430 - AE470 - AE520 - A560 - PREMIUM (00>) - R 380.17 (93>96) - R 380.19 (93>96) - R 385 TL (93>96)



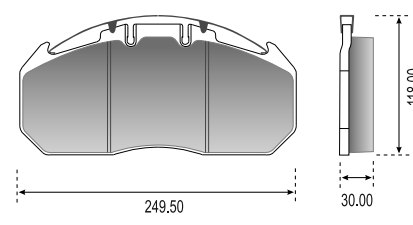
457A

AE-SERIE / MAGNUM (93>95) - AE-SERIE / MAGNUM (00>) - PREMIUM (00>) - R380.17 - R380.19 R385 TL (93>96)



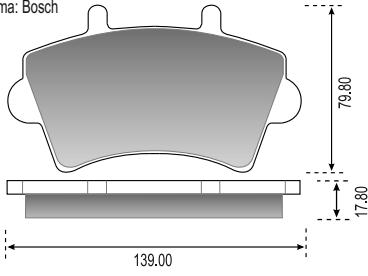
474

ILIADE (00>) - MAGNUM E-TECH (00>) - PREMIUM (00>) - MAGNUM (00>) - AE - SERIE



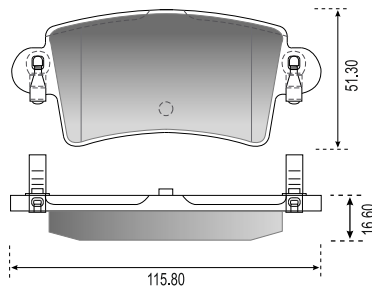
481

MASTER 2.5 DCI, 2.8D, 2.8 TDi (02>), 2.5 TDi Furgón (largo, mediano, corto) / Chassis (2009>)
Sistema: Bosch



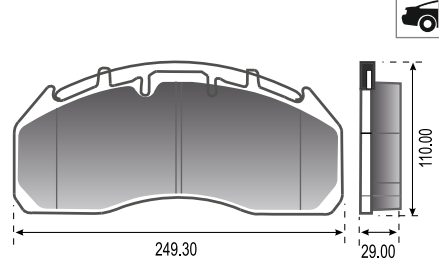
489

MASTER 2.5 DCI, 2.8D, 2.8 Tdi, 2.5 TDi Furgón (largo, mediano, corto) / Chassis (2009>)



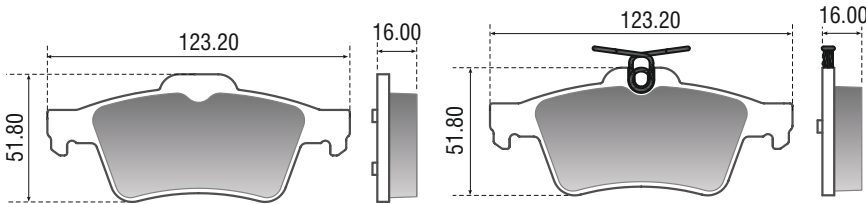
503

RVI MAGNUM - PREMIUM 2 ROUTE



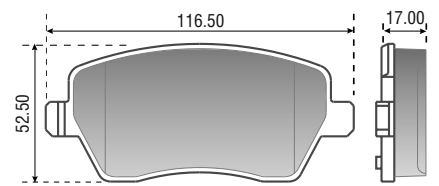
526

LAGUNA 2.0 (07>)



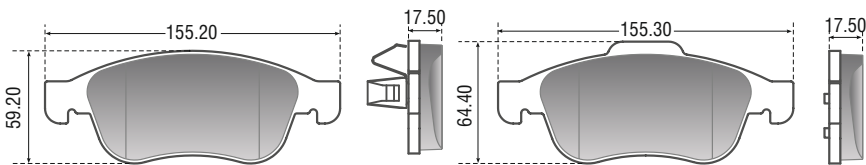
535

DUSTER 1.6 4X2 (2012>), 2.0 4X2 (2011>) - SANDERO - LOGAN - SYMBOL - CLIO - KANGOO



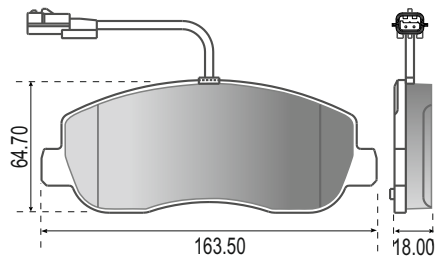
527

FLUENCE 1.6 16V, 2.0 16V (10>) - DUSTER 2.0 16V 4x4 (2011>) - MEGANE III 1.6 16V, 2.0 16V (08>), 2.0 (10>) - SCENIC (09>) - GRAND SCENIC (09>)



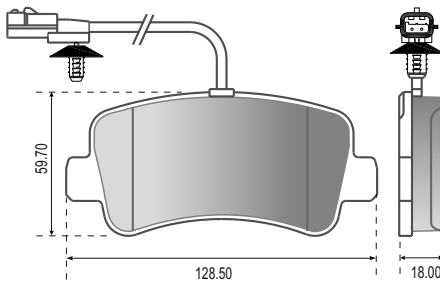
544

MASTER III 2.3 DCI (13>)



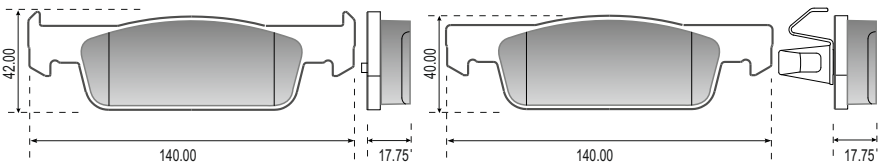
545

MASTER III 2.3 DCI (13>)



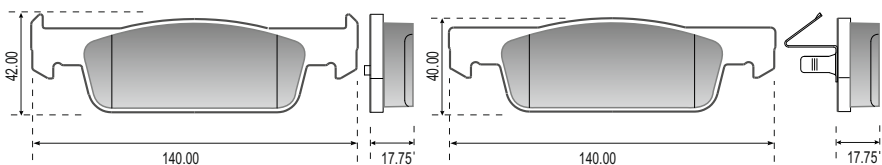
557

LOGAN (2014>) 1.0 16V, 1.6 8V - CLIO IV - SANDERO 1.6 8V / 16V (2014>) - STEPWAY
Traba guía de pistón: ø 44.5 mm



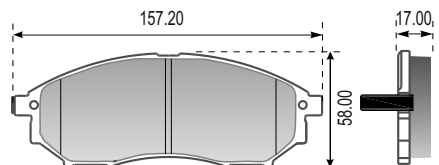
557A

LOGAN (2014>) 1.0 16V, 1.6 8V - CLIO IV - SANDERO 1.6 16V - STEPWAY (resorte pistón chico)
Traba guía de pistón: ø 27 mm



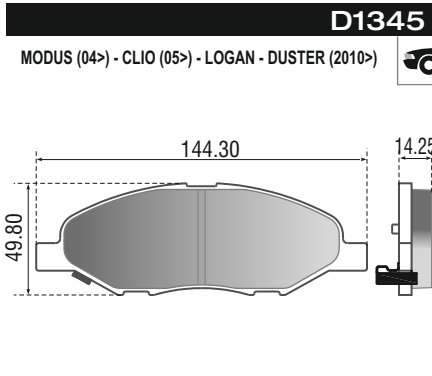
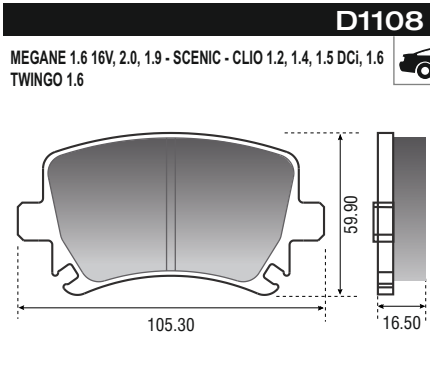
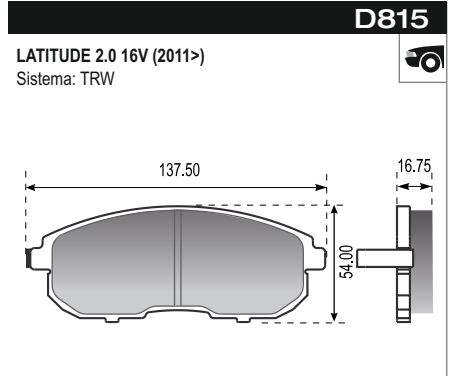
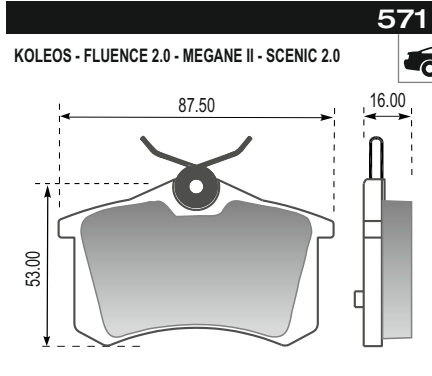
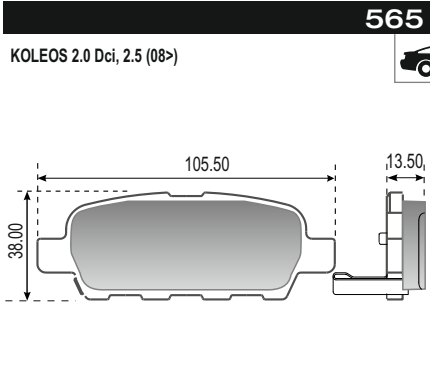
564

KOLEOS 2.0 Dci, 2.5 (08>14)

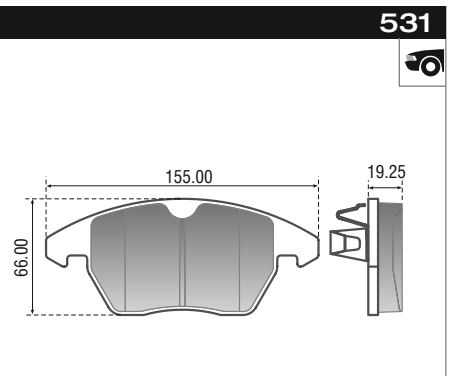
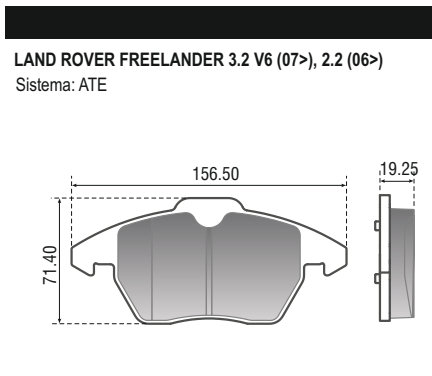
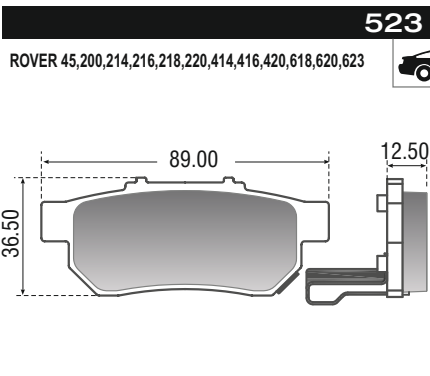
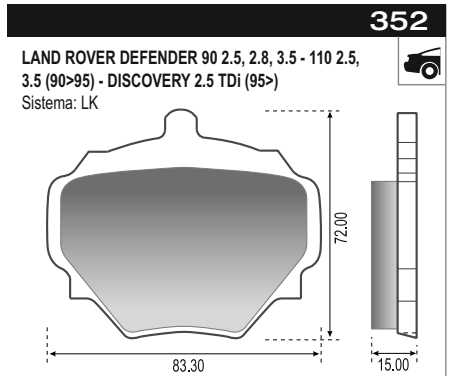
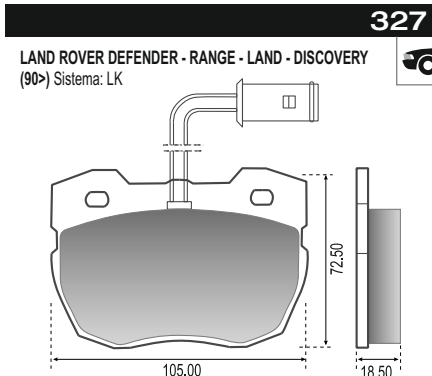
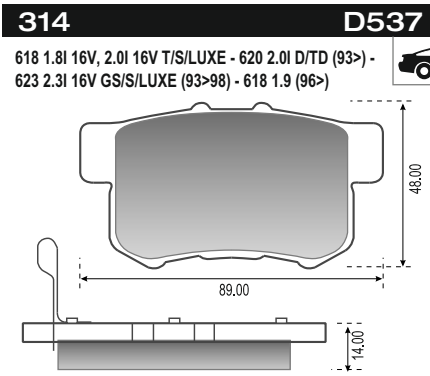


Pastillas para Freno / Brake Pads

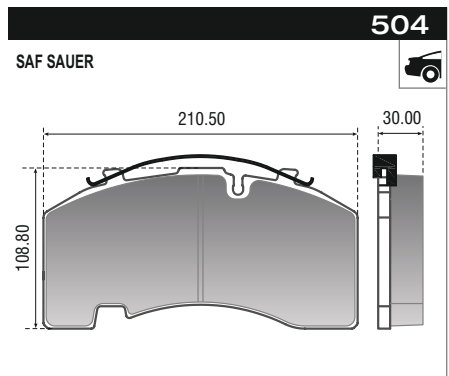
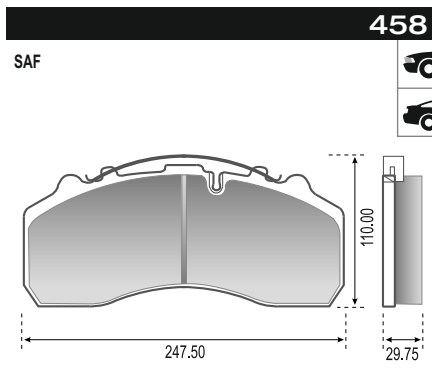
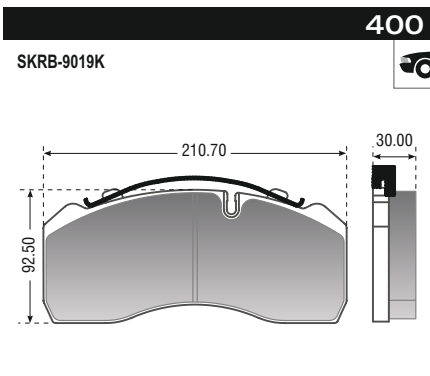
RENAULT



ROVER

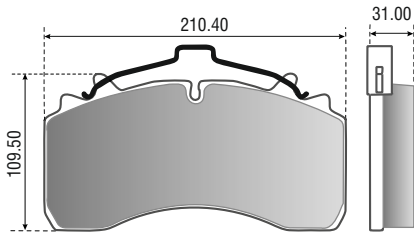


SAF



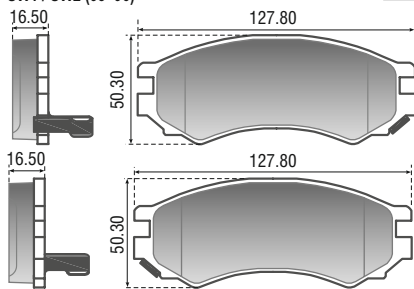
512

SK, SKRB, SKRLB, SKRS



D507

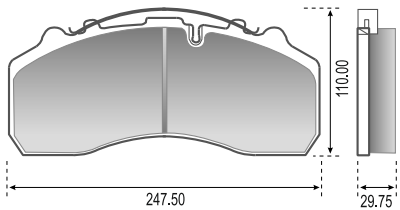
SC1 / SC2 (93>96) - SL / SL1 / SL2 (91>96) - SW1 / SW2 (93>96)



458

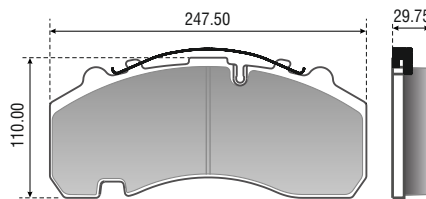
S-124 - T-124 6B (99>) - K-124 EB 4x2, 6x2, 8x2 - R-144 LB (98>) - L-94 IB UB (00>)

Sistema: Knorr



493

4 - series / P,G,R,T - series

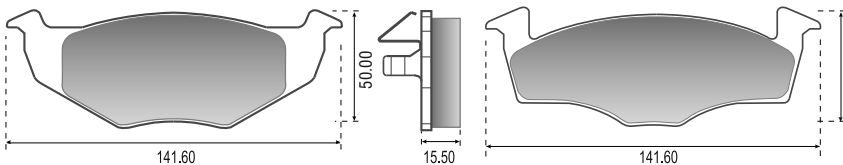


036

CORDOBA - IBIZA 1.8 GLX (94>) Diesel - Esp. 15.50 mm - Para Disco Ventilado de 20 mm

Traba guía de pistón: Ext. ø 42.50 mm - Int. ø 38.80 mm

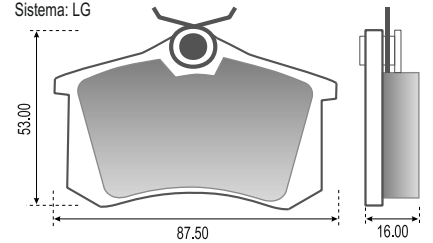
Sistema: LG



D340

058

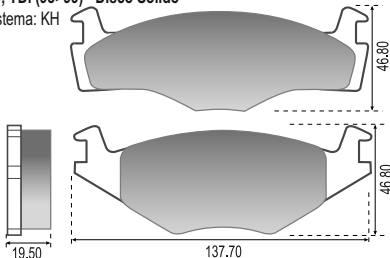
TOLEDO 1.8i, 2.0i 16V (91> 99), 1.6i, 1.9D, SD, TD (>99) 1.8 SE, SXE, TD (93>96), 1.8i 20V, 1.9 Tdi (98>), 1.8i CL, GL, GLX 16V, 2.0 GL, GLX, GT (>96) - CORDOBA IBIZA 1.9 TDi (99>), 1.8 GTi 16V, 2.0 GTi - IBIZA COUPE (93>99) Sistema: LG



086

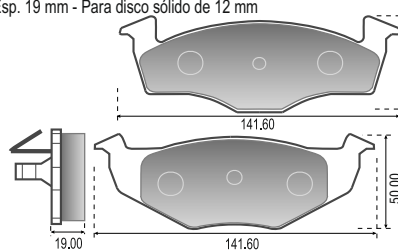
CORDOBA 1.4 CLX, GLX 1.6, 1.8, 1.9D, SDi, TD (97>99) IBIZA 1.4, 1.6, 1.6i, 1.7 SDi, 1.8 CLX, GLX, GLXi, 1.9 Sdi, TD, TDi (93>99) - TOLEDO 1.6i, 1.8 SE, SXE, 1.9D, Sdi, TD, TDi (93>99) - Disco Sólido

Sistema: KH



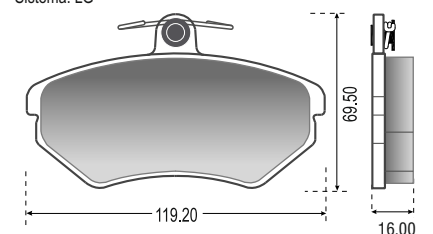
096

CORDOBA - IBIZA 1.4, 1.6i, 1.8 CLX, GLX, GLXi, 1.7 SDi, 1.9 SDi, TD, TDi (93>99) - TOLEDO 1.6i, 1.8 SE, SXE (93>98), 1.9D, SDi, TD, TDi (99>) - Traba guía de pistón: Ext. ø 42.50 mm - Int. ø 38.80 mm - Esp. 19 mm - Para disco sólido de 12 mm



116B

CORDOBA 1.9 TDi, 2.0 GTi 16V, 1.8 GTi 16V, IBIZA 1.8 GTi, 2.0 GTi 16V (93>99) - TOLEDO 1.9 Tdi 1.8i, 2.0i 16V (91>99) - INCA 1.9D, Sdi (97>) - Disco Ventilado Sistema: LG



SAF

SATURN

SCANIA

SEAT

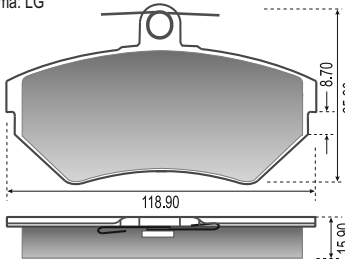
Pastillas para Freno / Brake Pads

SEAT

D704

127

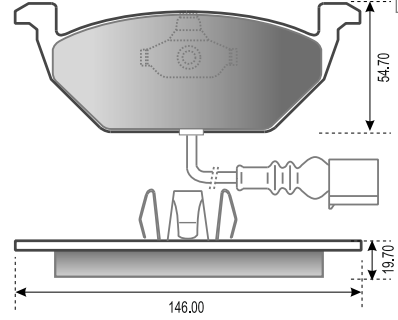
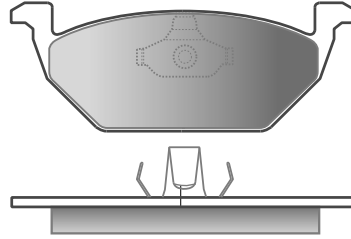
CORDOBA 1.9 TDi, 2.0 GTi 16V, 1.8 GTi 16V - IBIZA 1.8 GTi, 2.0 GTi 16V (93>99) - TOLEDO 1.9 TDi, 1.8i, 2.0i 16V (91>99) - INCA 1.9D, Sdi (97>) - Disco Ventilado Sistema: LG



D768

363

LEON 1.6, 1.8 20V, 1.9 TDi (99>) - TOLEDO 1.6i - 1.8i 20V, 1.9 TDi (98>) Traba guía de pistón: Ext. ø 42.50 mm - Int. ø 51.50 mm Sistema: ATE

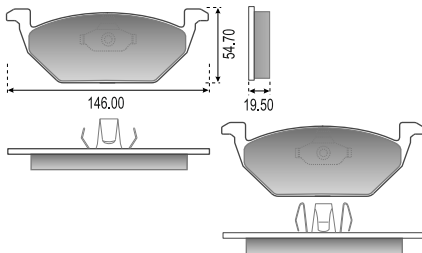


362

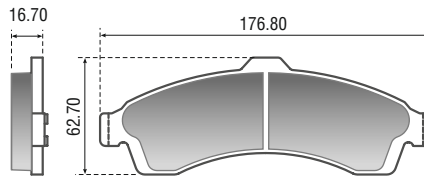
D882

D1108

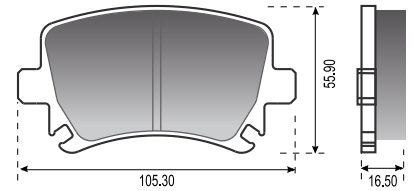
LEON 1.6, 1.8, 2.0V, 1.9 TDi (99>) - TOLEDO 1.6i, 1.8i 20V, 1.9 TDi Traba guía de pistón: Ext. ø 42.50 mm - Int. ø 51.50 mm - Sistema: ATE



ALHAMBRA



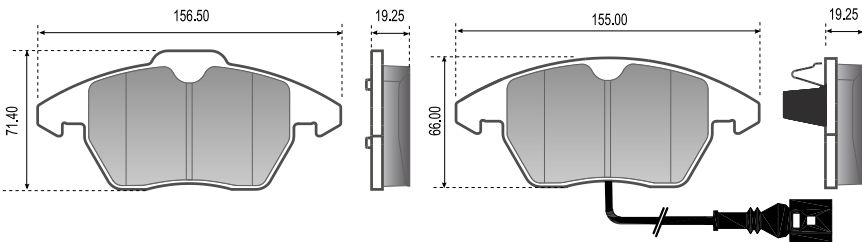
ALTEA 1.4 (09>10), 1.8, 2.0 (05>09) - FREETRACK 2.0 (09>10) - TOLEDO 2.0 (06>09), 1.6, 1.9 TDi, 2.0 FSi, 2.0 TDi (04>) LEON - IBIZA



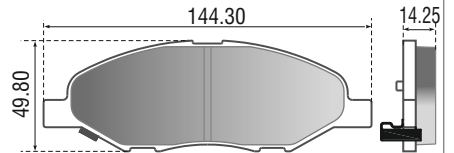
D1107

D1345

ALTEA - IBIZA - LEON - TOLEDO 1.6i, 1.9 TDi, 2.0 FSi, 2.0 TDi (94>) Sistema: Teves



CORDOBA (02>09)



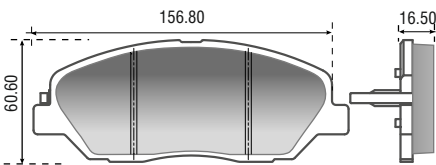
SSANGYONG

550

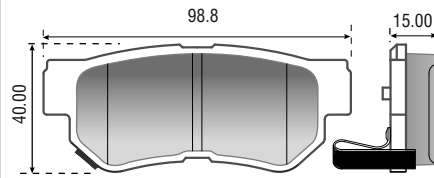
553

D700

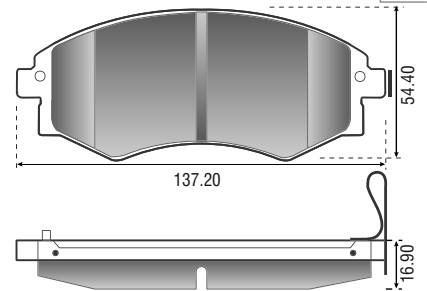
KORANDO 2.0 4x2 / 4x4 (10>) - REXTON Sistema: Mando



REXTON (03>) - ACTYON 2.0 4x4 (08>) Sistema: AK

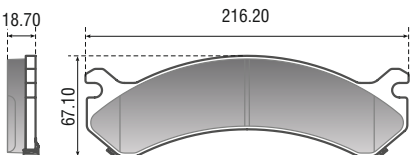


KORANDO (99>) - MUSSO



D784

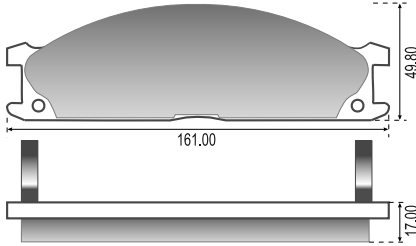
KORANDO (99>) - MUSSO



D333

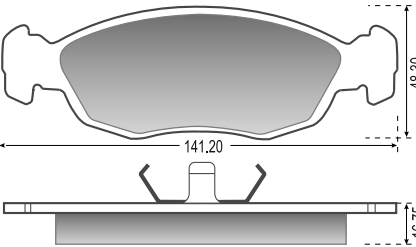
380

COUPE SVX (93>)
Sistema: AK

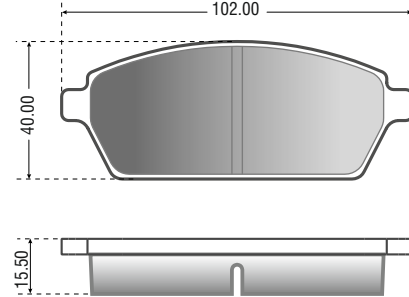


083

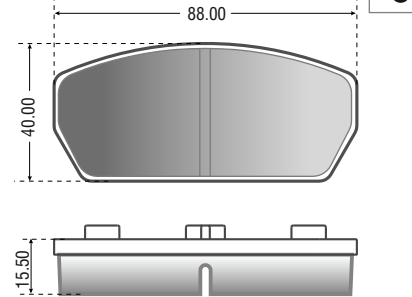
FUN 1.0 (02>)
Traba guía de pistón: ø 37.00 mm
Sistema: ATE



SUPER CARRY BUS (MINIBUS) ED 1.0 (92>99)

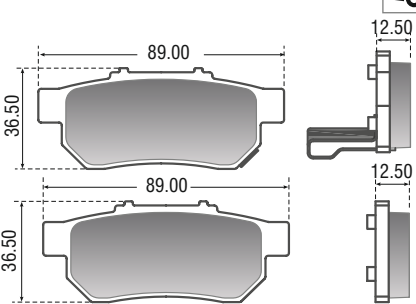


469



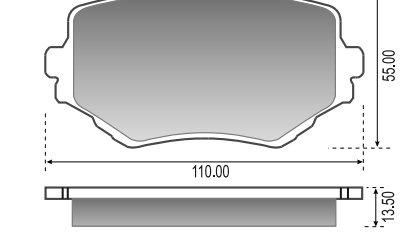
523

ALTO - KEI - SX4 1.6, 2.0 (2006>) - SWIFT 1.6



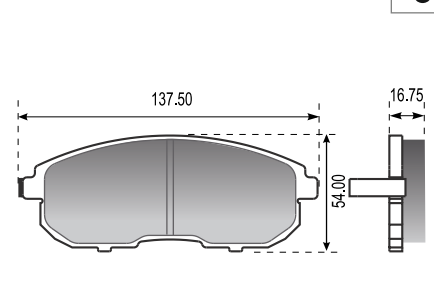
D680

GRAN VITARA 1.6, 2.0, TD, 2.5 V6 24V (98>) -
VITARA 1.6, 1.9, 2.0 TDi (95>99), 2.0 16V (96>99) -
2.0 TD V6 (94>98) - SIDERICK (95>)
Sistema: AK



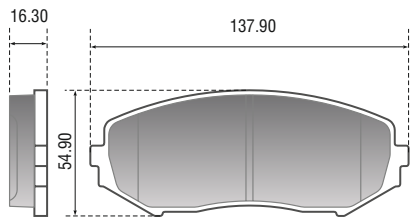
D815

SUZUKI SX-4



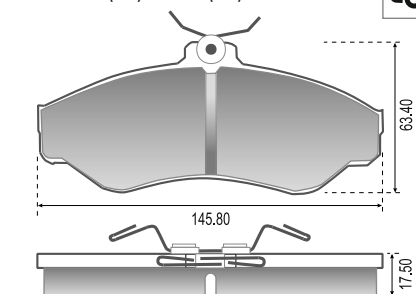
D1188

GRAND VITARA 1.6, 1.9, 2.0 (06>) - VITARA (06>) -
GRAND VITARA (06>08) - ESCUDO (88>02)
SUPER CARRY - GRAND ESCUDO - JIMNY (98>)



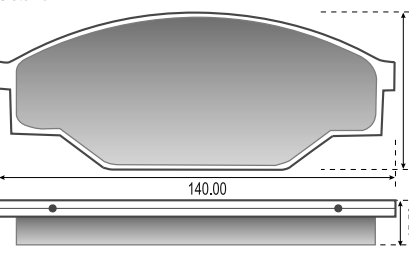
107

JEEP PICK UP (96>) - PERUA (96>)



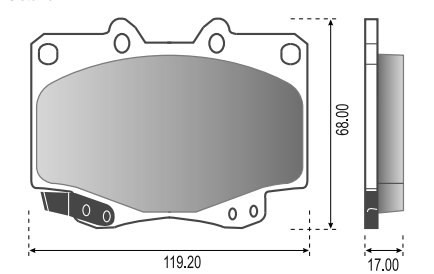
D303

HI-LUX - HI-ACE 4X2, 4X4 (88>95)
Sistema: AK



110

HI-LUX 4X2 - 4X4 (05>)
Sistema: TRW



118

SUBARU

SUZUKI

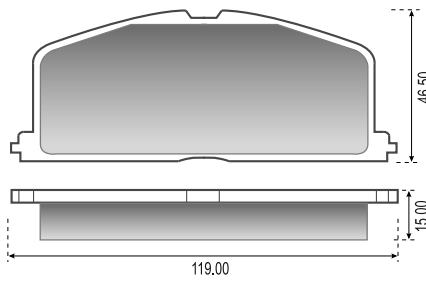
TOYOTA

Pastillas para Freno / Brake Pads

TOYOTA

D242 **242**

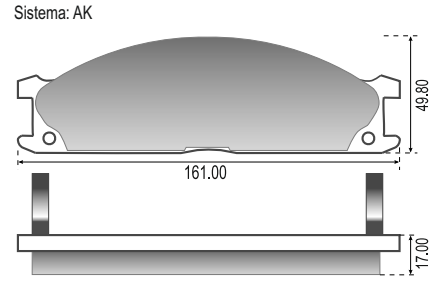
COROLLA (84>)



D333 **380**

CAMRY - CARINA - COROLLA (90>) - CELICA (>97) - CORONA (92>94) - RAV 4 (93>)

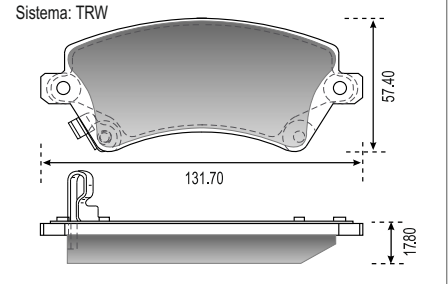
Sistema: AK



455

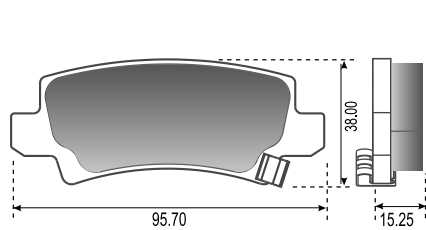
COROLLA XLI 1.6 16V, SE-G 1.8 16V, XEI 1.8 16V, 2.0 (06/2002>) - COROLLA FIELDER XEI 1.8 (2004>)

Sistema: TRW



488

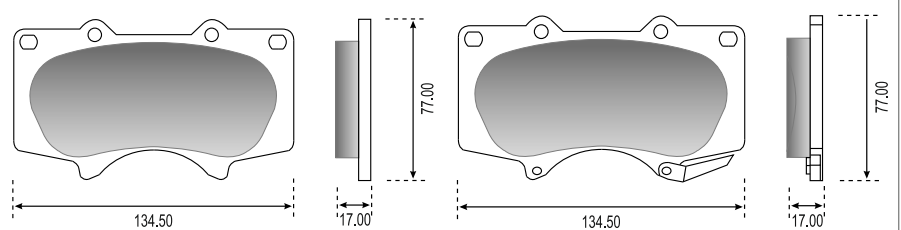
COROLLA NEW XEI 1.8 16V, 2.0 - XLI 1.6 16V - COROLLA (02>08) - COROLLA XLE (09>) - FIELDER (04>08)



D976 **500**

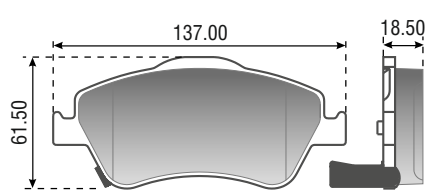
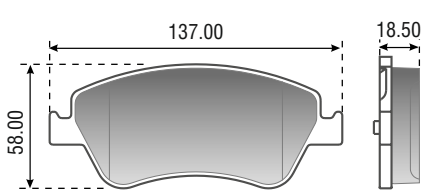
HILUX 2.5 TD, 3.0 TD 4X2 - 4X4 (11>) - 4 RUNNER - LAND CRUISER - TACOMA

Sistema: Sumitomo



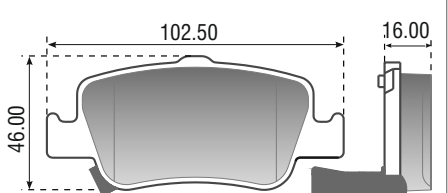
516

COROLLA VVTI 1.6, 1.8 (08>13)

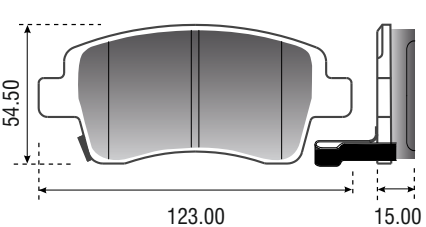
517

COROLLA 1.8 16V, 2.0 16V (2014>) - VVTI 1.6, 1.8 (08>13) - ALTIS 2.0 16V (14>)



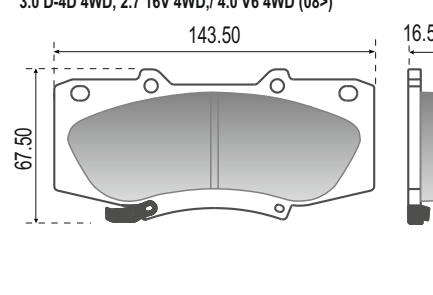
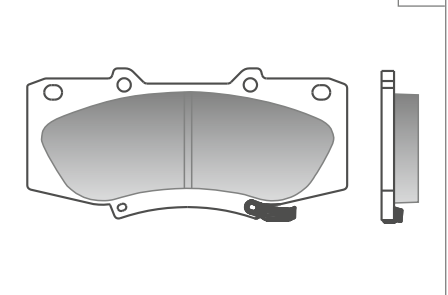
546

ETIOS 1.5 (2014>)



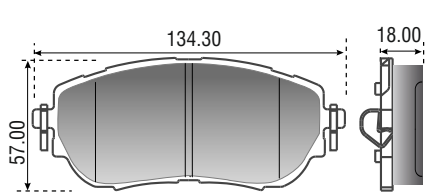
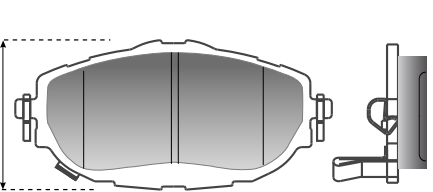
549

HILUX SW4 - HILUX 2.5 D-4D 4WD, 3.0 D-4D 4WD, 2.7 16V 4WD, 4.0 V6 4WD (08>) - TACOMA 2.5 D-4D 4WD, 3.0 D-4D 4WD, 2.7 16V 4WD/ 4.0 V6 4WD (08>)

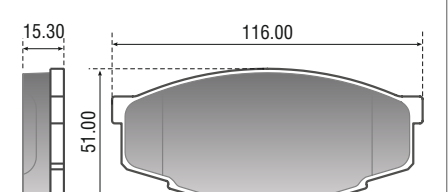
566

COROLLA 2.0 16V, 1.8 16V (2014>) - ALTIS 2.0 16V (2014>)

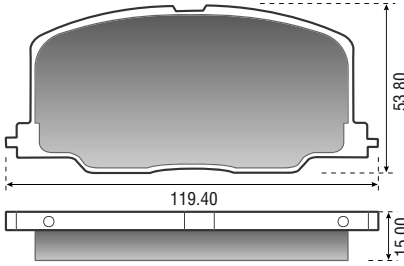
D207

CRESSIDA STATION WAGON 2.0, 2.4 - SUPRA 2.8 - MARK 2.0



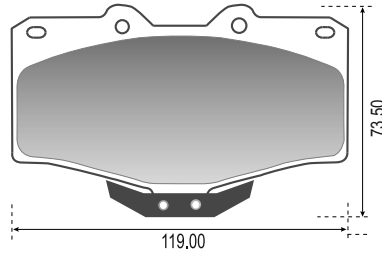
D356

4 RUNNER - CELICA (90>97) - CAMRY (90>93) - CORONA (90>93) - CARINA 1.6, 2.0(90>) - COROLLA 1.6, 1.8 (90>) LEXUS (95>) - CRESSIDA 2.0, 2.2 - CYNOS - HIACE 2.0, 2.4



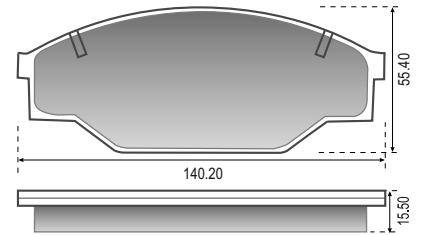
D436

RUNNER RV 4 (92>) - HILUX SW4 (96>00) - HILUX T100 1/2 Ton. 4X2, 4X4 - HILUX 1 Ton. 4X4 (99>) - 4 RUNNER (02>) - LAND CRUISER (93>) Sistema: Sumitomo



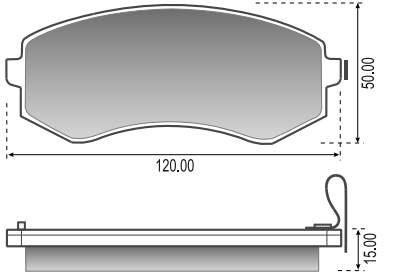
D438

HILUX 4x4 (92>) Sistema: AK



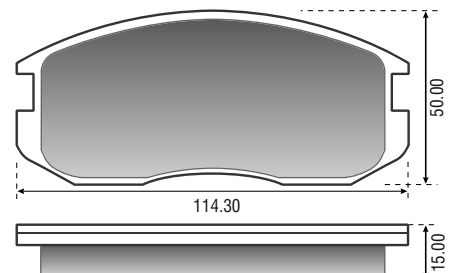
D422

RUNNER RV 4 4X2, 4X4 (98>) Sistema: BR



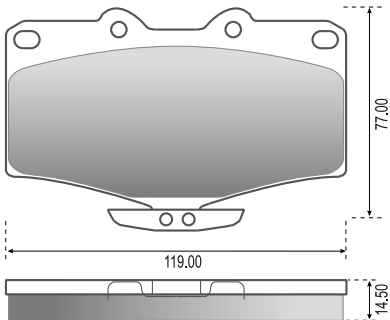
D535

CAMRY



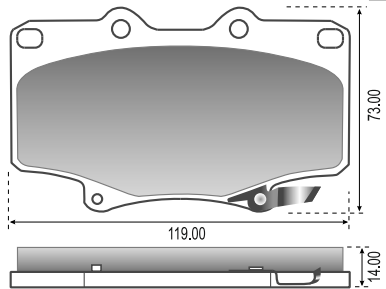
D611

4 RUNNER - T100 (92>98)



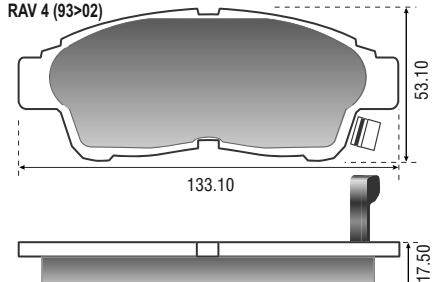
D502

LAND CRUISER (91>97) - BURBUJA 4500



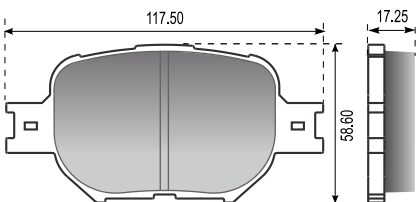
D562

CAMRY (91>01) - CARINA (90>) - CELICA (94>97) - COROLLA DX / LE (92>02) - CORONA 2.0 (92>) - RAV 4 (93>02)



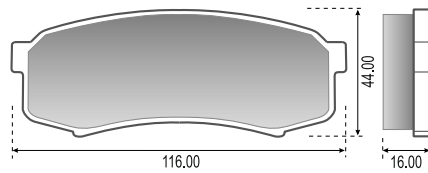
D817

COROLLA (2006>) 1.6 VVTi (04>07) - 1.8 VVTi (04>07) - CAMRY - CELICA 1.8 16V TS (99>05) - COASTER - HILUX - LAND CRUISER - RAV 4 - SUPRA



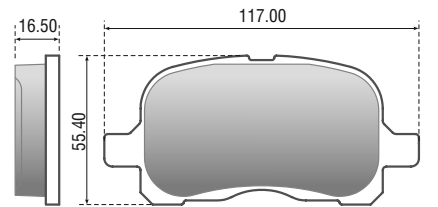
D606

TOYOTA 4500 - PRADO - 4 RUNNER - LAND CRUISER - LEXUS (91>97)



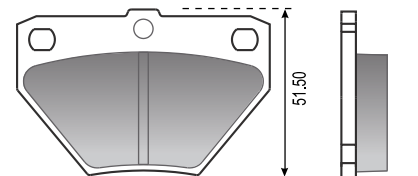
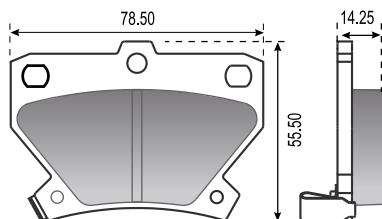
D741

COROLLA (98>02) - PASEO (98>99) - STARLET - CARINA - CAMRY CELICA - TERCEL - CYNOS



D823

COROLLA (2006>) 1.6 VVTi (02>07) - 1.8 VVTi (04>07) - CELICA 1.8 16V TS (99>05) - MATRIX 1.8 VVTi (01>04) - PRIUS 1.5 HYBRID (00>04) - YARIS 1.0 16V (02>05) - YARIS 1.5 VVTi TS (01>05)

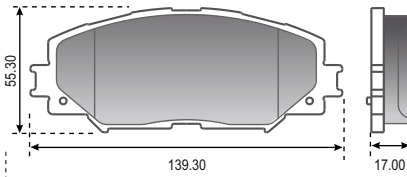


Pastillas para Freno / Brake Pads

TOYOTA

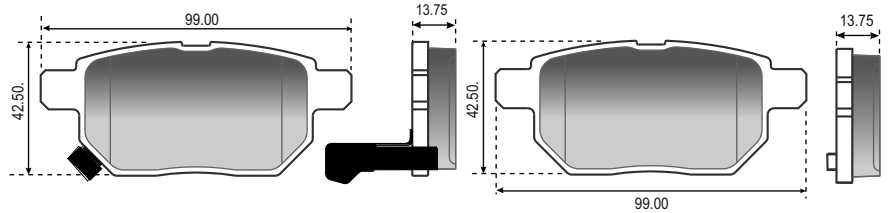
D1210

COROLLA XLI 2.0 Diesel (08>13) - RAV4 III 2.0 VVTi 4WD, 2.4 VVTi 4WD (08>13) - PRIUS



D1354

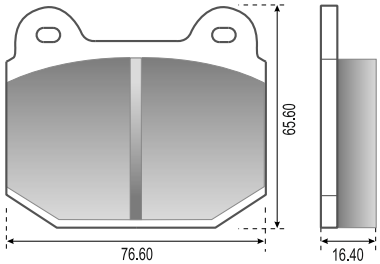
COROLLA XLI 2.0 Diesel (08>13) - RAV4 III (08>13) - YARIS (08>13)



VOLKSWAGEN

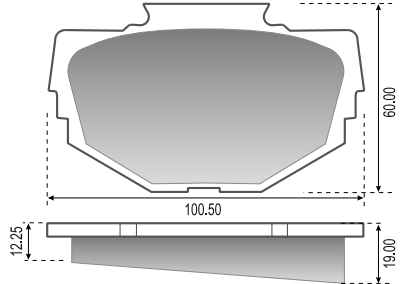
012

1500 - 1800
Sistema: BX



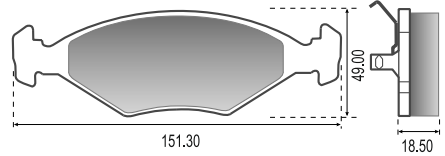
014

1500 - 1800
Sistema: Tensa



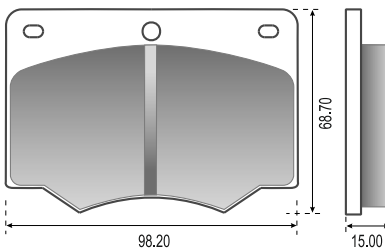
018

GACEL - CARAT (81>92) - GOL 1.0, 1.6 (95>00), 1.8 (>00)
PARATI - SAVEIRO 1.8 (86>95) - PASSAT - SANTANA 1.8 (84>89) - SENDA - VOYAGE (90>), 1.8 (84>95)
Traba guía de pistón: ø 37.00 mm
Sistema: ATE



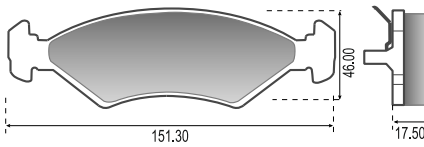
020

KOMBI - FURGON (76>86)



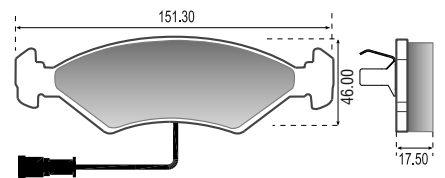
027

POINTER 1.6, 1.8, 2.0 (93>96) - LOGUS 1.6, 1.8 (93>97)
Traba guía de pistón: ø 43.00 mm
Sistema: ATE



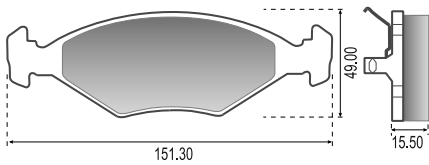
027B

APOLLO (90>92) (1 sensor)
Traba guía de pistón: ø 43 mm
Sistema: ATE



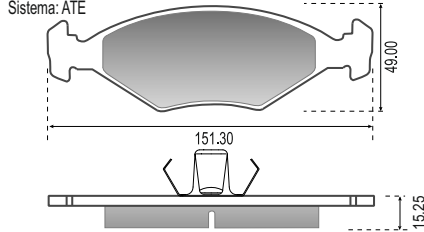
029

GOL 2.0 GTi - QUANTUM 1.8, 2.0 - SANTANA 1.8, 2.0 (88>96)
Traba guía de pistón: ø 37.00 mm
Sistema: ATE



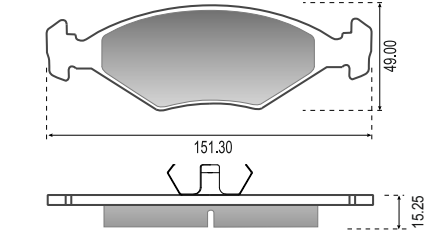
029A

PARATI 1.0 16V (97>09), 1.6, 1.8 (95>09), 2.0 (97>09) -
GOL 1.0, 1.6, 1.8 (07>00), 1.6, 1.8 (06>09) - POINTER (98>05) -
SAVEIRO 1.6, 1.8 (95>09), 2.0 (98>09)
Traba guía de pistón: ø 43.00 mm
Sistema: ATE



029B

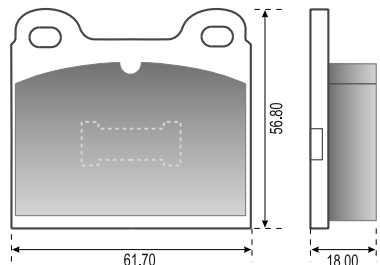
PARATI (96>01) - COUNTRY
Traba guía de pistón: ø 37.00 mm
Sistema: ATE



D96

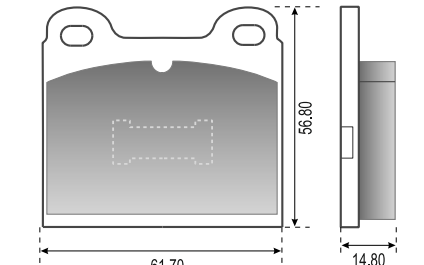
033

GOL 1.6 GL - GOL 1000 (92>94) - PARA TI (82>96)
PASSAT - SAVEIRO 1.6 (79>93) Sistema: ATE



034

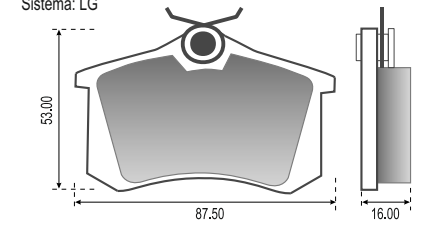
GOL 1.3 - SENDA (81>93) - GOL 1.6 - VOYAGE (80>83)
Sistema: ATE



D340

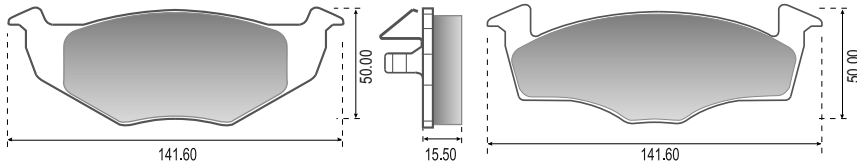
058

GOLF 1.6, 1.8, 1.9, 2.0 8V, 2.0 16V, 1.8 GTi (99>) -
GOLF VARIANT 2.0 GL (94>) - PASSAT 1.6, 1.8, 1.9TDI,
1.8i, 2.0i 16V CL, GL, GT, GTS, 2.0, 2.5 TDi, 2.8 V6 -
BORA 1.8, 2.0 (99>) - BEETLE 1.8, 1.9 TDi, 2.0, (91>)
Sistema: LG



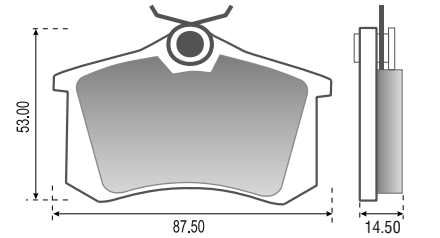
036

GOL TREND - VOYAGE POLO CLASSIC - POLO 1.9 DIESEL - CADDY (97>) - GOLF 1.8 GL, GLX (95>)
Para Disco Ventilado de 20 mm - Traba guía de pistón: Ext. ø 42.50 mm - Int. ø 38.80 mm
Sistema: KH



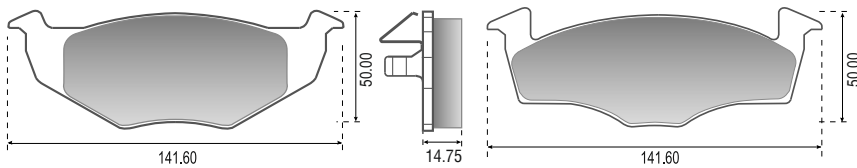
058A

BORA 2.0 8V (00>10) - GOLF 1.6 (99>12), 2.0 (99>12) - POLO 2.0 8V
Sistema: LG



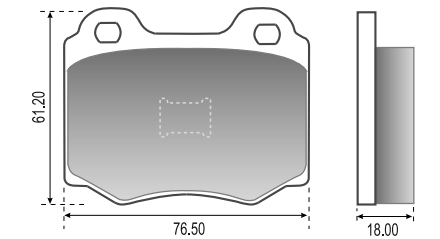
036B

GOLF III (95>98) - POLO CLASSIC - FOX 1.0 12V (14>), 1.0 8V (EA111) (03>14), 1.6 8V (EA111) (03>14) Rodado 13"
Para Disco Ventilado de 20 mm - Traba guía de pistón: Ext. ø 42.50 mm - Int. ø 38.80 mm
Sistema: ATE



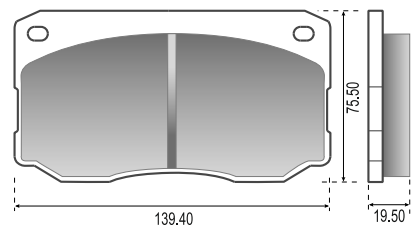
064

SENDA 1.6 - GOL 1.0, 1.6 - SAVEIRO 1.6 (94>96) - PARATI (BR) - VOYAGE 1.6 (BR)
Sistema: ATE



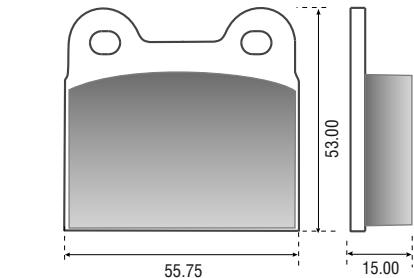
068A

5-140 (05>12) - 8-140 - VOLKSBUS 5.150
Sistema: Varga



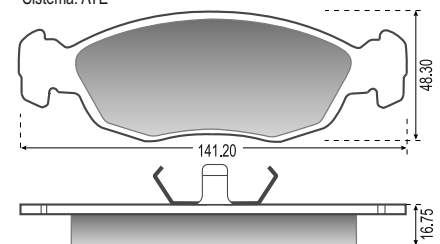
080

FUSCA (70>96) - BRASILIA - ESCARABAJO
Sistema: ATE



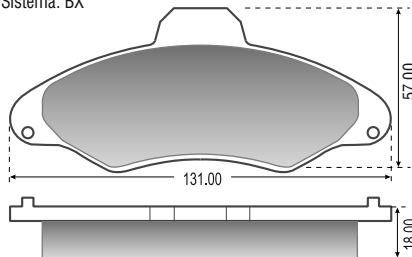
083

VOYAGE (83>93)
Traba guía de pistón: ø 37.00 mm
Sistema: ATE



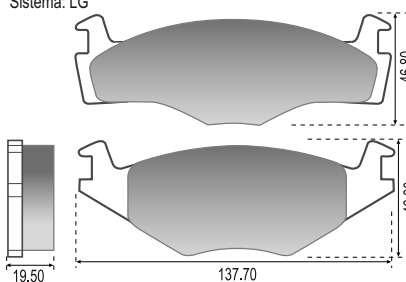
085N

LOGUS 1.6, 1.8 (93>97) - POINTER 1.6,1.8 (95>96) VERONA 1.6,1.8 (93>96)
Sistema: BX



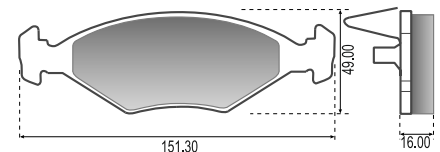
086

GOLF GL, GLX 1.8 (94>) - QUANTUM 1.8, 2.0 - POLO CLASSIC (>96) Disco Solido
Sistema: LG



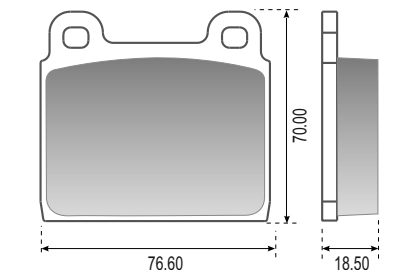
087

GOL (00>)
Traba guía de pistón: ø 43.00 mm
Sistema: ATE



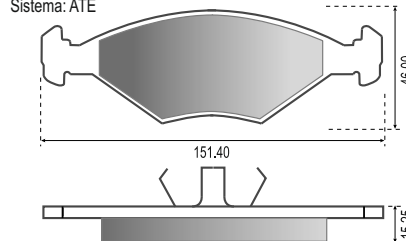
089

COMBI 1.6 (74>88), 1.8 (89>01) - KOMBI (82>)
Sistema: ATE



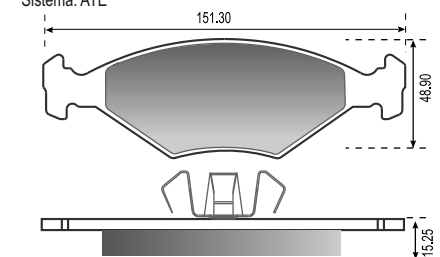
092

GOL 1.0, 1.6, 1.8 (00>) - GOL COUNTRY - PARATI - SAVEIRO 1.6, 1.8 (95>)
Traba guía de pistón: ø 43.00 mm
Sistema: ATE



093

GOL TREND - VOYAGE - GOL 1.0, 1.6, 1.8 - PARATI 1.0, 1.6, 1.8, 2.0 - SAVEIRO 1.6, 1.8, 2.0 (09>)
Sistema: ATE

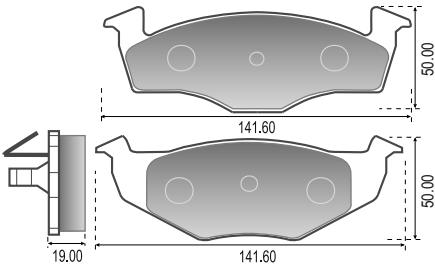


Pastillas para Freno / Brake Pads

VOLKSWAGEN

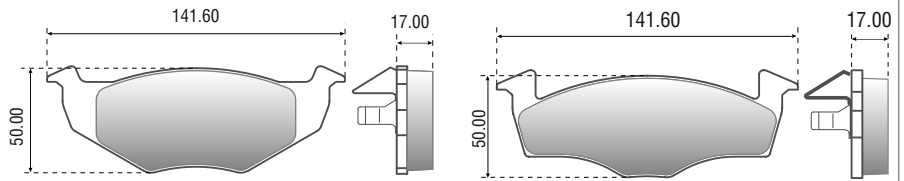
096

GOL 1.6 (08>) - GOL 1.8 (95>) - POLO CLASSIC (96>)
Traba guía de pistón: Ext. \varnothing 42.50 mm - Int. \varnothing 38.80 mm -
Para disco sólido de 12 mm



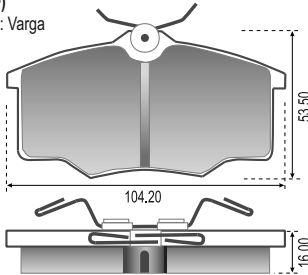
096A

VOYAGE - TREND - NEW SAVEIRO 1.6 (2010>)
Traba guía de pistón: Ext. \varnothing 42.50 mm - Int. \varnothing 38.80 mm - Para Disco ventilado de 18 mm



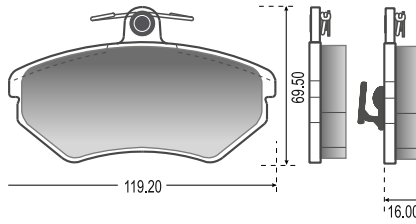
108

GOL 1.0, 1.6, 1.8, 2.0 NAFTA, 1.9 DIESEL (96>) -
GOL 1.0 ESPECIAL (98>) - PARATI - SAVEIRO 1.6
1.8 (95>)
Sistema: Varga



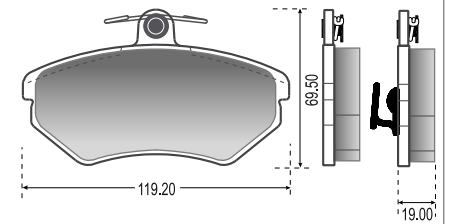
116

GOLF GTI 2.0 - VARIANT 2.0 GL - PASSAT 1.8i, 2.0i 16V CL,
GL, GLS, GT - POLO (89>) Disco Ventilado
Sistema: LG



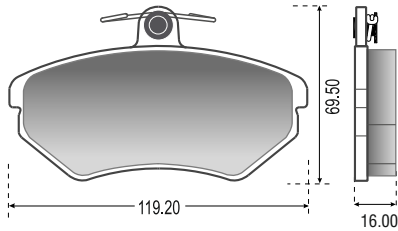
116A

GOLF GTI 2.0 - POLO - PASSAT 1.6, 1.9
Discos Sólido
Sistema: LG



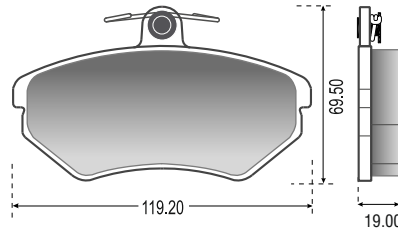
116B

GOLF GTI 2.0, 1.8 - JETTA - POLO - PASSAT 1.6, 1.9
Disco Ventilado
Sistema: LG



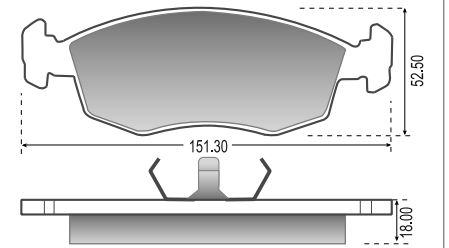
116C

GOLF GTI 2.0, 1.8 - JETTA - POLO - PASSAT 1.6, 1.9
Disco Sólido
Sistema: LG



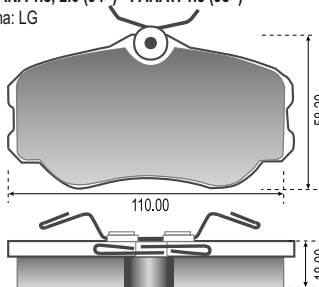
120

POINTER 2.0 GTI (94>)
Traba guía de pistón: \varnothing 49.00 mm
Sistema: ATE



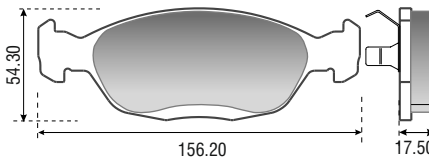
122

GOL GTI 2.0 (94>), GTI 16V - QUANTUM 1.8, 2.0 -
SANTANA 1.8, 2.0 (94>) - PARATI 1.8 (95>)
Sistema: LG



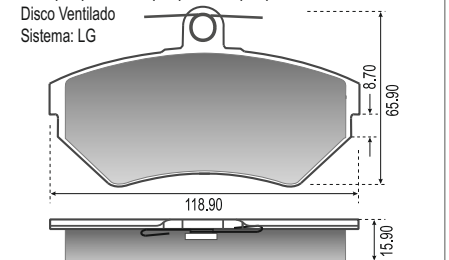
123

GOL GTI - PARATI 1.8 - QUANTUM 1.8, 2.0 - SANTANA
1.8, 2.0 (94>) - SAVEIRO 2.0 (98>)
Sistema: ATE



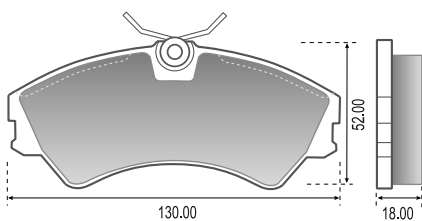
D704

GOLF 1.9 TDL (97>), 2.0 GTI - GOLF VARIANT 2.0 GL -
PASSAT 1.6, 1.8i, 2.0i 16V CL, GL, GT, GLS (89>),
1.9D (97>) - CADDY (00>) - POLO (00>)
Disco Ventilado
Sistema: LG



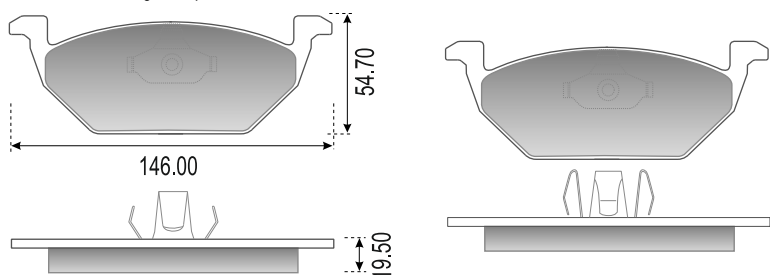
340

TRANSPORTER 14" (90>)
Sistema: LG



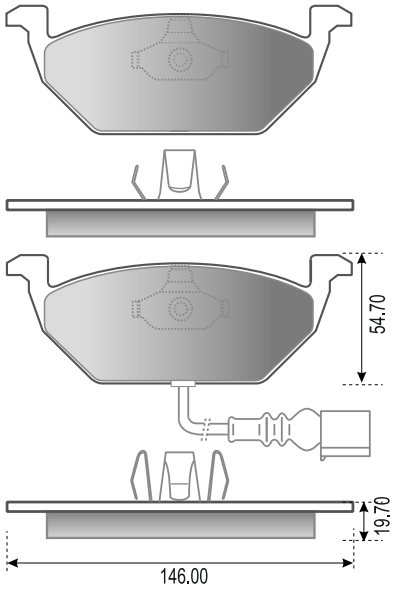
362

BORA 2.0 - GOLF 1.6, 2.0 8V - POLO 1.6 - FOX 1.6 - SURAN 1.6 - NEW BEETLE 2.0 8V - UP 1.0 MPI High, Move, Take,
Black, Red, White - Traba guía de pistón: Ext. \varnothing 42.50 mm Int. \varnothing 51.50 mm Sistema: ATE



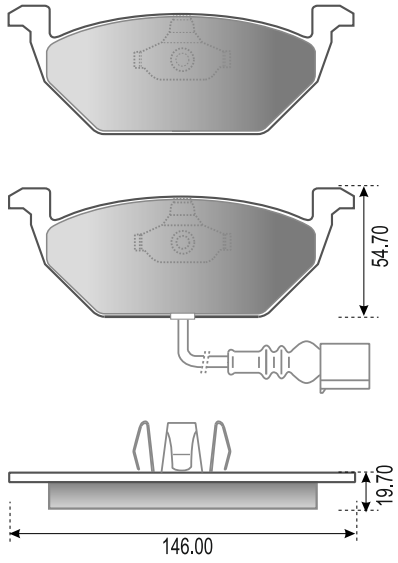
D768 363

BORA 2.0 (00>) - FOX 1.6 (04>) NEW BEETLE 2.0 8V (99>) - GOLF SERIE IV 1.6, 1.8, 1.9, 2.0 8V (99>02) - PASSAT - UP 1.0 MPI High, Move, Take, Black, Red, White
Traba guía de pistón: Ext. \varnothing 42.50 mm - Int. \varnothing 51.50 mm
Sistema: ATE



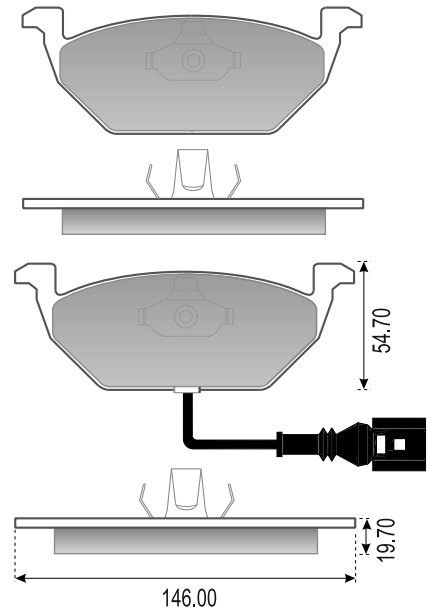
363A

FOX 1.6 - GOLF 1.6, 2.0 8V - POLO 1.6 (02>) - SURAN 1.6, 1.9 D (06>) (indicador de desgaste)
Traba guía de pistón: \varnothing 51.50 mm
Sistema: ATE



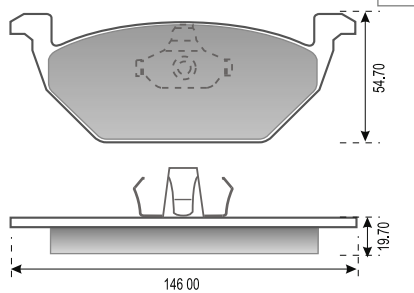
363C

GOLF 1.6 (03>13), 2.0 8V (02>14) - POLO 1.0 16V (03>07)
Rodado 14"
Traba guía de pistón: \varnothing 42.50 mm
Sistema: ATE



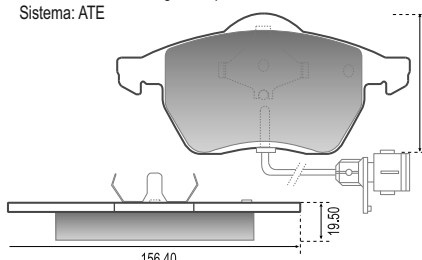
363B

SURAN - Traba guía de pistón: \varnothing 42.00 mm - araña chica



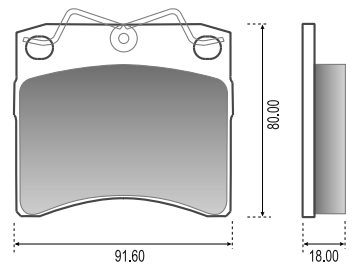
D555 364

BORA 1.8T, 2.5 V5, 2.8 V6 - NEW BEETLE 1.8T (98>), 2.3 V5, RSI 3.2 - PASSAT - GOLF SERIE IV (01>) - JETTA 1.8, 2.8 Traba guía de pistón: \varnothing 46.00 mm
Sistema: ATE



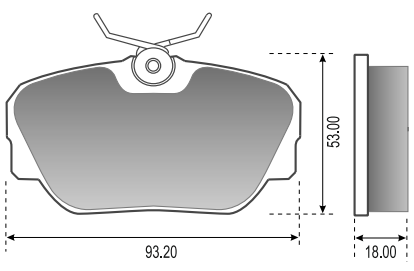
393

TRANSPORTER 1.9D, TD, 2.0, 2.4, 2.5 (90>), EUROVAN 2.4
Sistema: LG



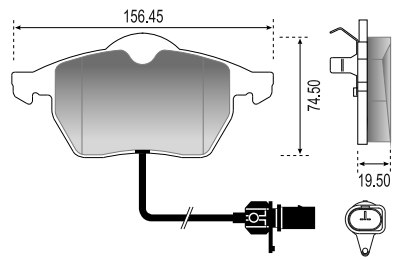
395

TRANSPORTER (97>)
Sistema: LG



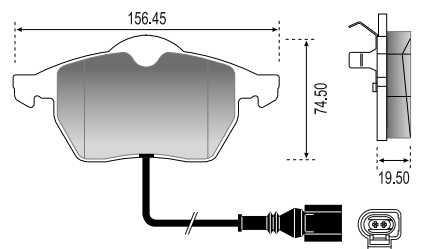
484

PASSAT 1.6, 1.8, 1.9 TDi, 2.0, 2.3 VR5, 2.5 TDi, 2.8 V6 (2000>)



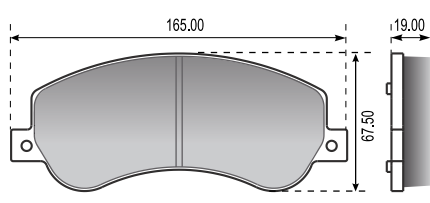
485

GOLF IV 1.8, 2.3, 2.8, 1.9 TDi - NEW BEETLE 1.8, 2.3, 3.2 (99>) - BORA 1.8, 1.9, 2.0 (99>), 1.8T, 2.3



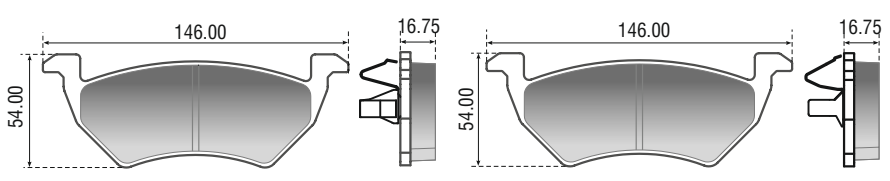
521

AMAROK CD 2.0 16V (10>) - AMAROK 2.0 TD HIGHLINE / TREDLINE
Sistema: Bosch



536

GOL 1.0, 1.6 - GOL TREND (08>) - PARATI 1.0, 1.6 - SAVEIRO 1.6 8V, 1.6 16V (15>) - VOYAGE 1.0, 1.6 (2008>)



Pastillas para Freno / Brake Pads

VOLKSWAGEN

537

VOYAGE / TREND (08>) - GOL 1.0, 1.6 (08>11) - SAVEIRO 1.0, 1.6 (08>11) - PARATI 1.0, 1.6 (08>11)

570

SHARAN - TIGUAN
Sistema: TRW

569

SHARAN 1.4 Blue Motion (11>), 2.0TSI (11>) - TIGUAN 2.0 TFSI (12>), 2.0 TDI (11>) - JETTA (10>) - PASSAT (10>)
Sistema: ATE

D649

POINTER 1.6, 1.8, 2.0 (93>96) - LOGUS 1.6, 1.8 (93>97)
Traba guía de pistón: ø 43.00 mm
Sistema: ATE

D882

SHARAN

D1107

BORA 2.0 16v, 2.0 TDI 16v, EOS 2.0 FSI, 2.0 TDI, 3.6 FSI (06>) - GOLF GTI - JETTA 1.6i, 1.6 FSI, 1.9 TDI, 2.0 TDI, 2.0 FSI (05>) - NEW BEETLE - PASSAT VI 1.6i, 1.6 FSI, 1.9 TDI, 2.0 TDI, 2.0 FSI, 3.6 - VARIANT 3.2 FSI V6 - CC 1.8 FSI, 2.0TDI, FSI, 3.6 (08>) - VENTO 2.0 TDI, TFSI, 2.5 FSI (11>) - VARIANT 2.5, 2.0TDI - TOURAN - TIGUAN (09>) Sistema: Teves

D1108

BORA 2.0 (07>) - 2.5 (09>), 2.0 TDI 16v, EOS 2.0 FSI, 2.0 TDI, 3.6 FSI (06>) - GOLF GTI - JETTA 1.6i, 1.6 FSI, 1.9 TDI, 2.0 TDI, 2.0 FSI (05>) - NEW BEETLE (07>) - PASSAT VI 1.6i, 1.6 FSI, 1.9 TDI, 2.0 TDI, 2.0 FSI, 3.6 - VARIANT - CC 1.8 FSI, 2.0TDI, FSI, 3.6 R36 4 MOTION (08>) - WAGON (07>) - VENTO 2.0 TFSI, 2.5 FSI, 2.0 TDI (11>) - VARIANT 2.0TDI, 2.5 - TOURAN - TIGUAN (09>) - SAVEIRO 1.6 8V/16V (15>)

D1273

ROUTAN 3.8 (09>10), 4.0

D1268

CRAFTER 5.0 TON (08>10)

D1318

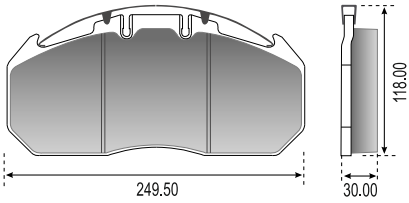
CRAFTER 5.0 TON (08>10)

D1456

VENTO - GOLF VI (11>) - JETTA 2.0/TSI

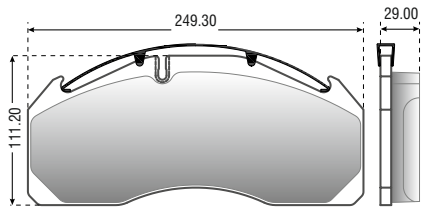
474

CAMIÓN B12 - 2° y 3° eje Bus articulado - B9 - SERIES ARTICULADO 2do. y 3er. Eje



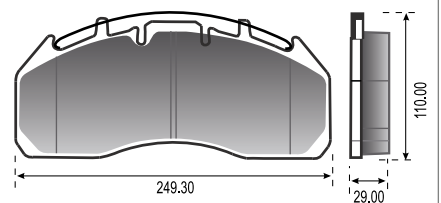
475

B7 (05>) - B9 (05>) - B12 (01>) - FL618 (00>) - FM9 (01>) - FM12 (01>) - FH12 (01>) - FH16 (01>) - B9 Primer Eje



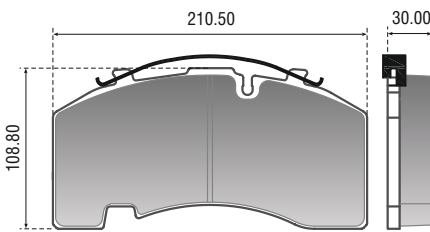
503

B7 FE - B12 FH



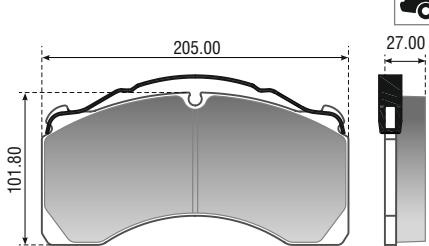
504

VOLVO TRUCKS



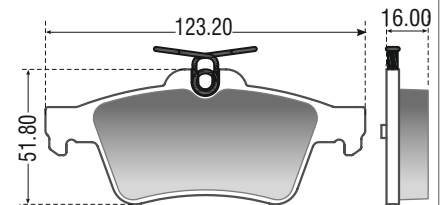
505

ROR LM - LMC - TM MERITOR



526

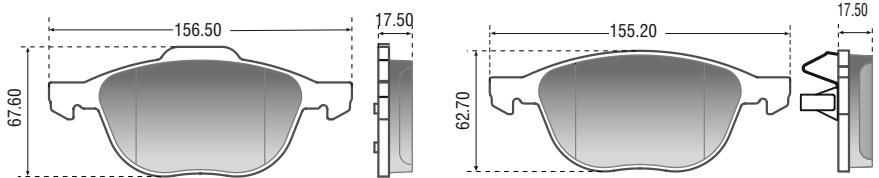
S40 1.6, 1.8, 2.5 (05>) - V50 2.5 (05>07) - C30 1.6, 1.8, 2.0, 2.4 - C70 2.4, 2.5



522

C30 2.4, 2.5 (08>10), 1.6D, 1.6i, 1.8i, 2.0D, 2.0i - D5 - T5 (06>) - C70 300 mm (08>09) - C70 278 mm/305 mm (10>) - C70 2.4 - D5 (06>) S40 1.6, 1.8, 2.0, 2.4 - V50 SW 1.8, 2.0, 2.4 278 mm/305 mm (08>10)

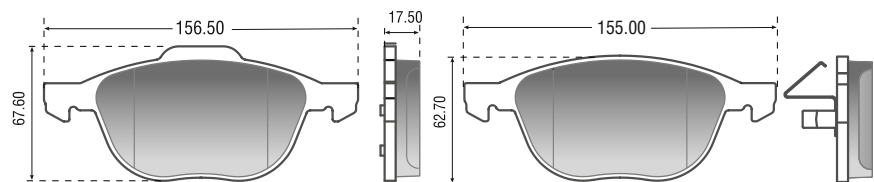
Sistema: ATE Traba guía de Pistón: ø 54 mm



522A

C30 (07>10), 2.5 (07>10) Traba guía de Pistón: ø 45 mm

Sistema: ATE



DETALLE / DETAIL

Código	Marca / Brand	Piezas / Pieces
001	CHRYSLER	4 piezas iguales
003	FIAT	4 piezas iguales
004	FIAT	4 piezas iguales
005	FIAT - PEUGEOT	4 piezas iguales
010	CHRYSLER - FORD - GM - RENAULT	4 piezas iguales
012	CHRYSLER - GM - VOLKSWAGEN	4 piezas iguales
013	DACIA - FIAT - RENAULT	2 piezas con seguro posicionador izquierdo / 2 piezas con seguro posicionador derecho
014	CHRYSLER - RENAULT - VW	2 piezas derechas / 2 piezas izquierdas
016	FORD - GENERAL MOTORS - PUMA	4 piezas iguales
017	RENAULT	4 piezas iguales
018	VOLKSWAGEN	2 piezas interiores con traba guía de pistón \varnothing 37.00 mm / 2 piezas exteriores
019	FIAT	4 piezas iguales
020	FORD - VOLKSWAGEN	4 piezas iguales
021	PEUGEOT	2 piezas con sensor de desgaste / 2 piezas sin sensor de desgaste
022	GENERAL MOTORS	4 piezas iguales
024	RENAULT	2 piezas con sensor de desgaste / 2 piezas sin sensor de desgaste
025	CITROEN	2 piezas con sensor de desgaste / 2 piezas sin sensor de desgaste
026	PEUGEOT	2 piezas con sensor de desgaste / 2 piezas sin sensor de desgaste
027	FORD - KIA - VOLKSWAGEN	2 piezas exteriores / 2 piezas interiores con traba guía de pistón \varnothing 43.00 mm
027B	FORD - VOLKSWAGEN	2 piezas exteriores / 2 piezas interiores con traba guía de pistón \varnothing 43.00 mm (1 sensor)
027D	FORD	2 piezas exteriores / 2 piezas interiores con traba guía de pistón \varnothing 43.00 mm (2 sensores)
028	RENAULT	4 piezas iguales
029	FORD - VOLKSWAGEN	2 piezas exteriores / 2 piezas interiores con traba guía de pistón \varnothing 37.00 mm
029A	VOLKSWAGEN	2 piezas exteriores / 2 piezas interiores con traba guía de pistón \varnothing 43.00 mm
029B	VOLKSWAGEN	2 piezas exteriores / 2 piezas interiores con traba guía de pistón \varnothing 37.00 mm
030	RENAULT	4 piezas iguales
031	RENAULT	2 piezas con sensor de desgaste / 2 piezas sin sensor de desgaste
032	PG52 CHRYSLER - DINA - GM	1 pieza interior derecha con anclaje / 1 pieza interior izquierda con anclaje / 2 piezas exteriores
033	PG96 VOLKSWAGEN	4 piezas iguales (2 con ranura)
034	GENERAL MOTORS - VOLKSWAGEN	4 piezas iguales (2 con ranura)
035	FIAT	4 piezas iguales
036	SEAT - VOLKSWAGEN	2 piezas exteriores con traba guía de pistón \varnothing 42.5 mm / 2 piezas interiores con traba guía de pistón \varnothing 38.8 mm
036B	VOLKSWAGEN	2 piezas exteriores con traba guía de pistón \varnothing 42.5 mm / 2 piezas interiores con traba guía de pistón \varnothing 38.8 mm
037	FIAT	2 piezas interiores con traba guía de pistón \varnothing 37 mm y sensor / 2 piezas exteriores sin sensor
039	PEUGEOT	2 piezas interiores con traba guía de pistón \varnothing 43 mm y sensor / 2 piezas exteriores sin traba guía de pistón
040	FIAT	2 piezas interiores con traba guía de pistón \varnothing 37 mm / 2 piezas exteriores
040A	FIAT	2 piezas interiores con traba guía de pistón \varnothing 41 mm / 2 piezas exteriores
040D	FIAT	2 piezas interiores con traba guía de pistón \varnothing 37 mm y sensor de desgaste / 2 piezas exteriores
041	CITROEN - PEUGEOT - RENAULT	2 piezas con sensor de desgaste / 2 piezas sin sensor de desgaste

DETALLE / DETAIL

Código	Marca / Brand	Piezas / Pieces
042	D50 AGRALE - FORD - GENERAL MOTORS	2 piezas interiores / 2 piezas exteriores
043	RENAULT	2 piezas con sensor de desgaste / 2 piezas sin sensor de desgaste
044	ALFA ROMEO - FIAT	2 piezas con conector / 2 piezas sin conector
045	FIAT	2 piezas con sensor de desgaste / 2 piezas sin sensor de desgaste
046	FIAT	4 piezas iguales
047	RENAULT	2 piezas con sensor de desgaste / 2 piezas sin sensor de desgaste
048	FIAT	2 piezas con sensor de desgaste / 2 piezas sin sensor de desgaste
050	FIAT	4 piezas iguales
051	FIAT	2 piezas interiores con traba guía de pistón \varnothing 43.00 mm y sensor / 2 piezas exteriores sin sensor
052	CITROEN - FIAT - PEUGEOT	2 piezas con sensor de desgaste / 2 piezas sin sensor de desgaste
053	PEUGEOT	2 piezas con sensor de desgaste / 2 piezas sin sensor de desgaste
054	CITROEN - MB - PEUGEOT	2 piezas con sensor de desgaste / 2 piezas sin sensor de desgaste
054A	CITROEN - PEUGEOT	4 piezas iguales con sensor de desgaste
055	CITROEN - PEUGEOT - RENAULT	1 pieza con sensor de desgaste derecho / 1 pieza con sensor de desgaste izquierdo / 2 piezas sin sensor de desgaste
056	PEUGEOT	2 piezas con sensor de desgaste / 2 piezas sin sensor de desgaste
057	FIAT	2 piezas interiores con traba guía de pistón \varnothing 37 mm y sensor / 2 piezas exteriores sin sensor
058	D340 ALFA ROMEO - AUDI - CITROEN - PEUGEOT RENAULT - SEAT - VW	4 piezas iguales
058A	CITROEN - PEUGEOT - RENAULT - VOLKSWAGEN	4 piezas iguales
059	FORD - GENERAL MOTORS	4 piezas iguales
060	LADA	4 piezas iguales
061	FIAT	2 piezas con sensor de desgaste / 2 piezas sin sensor de desgaste
062	CITROEN - PEUGEOT - RENAULT	2 piezas interiores con sensor / 2 piezas exteriores
063	RENAULT	2 piezas derechas / 2 piezas izquierdas
064	VOLKSWAGEN	4 piezas iguales
065	FORD - GENERAL MOTORS	2 piezas con sensor de desgaste / 2 piezas sin sensor de desgaste
066M	MERCEDES BENZ	4 piezas iguales (4 cables por juego)
067	MB - NISSAN - RENAULT	2 piezas interiores / 2 piezas exteriores
068	AGRALE - DEUTZ - FORD - HYUNDAI - MARCO POLO - PUMA	4 piezas iguales
068A	FORD - MARCO POLO - VW	4 piezas iguales
069	FIAT - FORD	4 piezas iguales
070	FORD - GENERAL MOTORS - PUMA	4 piezas iguales
071	FIAT	2 piezas con sensor de desgaste / 2 piezas sin sensor de desgaste
072	FORD - MAZDA	2 piezas interiores con traba guía de pistón \varnothing 37 mm / 2 piezas exteriores sin traba guía de pistón
073	PEUGEOT - RENAULT	2 piezas con sensor de desgaste / 2 piezas sin sensor de desgaste
074	CITROEN - PEUGEOT - RENAULT	4 piezas iguales
075	FORD - GENERAL MOTORS	4 piezas iguales
076	FIAT	2 piezas interiores con traba guía de pistón \varnothing 37 mm y sensor / 2 piezas exteriores sin sensor
077	CITROEN - PEUGEOT	2 piezas interiores con traba guía de pistón \varnothing 36 mm y sensor / 2 piezas exteriores sin sensor

Pastillas para Freno / Brake Pads

DETALLE / DETAIL		
Código	Marca / Brand	Piezas / Pieces
078	FORD	2 piezas interiores con traba guía de pistón ø 36 mm / 2 piezas exteriores
078A	FORD	2 piezas exteriores / 2 piezas interiores con Traba guía de pistón: ø 41 mm
079	DAEWOO - GENERAL MOTORS	4 piezas iguales
080	ALFA ROMEO - GURGEL - PUMA - VW	4 piezas iguales
081	D363 GENERAL MOTORS - ISUZU	2 piezas interiores con sensor de desgaste / 2 piezas exteriores con sensor de desgaste
082	FIAT	2 piezas interiores con traba guía de pistón ø 43 mm / 2 piezas exteriores sin traba guía de pistón
083	DAEWOO - GM - JAGUAR - SUZUKI VOLKSWAGEN	2 piezas interiores con traba guía de pistón ø 37 mm / 2 piezas exteriores sin traba guía de pistón
083A	GENERAL MOTORS	2 piezas exteriores / 2 piezas interiores con Traba guía de pistón
084	PEUGEOT - RENAULT	4 piezas iguales
085	FORD	2 piezas con seguro derecho / 2 piezas con seguro izquierdo con sensor metálico
085N	CITROEN - FORD - VOLKSWAGEN	4 piezas iguales sin sensor de desgaste
086	SEAT - VOLKSWAGEN	2 piezas interiores / 2 piezas exteriores
086A	FIAT	2 piezas interiores / 2 piezas exteriores
087	FIAT - VOLKSWAGEN	2 piezas interiores con traba guía de pistón ø 43mm / 2 piezas exteriores sin traba guía de pistón
087D	FIAT	2 piezas interiores con traba guía de pistón ø 43mm y sensor / 2 piezas exteriores
088	FIAT	2 piezas interiores con traba guía de pistón ø 36 mm / 2 piezas exteriores sin traba guía de pistón
089	CLARK - GURGEL - VOLKSWAGEN	4 piezas iguales
090	CITROEN - PEUGEOT - RENAULT	4 piezas iguales
091	FORD	2 piezas interiores / 2 piezas exteriores con traba guía de pistón
092	VOLKSWAGEN	2 piezas interiores con traba guía de pistón ø 43mm / 2 piezas exteriores
093	FIAT - VOLKSWAGEN	2 piezas interiores / 2 piezas exteriores con traba guía de pistón ø 50.3 mm
093A	FIAT	2 piezas interiores / 2 piezas exteriores con traba guía de pistón ø 50.3 mm
094	MB - NISSAN - RENAULT	2 piezas con bigote y sensor / 2 piezas sin bigote
095	FORD - GENERAL MOTORS	4 piezas iguales
096	AUDI - SEAT - VOLKSWAGEN	2 piezas exteriores con traba guía de pistón ø 42.5 mm / 2 piezas interiores con traba guía de pistón ø 38.8 mm
096A	AUDI - VOLKSWAGEN	2 piezas interiores con traba guía de pistón / 2 piezas exteriores con traba guía de pistón
097	RENAULT	4 piezas iguales
098	FORD - MAZDA	2 piezas interiores con traba guía de pistón ø 43 mm / 2 piezas exteriores sin traba guía de pistón
100	DAEWOO - GENERAL MOTORS	2 piezas interiores con traba guía de pistón ø 43 mm / 2 piezas exteriores sin traba guía de pistón
103	GENERAL MOTORS	4 piezas iguales
105	GENERAL MOTORS - MERCEDES BENZ	2 piezas interiores con traba guía de pistón ø 43 mm / 2 piezas exteriores sin traba guía de pistón
105D	MERCEDES BENZ	4 piezas iguales (con traba guía de pistón y sensor de desgaste)
107	GENERAL MOTORS - TOYOTA	2 piezas con bigote / 2 piezas sin bigote
108	FORD - GM - VOLKSWAGEN	2 piezas con bigote / 2 piezas sin bigote
110	D303 TOYOTA	4 piezas iguales
114	D756 FORD	4 piezas iguales

DETALLE / DETAIL

Código	Marca / Brand	Piezas / Pieces
115 D652	AGRALE - FORD - KIA - MAZDA	2 piezas exteriores sin sensor de desgaste / 2 piezas interiores con sensor de desgaste
116	AUDI - VOLKSWAGEN	4 piezas iguales (2 con bigote)
116A	AUDI - VOLKSWAGEN	4 piezas iguales (2 con bigote)
116B	SEAT - VOLKSWAGEN	4 piezas iguales
116C	VOLKSWAGEN	4 piezas iguales
117	GENERAL MOTORS	2 piezas interiores / 2 piezas exteriores
118	TOYOTA	2 piezas con sensor derecho / 2 piezas con sensor izquierdo
119	FIAT	2 piezas interiores con traba guía de pistón \varnothing 43 mm / 2 piezas exteriores sin traba guía de pistón
119A	FIAT	2 piezas interiores con traba guía de pistón \varnothing 51.50 mm / 2 piezas exteriores sin traba guía de pistón
119B	FIAT	2 piezas interiores con traba guía de pistón \varnothing 51.50 mm y sensor de desgaste 2 piezas exteriores sin traba guía de pistón
119C	FIAT	2 piezas interiores con traba guía de pistón \varnothing 43 mm y sensor de desgaste 2 piezas exteriores sin traba guía de pistón
120	FORD - VOLKSWAGEN	2 piezas interiores con traba guía de pistón \varnothing 49 mm / 2 piezas exteriores sin traba guía de pistón
121	FIAT	2 piezas interiores con traba guía de pistón \varnothing 43 mm / 2 piezas exteriores
121D	FIAT	2 piezas interiores con traba guía de pistón \varnothing 43 mm y sensor de desgaste 2 piezas exteriores
122	FORD - VOLKSWAGEN	2 piezas con bigote / 2 piezas sin bigote
123	FORD - VOLKSWAGEN	2 piezas exteriores / 2 piezas interiores con Traba guía de pistón
124	PEUGEOT - RENAULT	2 piezas con sensor de desgaste / 2 piezas sin sensor de desgaste
127 D704	AUDI - SEAT - VOLKSWAGEN	4 piezas iguales
129	KIA - MAZDA	2 piezas con sensor de desgaste / 2 piezas sin sensor de desgaste metálico
131	GENERAL MOTORS	4 piezas iguales
242 D242	TOYOTA	4 piezas iguales
266 D266	NISSAN	2 piezas interiores con seguro / 2 piezas exteriores sin seguro
303	CITROEN - PEUGEOT	2 piezas interiores con sensor de desgaste / 2 piezas exteriores con sensor de desgaste
306	CITROEN - PEUGEOT - FIAT	4 piezas iguales
306A	CITROEN - FIAT - PEUGEOT	2 piezas con sensor de desgaste / 2 piezas sin sensor de desgaste
307 D745	FORD	2 piezas interiores con traba guía de pistón \varnothing 49.53 mm y sensor de desgaste 2 piezas exteriores
307A	FORD	2 piezas interiores con traba guía de pistón \varnothing 49.53 mm y sensor de desgaste 2 piezas exteriores
307N	FORD	2 piezas interiores con traba guía de pistón \varnothing 49.53 mm / 2 piezas exteriores
310	FORD	2 piezas interiores con traba guía de pistón \varnothing 49.53 mm y sensor de desgaste 2 piezas exteriores
311	FORD	4 piezas iguales
312	FORD	4 piezas iguales
314 D536	ACURA - HONDA - ISUZU	2 piezas con sensor de desgaste metálico / 2 piezas sin sensor de desgaste metálico
314 D537	HONDA - ROVER	2 piezas con sensor de desgaste metálico / 2 piezas sin sensor de desgaste metálico
314A	HONDA	2 piezas con sensor de desgaste metálico y traba guía de pistón / 2 piezas sin sensor de desgaste metálico

DETALLE / DETAIL

Código	Marca / Brand	Piezas / Pieces	
327	ROVER	4 piezas iguales (2 con sensor)	
331	GENERAL MOTORS	2 piezas interiores con traba guía de pistón \varnothing 45.97 mm / 2 piezas exteriores	
333	GENERAL MOTORS	4 piezas iguales	
334	CADILLAC - GENERAL MOTORS	4 piezas iguales	
340	VOLKSWAGEN	4 piezas iguales	
343	ALFA ROMEO - FIAT	2 piezas interiores con sensor y traba guía de pistón \varnothing 48.00 mm / 2 piezas exteriores	
344	ALFA ROMEO - FIAT	4 piezas iguales	
349	ALFA ROMEO - FIAT	2 piezas con traba guía de pistón \varnothing 48.00 mm (1 sensor) / 2 piezas sin traba guía de pistón	
349A	FIAT	2 piezas con traba guía de pistón \varnothing 48.00 mm / 2 piezas sin traba guía de pistón	
349B	FIAT	2 piezas con traba guía de pistón \varnothing 48.00 mm (1 sensor) / 2 piezas sin traba guía de pistón	
349C	FIAT	2 piezas con traba guía de pistón \varnothing 50.3 mm (1 sensor) / 2 piezas sin traba guía de pistón	
349D	FIAT	2 piezas con traba guía de pistón \varnothing 50.3 mm (1 sensor) / 2 piezas sin traba guía de pistón	
349E	FIAT	2 piezas con traba guía de pistón \varnothing 50.3 mm (1 sensor) / 2 piezas sin traba guía de pistón	
350	IVECO - MERCEDES BENZ	2 piezas con sensor de desgaste / 2 piezas sin sensor de desgaste	
350N	MERCEDES BENZ	4 piezas iguales sin sensor de desgaste	
351	RENAULT	2 piezas con seguro posicionador derecho / 2 piezas con seguro posicionador izquierdo	
352	ROVER	4 piezas iguales	
355	IVECO	2 piezas con sensor de desgaste / 2 piezas sin sensor de desgaste	
360	ALFA ROMEO	4 piezas iguales	
362	AUDI - SEAT - VOLKSWAGEN	2 piezas interiores con traba guía de pistón \varnothing 42.50 mm / 2 piezas exteriores con traba guía de pistón \varnothing 51.50	
363	D768	AUDI - SEAT - VOLKSWAGEN	2 piezas interiores con traba guía de pistón \varnothing 42.5 mm (1 con sensor) / 2 piezas exteriores con traba guía de pistón \varnothing 51.50 mm
363A	VOLKSWAGEN	4 piezas iguales con traba guía de pistón \varnothing 51.50 mm (1 con sensor)	
363B	VOLKSWAGEN	4 piezas iguales (Traba guía de pistón \varnothing 42.00 mm)	
363C	AUDI - VOLKSWAGEN	2 piezas interiores con traba guía de pistón \varnothing 42.5 mm (1 con sensor) / 2 piezas exteriores con traba guía de pistón 42.5 mm	
364	D555	AUDI - VOLKSWAGEN	2 piezas interiores con traba guía de pistón \varnothing 46.00 mm y sensor / 2 piezas exteriores
369	D816	FORD	2 piezas interiores con traba guía de pistón \varnothing 50.80 mm / 2 piezas con bigote
370	D886	FORD	4 piezas iguales
379	D510	NISSAN	2 piezas con sensor de desgaste metálico / 2 piezas sin sensor de desgaste metálico
380	D333	NISSAN - SUBARU - TOYOTA	2 piezas con seguro posicionador / 2 piezas sin seguro posicionador
381	GENERAL MOTORS	2 piezas interiores con traba guía de pistón \varnothing 37 / 2 piezas exteriores	
382	PEUGEOT	4 piezas iguales con sensor de desgaste	
383	CITROEN - PEUGEOT	4 piezas iguales con sensor de desgaste	
383B	ALFA ROMEO - FIAT	2 piezas con sensor de desgaste / 2 piezas sin sensor de desgaste	
384	PEUGEOT	4 piezas iguales	
386	MERCEDES BENZ - PEUGEOT	2 piezas con sensor de desgaste / 2 piezas sin sensor de desgaste	
389	CITROEN - FIAT - PEUGEOT	2 piezas con sensor de desgaste / 2 piezas sin sensor de desgaste	

DETALLE / DETAIL

Código	Marca / Brand	Piezas / Pieces
389A	CITROEN - FIAT - PEUGEOT	2 piezas con sensor de desgaste / 2 piezas sin sensor de desgaste
390	CITROEN - FIAT - PEUGEOT	2 piezas con sensor de desgaste / 2 piezas sin sensor de desgaste
391	CITROEN - PEUGEOT	2 piezas con sensor de desgaste / 2 piezas sin sensor de desgaste
391B	CITROEN - PEUGEOT	4 piezas iguales con sensor de desgaste
391N	CITROEN - PEUGEOT	4 piezas iguales (con bigote)
392	CITROEN - PEUGEOT - RENAULT	2 piezas con seguro posicionador derecho / 2 piezas con seguro posicionador izquierdo
393	VOLKSWAGEN	4 piezas iguales
395	VOLKSWAGEN	4 piezas iguales
398	DAF - IVECO - MAN - MERCEDES BENZ	2 piezas con sensor de desgaste / 2 piezas sin sensor de desgaste
398N	MERCEDES BENZ	4 piezas iguales sin sensor de desgaste
399	CITROEN - PEUGEOT - RENAULT	4 piezas iguales
400	BPW - IVECO - MAN - MB - SAF	4 piezas iguales
401	MERCEDES BENZ	2 piezas con traba guia de pistón / 2 piezas sin traba guia de pistón ø 49.5 mm
401A	MERCEDES BENZ	2 piezas con traba guia de pistón / 2 piezas sin traba guia de pistón ø 48 mm
402	ALFA ROMEO - FIAT	4 piezas iguales
407	RENAULT	2 piezas con sensor de desgaste / 2 piezas sin sensor de desgaste
407N	RENAULT	4 piezas iguales
413	RENAULT	4 piezas con sensor de desgaste
434	CITROEN - PEUGEOT - RENAULT	4 piezas iguales
443	GENERAL MOTORS	2 piezas exteriores con indicador de desgaste/ 2 piezas interiores con traba guia de pistón ø 43.00
443A	GENERAL MOTORS	2 piezas exteriores con indicador de desgaste / 2 piezas interiores con traba guia de pistón ø 54.00
444	CITROEN - PEUGEOT	4 piezas iguales
444D	FIAT	2 piezas con sensor de desgaste / 2 piezas sin sensor de desgaste
448	CITROEN	4 piezas iguales
449	CITROEN	4 piezas iguales
452	FORD	2 piezas iguales con traba guia de pistón / 2 piezas iguales con traba guia de pistón y sensor de desgaste metálico
453	MERCEDES BENZ	4 piezas iguales
454	IVECO	4 piezas iguales
455	TOYOTA	4 piezas iguales
457	DAF - IVECO - MAN - MB - RENAULT	4 piezas iguales
457A	MAN - MB - RENAULT	4 piezas iguales
458	AGRALE - BPW - IVECO - MAN - MB - SAF - SCANIA	4 piezas iguales
465	GENERAL MOTORS	2 piezas con sensor de desgaste metálico / 2 piezas con traba guia de pistón ø 43.00 mm
465A	GENERAL MOTORS	2 piezas con sensor de desgaste metálico / 2 piezas con traba guia de pistón ø 50.3 mm
466	PEUGEOT	4 piezas iguales
468	FORD	2 piezas interiores con traba guia de pistón ø 43 mm / 2 piezas exteriores sin traba guia de pistón
468A	FORD	2 piezas interiores con traba guia de pistón ø 50.3 mm / 2 piezas exteriores sin traba guia de pistón

Pastillas para Freno / Brake Pads

DETALLE / DETAIL		
Código	Marca / Brand	Piezas / Pieces
469	FORD - GENERAL MOTORS - SUZUKI	2 piezas interiores / 2 piezas exteriores
474	MAN - RENAULT - VOLVO	4 piezas iguales
475	VOLVO	4 piezas iguales
476	CITROEN - FIAT - PEUGEOT	2 piezas con sensor de desgaste / 2 piezas sin sensor de desgaste
478	HONDA	2 piezas con bigote / 2 piezas sin bigote
481	RENAULT	4 piezas iguales
482	HONDA	2 piezas interiores / 2 piezas exteriores con traba guía de pistón
484	AUDI - VOLKSWAGEN	2 piezas con sensor de desgaste / 2 piezas sin sensor de desgaste
485	AUDI - VOLKSWAGEN	2 piezas interiores / 2 piezas exteriores
486	D726 GENERAL MOTORS	2 piezas interiores / 2 piezas exteriores
487	CITROEN - FIAT - PEUGEOT	4 piezas iguales
488	TOYOTA	2 piezas interiores / 2 piezas exteriores
489	RENAULT	2 piezas interiores / 2 piezas exteriores
490	ALFA ROMEO - CITROEN - FIAT - PEUGEOT	2 piezas con sensor de desgaste / 2 piezas sin sensor de desgaste
492	BPW	4 piezas iguales
493	BPW - IVECO - MB - SCANIA	4 piezas iguales
498	CITROEN - FIAT - PEUGEOT	2 piezas con sensor de desgaste / 2 piezas sin sensor de desgaste
500	D976 TOYOTA	2 piezas con sensor de desgaste / 2 piezas sin sensor de desgaste
501	CHERY	4 piezas iguales
503	RENAULT - VOLVO	4 piezas iguales
504	BPW - MERCEDES BENZ - SAF - VOLVO	4 piezas iguales
505	BPW - IVECO - MAN - MB - VOLVO	4 piezas iguales
512	SAF	4 piezas iguales
513	CHERY - DAEWOO - GM	4 piezas iguales
514	D1035 D797 DAEWOO - GENERAL MOTORS	4 piezas iguales
516	TOYOTA	2 piezas con sensor de desgaste metálico / 2 piezas sin sensor de desgaste metálico
517	TOYOTA	2 piezas con sensor de desgaste metálico / 2 piezas sin sensor de desgaste metálico
518	HYUNDAI - KIA	2 piezas con sensor de desgaste metálico / 2 piezas sin sensor de desgaste metálico
520	FORD	4 piezas iguales
521	VOLKSWAGEN	4 piezas iguales
522	FORD - MAZDA - VOLVO	2 piezas interiores con traba guía de pistón \varnothing 54 mm/ 2 piezas exteriores sin traba guía de pistón
522A	FORD - VOLVO	2 piezas interiores con traba guía de pistón \varnothing 45 mm/ 2 piezas exteriores sin traba guía de pistón
523	ACURA - HONDA - ISUZU - ROVER - SUZUKI	2 piezas con sensor de desgaste / 2 piezas sin sensor de desgaste metálico
524	HONDA	2 piezas interiores con sensor de desgaste metálico y con traba guía de pistón / 2 piezas exteriores sin sensor y sin traba guía
525	CITROEN - FIAT - PEUGEOT	2 piezas interiores con traba guía de pistón / 2 piezas exteriores sin traba guía de pistón
525D	GENERAL MOTORS	2 piezas interiores con traba guía de pistón / 2 piezas exteriores sin traba guía de pistón con sensor metálico

DETALLE / DETAIL

Código	Marca / Brand	Piezas / Pieces
526	CADILLAC - CITROEN - FIAT - FORD - GM - JAGUAR - MAZDA - PEUGEOT - RENAULT - VOLVO	2 piezas con bigote / 2 piezas sin bigote
527	CITROEN - NISSAN - PEUGEOT - RENAULT	2 piezas interiores / 2 piezas exteriores con traba guía de pistón
528	DAEWOO - GENERAL MOTORS	2 piezas con sensor de desgaste metálico / 2 piezas sin sensor de desgaste metálico
529	GENERAL MOTORS	2 piezas con sensor de desgaste metálico / 2 piezas sin sensor de desgaste metálico
530	HYUNDAI - KIA	2 piezas con sensor de desgaste metálico / 2 piezas sin sensor de desgaste metálico
531	CITROEN - PEUGEOT - ROVER	2 piezas interiores con traba guía de pistón / 2 piezas exteriores sin traba guía de pistón
533	FORD	4 piezas iguales
534	CITROEN - PEUGEOT	4 piezas iguales
535	NISSAN - RENAULT	4 piezas iguales
536	FORD - MERCURY - VOLKSWAGEN	2 piezas interiores con traba guía de pistón / 2 piezas exteriores con traba guía de pistón
537	VOLKSWAGEN	2 piezas interiores con traba guía de pistón / 2 piezas exteriores sin traba guía de pistón
538	DAEWOO - GENERAL MOTORS	2 piezas con sensor de desgaste metálico / 2 piezas sin sensor de desgaste metálico
539	CHERY	4 piezas iguales
540	GENERAL MOTORS	2 piezas con sensor de desgaste metálico / 2 piezas sin sensor de desgaste metálico
544	RENAULT	2 piezas con sensor de desgaste / 2 piezas sin sensor de desgaste
545	RENAULT	2 piezas con sensor de desgaste / 2 piezas sin sensor de desgaste
546	TOYOTA	2 piezas con sensor de desgaste metálico / 2 piezas sin sensor de desgaste metálico
547	FIAT	2 piezas interiores con traba guía de pistón \varnothing 50.3 mm / 2 piezas exteriores con traba guía de pistón
547A	FIAT	2 piezas interiores con traba guía de pistón \varnothing 43 mm / 2 piezas exteriores con traba guía de pistón
548	NISSAN	2 piezas con sensor de desgaste metálico / 2 piezas sin sensor de desgaste metálico
549	TOYOTA	2 piezas interiores con sensor de desgaste metálico izquierdo / 2 piezas exteriores con sensor de desgaste metálico derecho
550	HYUNDAI - KIA - SSANGYONG	2 piezas con sensor de desgaste metálico / 2 piezas sin sensor de desgaste metálico
551	HYUNDAI - KIA	2 piezas con sensor de desgaste metálico / 2 piezas sin sensor de desgaste metálico
553	HYUNDAI - KIA - SSANGYONG	2 piezas con sensor de desgaste metálico / 2 piezas sin sensor de desgaste metálico
554	MITSUBISHI	2 piezas interiores con traba guía de pistón / 2 piezas exteriores sin traba guía de pistón
555	MERCEDES BENZ	4 piezas iguales
556	MERCEDES BENZ	2 piezas interiores con traba guía de pistón / 2 piezas exteriores sin traba guía de pistón

Pastillas para Freno / Brake Pads

DETALLE / DETAIL		
Código	Marca / Brand	Piezas / Pieces
557	RENAULT	2 piezas interiores con traba guía de pistón ø 44.5 mm/ 2 piezas exteriores sin traba guía de pistón
557A	RENAULT	2 piezas interiores con traba guía de pistón ø 27 mm/ 2 piezas exteriores sin traba guía de pistón
558	GENERAL MOTORS	4 piezas iguales
559	FIAT	2 piezas interiores / 2 piezas exteriores con sensor de desgaste metálico
560	D1264 GENERAL MOTORS	2 piezas interiores / 2 piezas exteriores con sensor de desgaste metálico
561	D1275 GENERAL MOTORS	2 piezas interiores / 2 piezas exteriores con sensor de desgaste metálico
562	HONDA	2 piezas interiores / 2 piezas exteriores con sensor de desgaste metálico
563	CHRYSLER	2 piezas interiores / 2 piezas exteriores con sensor de desgaste metálico
564	NISSAN - RENAULT	4 piezas iguales con sensor de desgaste metálico
565	NISSAN - RENAULT	2 piezas interiores / 2 piezas exteriores con sensor de desgaste metálico
566	TOYOTA	2 piezas interiores con sensor de desgaste metálico izquierdo / 2 piezas exteriores con sensor de desgaste metálico derecho
567	HYUNDAI - KIA	2 piezas interiores / 2 piezas exteriores con sensor de desgaste metálico
568	HYUNDAI - KIA	2 piezas interiores / 2 piezas exteriores con sensor de desgaste metálico
569	AUDI - VOLKSWAGEN	2 piezas con sensor de desgaste y con traba guía de pistón / 2 piezas sin sensor de desgaste
570	AUDI	4 piezas iguales
571	RENAULT	4 piezas iguales
D50	042 AGRALE - FORD - GM	2 piezas interiores / 2 piezas exteriores
D52	032 CHRYSLER - DINA - GM	1 pieza interior derecha con anclaje / 1 pieza interior izquierda con anclaje / 2 piezas exteriores
D96	033 VOLKSWAGEN	4 piezas iguales (2 con ranura)
D149	DINA - GENERAL MOTORS	2 piezas interiores / 2 piezas exteriores
D207	TOYOTA	4 piezas iguales
D233	NISSAN	4 piezas iguales
D242	242 TOYOTA	4 piezas iguales
D265	NISSAN	4 piezas iguales
D266	266 NISSAN	2 piezas interiores con seguro / 2 piezas exteriores sin seguro
D273	HONDA	2 piezas interiores / 2 piezas exteriores con sensor de desgaste metálico
D289	BUICK - GM - PONTIAC	2 piezas interiores / 2 piezas exteriores
D303	110 TOYOTA	4 piezas iguales
D333	380 NISSAN - SUBARU - TOYOTA	2 piezas con seguro posicionador / 2 piezas sin seguro posicionador
D340	058 ALFA ROMEO - AUDI - CITROEN - PEUGEOT RENAULT - SEAT - VW	4 piezas iguales
D349	MITSUBISHI	2 piezas interiores con seguro / 2 piezas exteriores sin seguro
D356	TOYOTA	4 piezas iguales
D363	081 GENERAL MOTORS - ISUZU	2 piezas interiores con sensor de desgaste / 2 piezas exteriores con sensor de desgaste
D368	GENERAL MOTORS	2 piezas interiores / 2 piezas exteriores
D369	GENERAL MOTORS	2 piezas interiores con sensor de desgaste / 2 piezas exteriores con traba guía de pistón
D375	FORD	2 piezas interiores / 2 piezas exteriores
D383	BUICK - CADILLAC - CHRYSLER - HYUNDAI MITSUBISHI - PONTIAC	2 piezas interiores / 2 piezas exteriores con sensor de desgaste metálico

DETALLE / DETAIL

Código	Marca / Brand	Piezas / Pieces
D409	HONDA	2 piezas interiores / 2 piezas exteriores con sensor de desgaste metálico
D422	NISSAN - TOYOTA	2 piezas interiores con seguro posicionador / 2 piezas exteriores con sensor de desgaste
D428	FORD - KIA - MAZDA	2 piezas interiores / 2 piezas exteriores con sensor de desgaste metálico
D436	TOYOTA	2 piezas interiores con seguro posicionador / 2 piezas exteriores con sensor de desgaste
D438	TOYOTA	2 piezas interiores / 2 piezas exteriores
D440	CHRYSLER - HYUNDAI - JAC	2 piezas interiores / 2 piezas exteriores con sensor de desgaste metálico
D477	CHRYSLER - KIA	2 piezas interiores con traba guía de pistón / 2 piezas exteriores con traba guía de pistón
D502	TOYOTA	2 piezas interiores con sensor de desgaste / 2 piezas exteriores con sensor de desgaste
D507	NISSAN - SATURN	2 piezas interiores con sensor de desgaste metálico izquierdo / 2 piezas exteriores con sensor de desgaste metálico derecho
D510	379 NISSAN	2 piezas con sensor de desgaste metálico / 2 piezas sin sensor de desgaste metálico
D524	CHRYSLER	2 piezas interiores / 1 pieza exterior izquierda con sensor de desgaste / 1 pieza exterior derecha con sensor de desgaste
D535	MITSUBISHI - PROTON - TOYOTA	4 piezas iguales
D536	314 ACURA - HONDA - ISUZU	2 piezas con sensor de desgaste metálico / 2 piezas sin sensor de desgaste metálico
D537	314 HONDA - ROVER	2 piezas con sensor de desgaste metálico / 2 piezas sin sensor de desgaste metálico
D555	364 AUDI - VOLKSWAGEN	2 piezas interiores con traba guía de pistón \varnothing 46.00 mm y sensor / 2 piezas exteriores
D562	TOYOTA	2 piezas interiores / 2 piezas exteriores con sensor de desgaste metálico
D601	FORD - LINCOLN	4 piezas iguales (con bigote)
D606	TOYOTA	4 piezas iguales
D611	TOYOTA	2 piezas interiores con seguro posicionador / 2 piezas exteriores con sensor de desgaste
D617	ACURA - HONDA	2 piezas interiores / 2 piezas exteriores con sensor de desgaste metálico
D623	BUICK - CADILLAC - GENERAL MOTORS - PONTIAC	2 piezas interiores con traba guía / 2 piezas exteriores con sensor de desgaste metálico y traba guía
D637	FORD - KIA - MAZDA	2 piezas interiores / 2 piezas exteriores con sensor de desgaste metálico
D648	FORD - KIA	2 piezas interiores con traba guía de pistón / 2 piezas exteriores
D649	FORD - KIA - VOLKSWAGEN	2 piezas exteriores / 2 piezas interiores con traba guía de pistón \varnothing 43.00 mm
D652	115 AGRALE - FORD - KIA - MAZDA	2 piezas exteriores sin sensor de desgaste / 2 piezas interiores con sensor de desgaste
D666	CHRYSLER	2 piezas con seguro posicionador / 2 piezas sin seguro
D679	FORD - LINCOLN	2 piezas interiores / 2 piezas exteriores con sensor de desgaste metálico
D680	GENERAL MOTORS - SUZUKI	4 piezas iguales
D688	DAEWOO - GM - JAGUAR - PEUGEOT	2 piezas interiores con traba guía de pistón / 2 piezas exteriores
D700	HONDA - HYUNDAI - NISSAN - SSANGYONG	2 piezas interiores / 2 piezas exteriores con sensor de desgaste metálico
D704	127 AUDI - SEAT - VOLKSWAGEN	4 piezas iguales
D726	486 GENERAL MOTORS	2 piezas interiores / 2 piezas exteriores
D741	GENERAL MOTORS - TOYOTA	4 piezas iguales
D745	307 FORD	2 piezas interiores con traba guía de pistón \varnothing 49.53 mm y sensor de desgaste / 2 piezas exteriores
D756	114 FORD	4 piezas iguales

Pastillas para Freno / Brake Pads

DETALLE / DETAIL			
Código		Marca / Brand	Piezas / Pieces
D768	363	AUDI - SEAT - VOLKSWAGEN	2 piezas interiores con traba guía de pistón \varnothing 42.50 mm (1 con sensor) / 2 piezas exteriores con traba guía de pistón \varnothing 51.50 mm
D784		CADILLAC - GENERAL MOTORS - HUMMER - SSANGYONG	2 piezas con doble sensor metálico / 1 con sensor izquierdo / 1 con sensor derecho
D785		CADILLAC - GENERAL MOTORS - HUMMER	2 piezas con doble sensor metálico / 1 con sensor izquierdo / 1 con sensor derecho
D790		CHRYSLER	2 piezas interiores con traba guía de pistón / 1 pieza exterior izquierda con sensor de desgaste / 1 pieza exterior derecha con sensor de desgaste
D791		CHRYSLER	2 piezas interiores con traba guía de pistón / 2 piezas exteriores sin traba guía de pistón
D797	514	DAEWOO - GENERAL MOTORS	4 piezas iguales
D815		NISSAN - RENAULT - SUZUKI	4 piezas iguales
D816	369	FORD	2 piezas interiores con traba guía de pistón \varnothing 50.80 mm / 2 piezas con bigote
D817		TOYOTA	4 piezas iguales
D823		TOYOTA	2 piezas interiores con sensor de desgaste / 2 piezas exteriores
D824		FORD	4 piezas iguales
D881		FORD - MERCURY	2 piezas interiores con traba guía de pistón / 2 piezas exteriores con traba guía de pistón
D882		FORD - GM - SEAT - VW	4 piezas iguales
D886	370	FORD	4 piezas iguales
D924		HYUNDAI - KIA - MITSUBISHI	2 piezas interiores / 2 piezas exteriores con sensor de desgaste metálico
D965		CHRYSLER	2 piezas interiores con sensor de desgaste / 2 piezas exteriores sin sensor de desgaste
D976	500	TOYOTA	2 piezas con sensor de desgaste / 2 piezas sin sensor de desgaste
D981		CHRYSLER	2 piezas interiores con Traba guía de pistón / 1 pieza exterior con sensor metálico izquierdo / 1 pieza exterior con sensor metálico derecho
D1012		FORD - LINCOLN	2 piezas interiores con Traba guía de pistón / 1 pieza exterior con sensor metálico izquierdo / 1 pieza exterior con sensor metálico derecho
D1035	514	DAEWOO - GENERAL MOTORS	4 piezas iguales
D1080		CHRYSLER	2 piezas interiores con sensor de desgaste metálico / 2 piezas exteriores sin sensor
D1083		FORD - LINCOLN	4 piezas iguales
D1089		HONDA	2 piezas interiores / 2 piezas exteriores con sensor de desgaste metálico
D1092		GENERAL MOTORS - CADILLAC	2 piezas interiores / 2 piezas exteriores
D1107		AUDI - SEAT - VOLKSWAGEN	2 piezas con sensor de desgaste y con traba guía de pistón / 2 piezas sin sensor de desgaste
D1108		AUDI - CITROEN - FIAT - FORD - PEUGEOT RENAULT - SEAT - VW	4 piezas iguales
D1158		FORD	4 piezas iguales
D1169		GENERAL MOTORS	2 piezas interiores / 2 piezas exteriores con sensor de desgaste metálico
D1188		SUZUKI	4 piezas iguales
D1194		GENERAL MOTORS - CADILLAC	2 piezas interiores / 2 piezas exteriores con sensor de desgaste metálico
D1210		TOYOTA	4 piezas iguales
D1264	560	GENERAL MOTORS	2 piezas interiores / 2 piezas exteriores con sensor de desgaste metálico
D1268		MERCEDES BENZ - VOLKSWAGEN	4 piezas iguales
D1273		CHRYSLER - FIAT - VOLKSWAGEN	2 piezas interiores / 2 piezas exteriores con sensor de desgaste metálico
D1274		CHRYSLER	2 piezas interiores / 2 piezas exteriores con sensor de desgaste metálico
D1275	561	GENERAL MOTORS	2 piezas interiores / 2 piezas exteriores con sensor de desgaste metálico

EQUIVALENCIAS / CROSS REFERENCES

Código	Plasbestos	Durbloc	Raybestos	FMSI	WVA/Jurid	Fras-le	Nakata
001	22001	12005	83001	D44 765	20.088	PD/316	
003	22003	12010	83003	D54 798	20.073	PD/308	
004	22004	12011	83004		20.775/6/7	PD/309	
005	22005	12016	83005	D9 721	20.007	PD/313	NKF1071P
010	22010	12025	83010	D4 724	20.027	PD/9	NKF1011P
012	22012	12039	83012	D109 7043	20.323	PD/307	
013	22013	12053	83013	D97	20.347	PD/301	
014	22014	12006	83014	D74	20.171/20.172	PD/317	
016	22016	12031	83016	D2 719	20.030	PD/7	
017	22017	12054	83017	D98 793	20.336	PD/302	
018	22018	12070	83018	D350	21.193	PD/23	NKF1008P
019	22019	12013	83019	D54 790	20.073	PD/319	
020	22020	12030	83020		20.578	PD/306	
021	22021	12041	83021	D193	20.631/32/33	PD/312-A	NKF1075P
022		12002	83022	D52 7214A		PD/323	
024	22024	12055	83024	D201 7123	20.634	PD/303-A	
025	22025	12007	83025		20.594		
026	22026	12042	83026	D77 7010	20.145/20.146	PD/311-A	NKF1143P
027	22027	12032	83027	D649	20.640/20.753	PD/24 PD/34	NKF1003P NKF1046P
027B	22027B	12032B	83027B	D649	20.783	PD/24-B	NKF1013P
027D	22027D	12033	83027D	D649	20.640/20.783	PD/24-A	NKF1002AP
028	22028	12058	83028		20.671/20.487/20672	PD/304	
029	22029	12073	83029	D350	21.193	PD/28	NKF1029P
029A	22029A	12073A	83029A	D350		PD/81	
029B	22029B	12073B	83029B	D350D	20.783	PD/51	NKF1044P
030	22030	12034	83030	D98		PD/320	
031	22031	12061	83031	D351 7244	21.016/86/87	PD/321-A	NKF1072P
032	22032	12001	83032	D52 7228A		PD/324	
033	22033	12072	83033	D96	20.107	PD/17	NKF1017P
034	22034	12071	83034	D96	20.228	PD/6- PD/16	NKF1016P NKF1020P
035	22035	12046	83035	D292	20.772	PD/305-A	NKF1078P
036	22036	12065	83036		21.866	PD/368	NKF1099P NKF1255P
036B	22036B	12065B	83036B		21.866		NKF1150P
037	22037	12064	83037	D350	21.470	PD/25-RA-P	
039	22039	12047	83039	D350	21.470	PD/47-RA-P	NKF1138P
040	22040	12076	83040	D350	21.193/21.194	PD/25 PD/25-RA	NKF1005P NKF1069P
040A	22040A	12076A	83040A	D350	21.193/21.194	PD/25	NKF1319P
040D	22040D	12022	83040D	D350		PD/25-RA-R	
041	22041	12052	83041	D371 7261	20.905/6	PD/322-A	NKF1074P

EQUIVALENCIAS / CROSS REFERENCES

Litton	Bosch	Icer	Remsa	Ferodo	Cobreq	Bendix	OE
37260		180033	039.00	FDB809			424534 - 424893
37230		180041	022.00	FDB734	N552		5888149 - 4309780
37240		180474	372.00				5892310 - 5951660
37220		180036	036.00	FDB815	N550	HQ-2071	424515
37210	0 986 BB0 487	180009	037.00	FDB9	N303		93201671
37290		180170	014.20	FDB116M	N400		9293345
37330	0 986 BB0 490	180052	021.04	FDB106	N402		6888550 - 7701200355
37250		180069	053.00	FDB826	N425	HQ-2070	
		180010	038.00	FDB14	N301	HQ-2010	156262
37331	0 986 BB0 392	180098	021.32	FDB113			7701200360
37670	0 986 BB0 259	140926	281.00	FDB579	N209	HQ-2008	5X0698151B
37231		180041	022.20	FDB734	N551		5888149 - 4309780
37271	0 986 BB0 494	180259	064.00	FDB168	N300	HQ-2011	1576947 - 93201671
37321	0 986 BB0 053	180469	163.02 /030.02	FDB224/867	N874	HQ-2075A	4248.79 - 4250.21/25
37451	0 986 BB0 492		029.02		N436	HQ-2083A	
		180283	035.04	FDB253			425015 - 424813
37571	0 986 BB0 499	180120	045.32	FDB107/42	N877		424537/546/556 - 425003
37680	0 986 BB0 428	180329	119.00/15	FDB206	N115/N128	HQ-2046	86AUZK021BA 542698151
	0 986 BB0 002	180410	119.12	1145A	N116	HQ-2002A	6189145
37681	0 986 BB0 003	180329	119.00/15	FDB212	N117	HQ-2167A	86AUZK021CA
37650	0 986 BB0 493	180270-700	104.02/12	FDB194	N439		7701202974
37671	0 986 BB0 263	140926	281.00	FDB895	N214	HQ-2029	30569815155
47330	0 986 BB0 794					HQ-3004PA	
38414	0 986 BB0 273			FDB1360B	N235	HQ-2065	374698151A
38000							
38130	0 986 BB0 051	180556	220.02	FDB534	N427	HQ-2072A	7701202785 - 7701202481
37431		181415	510.00	FDB144			1154458 - 12300213
37351	0 986 BB0 255	180219	017.30	FDB128B	N204	HQ-2017	3216981511
37350	0 986 BB0 015-411	180162	017.00	FDB2M	N207 - N302	HQ-2016	171698151E - 811698151 823698151
37661	0 986 BB0 484	180554-700	141.01/02	FDB845	N430	HQ-2078A	
38371	0 986 BB0 130	181130	609.10	FDB392/419	N810	HQ-2108	1H0698151A 6N0698151C
37678 / 679	0 986 BB0 509						
37674	0 986 BB0 469				N879	HQ-2166A	
37678	0 986 BB0 261	140926	281.00		N503	HQ-2005	7076376
	0 986 BB0 261			FDB 1154A	N503	HQ-2005	
37672	0 986 BB0 510						
37753	0 986 BB0 052	180633	192.01/12	FDB393	N421	HQ-2074A	405076-425088

EQUIVALENCIAS / CROSS REFERENCES

Código	Plasbestos	Durbloc	Raybestos	FMSI	WVA/Jurid	Fras-le	Nakata
042	22042	12028	83042	D50		PD/19-C	NKF1012P
043	22043	12057	83043	D292 7194	20.772/73/74	PD/305-A	NKF1078P
044	22044	12018	83044	D147	21.093/94/95 20.833/834	PD/335-A	NKF1043P
045	22045	12020	83045		20.775/76/77	PD/301-A	
046	22046	12015	83046		20.247	PD/10 PD/310	NKF1001P
047	22047	12059	83047		20.926/28	PD/318-A	NKF1076P
048	22048	12017	83048		20.776	PD/301-A	
050	22050	12019	83050			PD/26	NKF1014P
051	22051	12024	83051	D350	21.195	PD/47-A	NKF1032AP
052	22052	12023	83052		20.741/20787	PD/325	NKF1086P
053	22053	12043	83053	D157	20.253/20.271	PD/468-A	
054	22054	12045	83054	D454 7334	21.208/209	PD/326-A	NKF1077P
054A	22054A	12045A	83054A	D454	21.208/209	PD/326-A	NKF1077P
055	22055	12062	83055	D292 7194	20.937	PD/305-A	NKF1078P
056	22056	12044	83056	D141 / D455 7073	20.454/55	PD/361-A	
057	22057	12021	83057	D350	21.193	PD/25-A / B PD/25-RA-A	NKF1027P NKF1006AP
058	22058	12089M	83058	D340 7335	20.961/21.144	PD/362	NKF1085P
058A	22058A	12089AM	83058A	D340		PD/362	NKF1220P
059	22059	12048	83059			PD/22	NKF1019P
060	22060	12036	83060		20.166	PD/31	
061	22061	12037	83061			PD/26-A	
062	22062	12063	83062	D371 7261	20.905	PD/322-A	NKF1117P
063	22063	12056	83063	D516 7394	20.786	PD/327	NKF1061P
064	22064	12074	83064			PD/43	NKF1037P
065	22065	12082	83065			PD/22-B	NKF1028AP
066M		12078M	83066M	D1062	29.065	PD/104	NKF1026P
067		12079M	83067		29.071	PD/108	NKF1079P
068		12081M	83068	D1201		PD/102	NKF1025P
068A		12081AM	83068A	D1201		PD/109	NKF1120P
069	22069	12014	83069		20.375	PD/18	NKF1022P
070	22070	12060	83070		20.272	PD/8	NKF1011P
071	22071	12083	83071		21.101		
072	22072	12084	83072		20.857/21.202	PD/55	NKF1051P
073	22073	12085	83073		20.973/21.600	PD/465	NKF1128P
074	22074	12086	83074		20.973/74	PD/465	NKF1128P
075	22075	12087	83075			PD/105	NKF1034P
076	22076	12075	83076	D350	21.195	PD/25-RA-FA PD/25-RA-A	NKF1027P
077	22077	12088	83077		21.430 -21.432	PD/364-A	NKF1131P
078	22078	12090	83078		23.101/21.202	PD/55	NKF1051P
078A	22078A	12090A	83078A			PD/91	NKF1272P
079	22079	12091	83079	D378	20.939	PD/431	NKF1092P
080	22080	12092	83080	D21 / D30	20.009	PD/5	NKF1015P

EQUIVALENCIAS / CROSS REFERENCES

Litton	Bosch	Icer	Remsa	Ferodo	Cobreq	Bendix	OE
37781	0 986 BB0 257	181400	562.20/30	FDB1142A	N109	HQ-2012	TNK615115A-52252811
37661	0 986 BB0 484	180554-700	141.02/01	FDB270	N430	HQ-2078A	7701202894-7701202712
37820	0 986 BB0 080	180415-700	146.14/11	FDB410	N518	HQ-2115A	7078858
		180474	025.00				5892309 - 5951660
37243				FDB1144A	N108	HQ-2001	7501077
38110	0 986 BB0 054	140620	202.02/01	FDB414	N433	HQ-2076A	7701200648
37811		180838					71770983
37823	0 986 BB0 262-409			FDB1143A	N505	HQ-2014	
37675	0 986 BB0 028				N513	HQ-2032A	
38160		140403-700	143.02	FDB287	N560		9940092
37900	0 986 BB0 217	180127	068.02				
38170	0 986 BB0 055	180696-700	262.02	FDB540	N881	HQ-2077A	425055
38170	0 986 BB0 055	180696-700	262.02		N881	HQ-2077A	
37661	0 986 BB0 484	180554	141.02/01	FDB270	N430	HQ-2078A	
37321	0 986 BB0 357	180198	001.02				424511
37673	0 986 BB0 007-006-505	140927	281.02	FDB1146A	N506/504	HQ-2006A	7077512
38250	0 986 BB0 290	180789-700	263.10/12	FDB541	N884	HQ-2085	357698151A-7701209735 425056
38251	0 986 BB0 290				N884	HQ-2085	
37821	0 986 BB0 258				N309	HQ-2019	BE4E2007A - 52252753
		180155	080.00				21013501090
37822	0 986 BB0 482						
37753	0 986 BB0 052	180633	192.12/01	FDB393	N421	HQ-2074A	405076 - 405088
37752	0 986 BB0 076	180375	144.02	FDB730	N1147 / N1106	HQ-2163A	
38230	0 986 BB0 267				N222	HQ-2037	377698151
37824				FDB1140A	N310	HQ-2028A	52252752
38211	0 986 BB0 234	150903	245.12	FCV879	N705	HQ-2026A	6884203020
38240	0 986 BB0 056	140834	048.10/11	FCV627	N708	HQ-2079	6314200220
38220	0 986 BB0 281				N118	HQ-2025	
37460	0 986 BB0 256-416	180473	114.00	FDB420 FDB1152A	N501	HQ-2022	BE1M2007B
37270		180259	064.00		N303	HQ-2011	93201671
38270		180729-203	264.01	FDB524	N301		5888781 - 9943830
38260	0 986 BB0 276	180451	168.00	FDB365	N136	HQ-2051	97FU2K021CA
38851	0 986 BB0 165	180649	144.50/60	FDB558	N1104/59	HQ-2176	
38851	0 986 BB0 165	180649	144.50/60	FDB558	N1104/59	HQ-2176	425042-425071
38290	0 986 BB0 283			FDB1332A	N317	HQ-2034	TNK615115 - 93227897
	0 986 BB0 007			FDB1153A	N506	HQ-2007A	
38300	0 986 BB0 146	180932	461.00/02	FDB876/775	N897	HQ-2135A	425138 - 425134 425142
38260	0 986 BB0 276	181143-700	285.2	FDB589	N136	HQ-2051	98FB2K021AA - 1013843 1030601
	0 986 BB0 789				N183	HQ-3002PA	
39420	0 986 BB0 199	180454	101.00	FDB173			1605463
37360	0 986 BB0 251	180038	007.40	FDB3B	N201	HQ-2015	1056981511

EQUIVALENCIAS / CROSS REFERENCES

Código	Plasbestos	Durbloc	Raybestos	FMSI	WVA/Jurid	Fras-le	Nakata
081	22081	12093	83081	D363 7347	21.467/21.543	PD/357	
082	22082	12094	83082	D350		PD/47	NKF1049P
083	22083	12095	83083	D688	20.547	PD/42	NKF1038P
083A	22083A	12095A	83083A			PD/82	NKF1318P
084	22084	12096	83084	D516 7394	21.096	PD/327	NKF1061P NKF1209P
085	22085	12097	83085	D428 7317	21.171	PD/35	NKF1059P
085N	22085N	12097N	83085N				NKF1041P
086	22086	12098	83086	D280 o D307	20.887/88	PD/328	NKF1052P
086A	22086A	12098A	83086A	D280	20.887/88		
087	22087	12049	83087	D350A	21.193/23.775	PD/60	NKF1035P
087D	22087D	12077	83087D	D350	23.220	PD/60-A	NKF1032AP
088	22088	12038	83088	D350		PD/90	NKF1319P
089	22089	12029	83089	D45	20.386	PD/13	NKF1018P
090	22090	12069	83090		20.635	PD/465	NKF1128P
091	22091	12026	83091	D649		PD/79	NKF1323P
092	22092	12080	83092			PD/51	NKF1044P
093	22093	12068	83093	D350		PD/81	NKF1256P
093A	22093A	12068A	83093A			PD/89	NKF1322P NKF1332P
094	22094	12040M	83094		20.706/29.984	PD/108	NKF1079P
095	22095	12066	83095	D1208		PD/106	NKF1036P
096	22096	12099	83096	D694 7569	21.865 /866/867	PD/367	NKF1007P
096A	22096A	12099A	83096A	D694 8702		PD/368	NKF1255P
097	22097	12009	83097				
098	22098	12067	83098	D1140	20.753/21.103	PD/65	NKF1057P
100	22100	12500	83100	D796	21.190	PD/37	NKF1039P
103	22103	12503	83103	D1209		PD/50	NKF1030P NKF1241P
105	22105	12505M	83105	D796 7666	21.592	PD/341	NKF1107P
105D	22105D	12505DM	83105D	7909 D1006A	23901 /902	PD/341-A	NKF1230P
107	22107	12507M	83107			PD/107	NKF1048P
108	22108	12508	83108	D1173		PD/54	NKF1054P
110	22110	12510M	83110	D303	21.158	PD/429	NKF1329P
114	22114	12514M	83114	D756		PD/62	NKF1063P
115	22115	12515M	83115	D652	23.472	PD/332	NKF1058P
116	22116	12516	83116	D696A	20.168	PD/329	NKF1084P
116A	22116A	12516A	83116A	D684A	20.168	PD/336	NKF1111P
116B	22116B	12516B	83116B			PD/337	NKF1084P
116C	22116C	12516C	83116C				NKF1111P
117	22117	12517	83117	D1176	23.226	PD/46	NKF1139P
118	22118	12518M	83118			PD/527	NKF1214P NKF1238P
119	22119	12519	83119	D1538	23.229	PD/68	NKF1119P
119A	22119A	12519AM	83119A	D298		PD/88	NKF1320P

EQUIVALENCIAS / CROSS REFERENCES

Litton	Bosch	Icer	Remsa	Ferodo	Cobreq	Bendix	OE
38280	0 986 BB0 182	140854	238.14	FDB678			1605871
37675	0 986 BB0 271	140926	281.00	FDB896B	N511	HQ-2049	7077505
38310	0 986 BB0 266	180858	393.20	FDB732	N324	HQ-2038	93220081
38302	0 986 BB0 787				N377	HQ-3001PA	
37752	0 986 BB0 076	180723-204	144.80	FDB759	N1106 / N440	HQ-2163A	7701203842 95589273
38331	0 986 BB0 265	181229	331.04	FDB617/703	N144 / N130	HQ-2059	BF8A2K021AA
				FB617	N130	HQ-2041	547698151D
38830	0 986 BB0 045	180460	171.10/05	FDB392/451	N883	HQ-2052	110698151A
		180459	171.00	FDB392/451			
38410	0 986 BB0 277	181596	281.40	FDB1148A	N524	HQ-2154	7078947
38411 / 39380	0 986 BB0 486	181226	281.32	FDB912B	N513	HQ-2032A	
					N542	HQ-3000PA	
	0 986 BB0 254	180011	002.20/40	FDB84B	N208	HQ-2018	2116981512
38851	0 986 BB0 165	180929	144.70		N1159	HQ-2176	
	0 986 BB0 793				N179	HQ-3003PA	
38414	0 986 BB0 273			FDB1360A	N235	HQ-2065	
47330	0 986 BB0 794				N289	HQ-3004PA	5W0-698-151
	0 986 BB0 788				N544	HQ-3007PA	
38240	0 986 BB0 056	140560	048.02	FCV792	N708	HQ-2079	6314200220
38650	0 986 BB0 284			FDB1331A	N330	HQ-2036	25B615115
38370	0 986 BB0 705	181119	609.00	FDB1054	N820	HQ-2102	1H0698151A
38371	0 986 BB0 130	181130	609.10		N810	HQ-2108	6N0-698-151C
37683	0 986 BB0 279	181142	119.10	FDB206	N138	HQ-2057	97FU2K021DA
38540	0 986 BB0 033	180758	286.10/00	FDB584	N319	HQ-2039	93213479
38590					N316	HQ-2030	93209401
39430	0 986 BB0 274	180758	286.10/00	FDB584	N1200	HQ-2132	93249477
39430	0 986 BB0 769	141103-046	580.00	FDB584	N727	HQ-2219	
38360	0 986 BB0 285			FDB1330A	N327	HQ-2048	93236571
38400	0 986 BB0 275	181250		FDB1170A	N239	HQ-2054	377698151K
38780	0 986 BB0 158	140614	197.10/20		N847	HQ-2061	
38470	0 986 BB0 278				N146	HQ-2103	F81Z2001EA
38610	0 986 BB0 703	141228	571.02	FDB1129	N140	HQ-2058	F5722001AA
38670	0 986 BB0 289				N885	HQ-2084	1HM698151 357698151B
	0 986 BB0 081			FDB1014	N896	HQ-2100	3A0698151B 8A0698151B
38550	0 986 BB0 467				N885	HQ-2156	
		180987-700	134.42				
39920	0 986 BB0 270	181353-701	774.02		N360	HQ-2157A	
43990	0 986 BB0 321	181781	315.22		N1360	HQ-2204A	446504030
38353	0 986 BB0 280	181441		172.10	N533	HQ-2062	
	0 986 BB0 790				N540	HQ-3010PA	7079656

EQUIVALENCIAS / CROSS REFERENCES

Código	Plasbestos	Durbloc	Raybestos	FMSI	WVA/Jurid	Fras-le	Nakata
119B	22119B	12519B	83119B	D298			NKF1344P
119C	22119C	12519C	83119C	D298A 7201	23.229	PD/68B	NKF1337P
120	22120	12520	83120		20.908	PD/39	NKF1056P
121	22121	12521	83121	D298 7201	20.907/908	PD/48	NKF1047P
121D	22121D	12522	83121D	D298	20.907	PD/48-A	NKF1050P
122	22122	12525	83183			PD/45	NKF1045P
123	22123	12523	83123		23.120	PD/44	NKF1042P
124	22124	12742	83124		21.388/21.919	PD/391-A	NKF1081P
127	22127	12127	83127	D704	21.945	PD/413	
129		12529M	83129	D428	20.002/20.191/192	PD/333	NKF1080P
131		12531	83131			PD/11	NKF1009P
242	22242	12242	83242	D242	20.870	PD/680	NKF1121P
266		12266	83266	D266	21.119	PD/428	
303		12703M	83303		20.989	PD/363-A	
306	22306	12706M	83306	D676	21.797/98	PD/358 /358-A	NKF1093P
306A	22306A	12706AM	83306A	D676	21.798	PD/358-A PD/369-B	NKF1200P
307		12707M	83307	D648	21.538/21.393	PD/352-A	NKF1199P
307A		12707AM	83307A	D745	21.395/21.638	PD/352-A	NKF1199P
307N		12707NM	83307N	D745	21.395/21.638	PD/352	NKF1109P
310		12710M	83310	D762	21.358/21.579		
311		12711M	83311		21.470	PD/350	
312		12712M	83312		21.469	PD/351	
314	22314	12714M	83314	D536 / D537	21.719	PD/690	NKF1304P
314A	22314A	12714AM	83314A	D1086	24.231/232/233	PD/645	
327		12727M	83327	D520 7401	21.459/21.897	PD/458-B	
331		12731M	83331	D736		PD/61	NKF1096P
333		12733M	83333	D426	21.829	PD/41	NKF1066P
334		12734M	83334	D709 7614	21.050	PD/38	NKF1040P
340		12740M	83340	D638	20.124	PD/406	
343		12743M	83343		21.930/21.932	PD/433-B	NKF1067P
344		12744M	83344		21.103	PD/430	
349	22349	12749M	83349		21.636/21.637	PD/66-A	NKF1089P
349A	22349A	12749AM	83349A			PD/92 PD/66	NKF1247P
349B	22349B	12749BM	83349B			PD/78-A	NKF1247P
349C	22349C	12749CM	83349C				NKF1344P
349D	22349D	12749DM	83349D				NKF1342P
349E	22349E	12749EM	83349E				NKF1325P
350		12750M	83350	D949 / D1136	29.076	PD/111-A	NKF1091P
350N		12750NM	83350N	D949 / D1136	29.076		NKF1228P
351		12751M	83351	D491	21.964/21.965	PD/482	
352		12752M	83352		20.344	PD/416	
355		12755M	83355		29.001/29.003	PD/420-A	
360		12760M	83360		21.606/21.605	PD/451	
362	22362	12762M	83362	D768	23.130/23.131	PD/58	NKF1133P

EQUIVALENCIAS / CROSS REFERENCES

Litton	Bosch	Icer	Remsa	Ferodo	Cobreq	Bendix	OE
					N541		
		181227	172.11				
38350	0 986 BB0 048	180543	172.00	FDB579	N131	HQ-2056	547698151A
38350A	0 986 BB0 272			FDB1361A	N530	HQ-2081	7079249
38352	0 986 BB0 043			FDB1362A	N516	HQ-2050A	
38380	0 986 BB0 269			FDB1363A	N232	HQ-2045	3256981515
38340	0 986 BB0 268	181275	644.00	FDB1364A	N227	HQ-2042	3256981513
39300	0 986 BB0 100	180930-700	208.12	FDB406	N441	HQ-2104A	771206288
38570	0 986 BB0 478	181156-700	631.00/80				
39630	0 986 BB0 057	140690	244.02		N886	HQ-2080A	OK7OY3328Z
	0 986 BB0 009				N304	HQ-2009	94613277
39680		180462	167.04				
40370	0 986 BB0 198	140518	184.00/01				
	0 986 BB0 358	180555-700	170.39				
38392	0 986 BB0 144	141053-700	486.02	FDB967	N553	HQ-2116A	425116-425117
38390	0 986 BB0 145	141053-700	486.02	FDB967	N553	HQ-2116A	
39391	0 986 BB0 143	180917	432.02/12	FDB766	N149	HQ-2064A	97GB2K021AB
		180917	432.02/12	FDB766	N149	HQ-2064A	
39390	0 986 BB0 084	180916	432.00/10	FDB884	N147	HQ-2064	FSR22001A
		180957	575.02				97BG2K021B
38450	0 986 BB0 355	140896	391.00/10	FDB700	N155		
38460	0 986 BB0 181	140897	392.00/10	FDB701	N154		
	0 986 BB0 560	180798	325.2/022		N1372	HQ-2214A	
40702	F03F 03B 050 134	181718	325.04			HQ-2248A	
38880		140839	267.11	FDB520			
38750	0 986 BB0 064	181128	390.10	FDB1068	N348	HQ-2096	
38530	0 986 BB0 103	180807	282.10	FDB586	N326	HQ-2111	93225005
38520	0 986 BB0 034	180692	239.00	FDB525	N321	HQ-2040	93213484
38760		140880-700	383.00	FDB785			
38621		181123-700	588.11	FDB1040	N336		71753043 - 9947629 9947446
39460	0 986 BB0 159	180674-700	231.00	FDB1113	N824	HQ-2123	
39160	0 986 BB0 114-462	181125	589.02/12	FDB1052	N534	HQ-2066A	9947156
	0 986 BB0 383				N543	HQ-3005PA	
	0 986 BB0 114				N539		9947156
						HQ-2066A	
					N541		
38420	0 986 BB0 062	141126-203	614.12	FCV1043	N710	HQ-2091A	24204120
		141126-204	614.00				
39190	0 986 BB0 323	181314	686.00				
39400	0 986 BB0 152	180231	052.10	FDB830	N867		
39180		140965	436.02/40				
		181213-700	581.80				
39150	0 986 BB0 714	181338	633.20		N252	HQ-2107A	1J0698151C 1J0698151J

EQUIVALENCIAS / CROSS REFERENCES

Código	Plasbestos	Durbloc	Raybestos	FMSI	WVA/Jurid	Fras-le	Nakata
363	22363	12763M	83363	D768	23.187/23.131	PD/58-B	NKF1136P
363A	22363A	12763AM	83363A	D768	21.974/23.131	PD/58-B	NKF1136P
363B	22363B	12763BM	83363B	D768	21.974/23.130	PD/73	NKF1110P
363C	22363C	12763CM	83363C	D768		PD/73-B	NKF1188P
364		12764M	83364	D555	20.676/20.678	PD/384-A	NKF1194P
369	22369	12769M	83369	D816	23.152/ 153 /154	PD/442	NKF1135P
370	22370	12770M	83370	D886	23.353	PD/480	NKF1141P
379	22379	12253	83379		23.004/05/06		
380	22380	12333M	83380	D333	21.347/21.348	PD/427	NKF1164P
381		12781	83381		20.547/21.353		
382		12782M	83382		21.724/21.749	PD/414-E	NKF1116P
383	22383	12783M	83383	D590 / D1221	21.674/21.886	PD/405-E	
383B	22383B	12783BM	83383B		21.383	PD/484-A	NKF1134P
384		12784M	83384		21.904/21.278	PD/425	
386		12786M	83386		21.278/21.279	PD/425-A	
389		12789M	83389	D1197	21.799/21.800	PD/422-A	NKF1103P
389A		12789AM	83389A	D1197	21.799/21.800	PD/438-B	NKF1201P
390		12790M	83390		23.040/41/42	PD/448-A	
391	22391	12791M	83391	D1190	23.124/23.125	PD/411-E	NKF1112P
391B	22391B	12791BM	83391B	D1190	23.124/23.125		NKF1112P
391N	22391N	12791NM	83391N	D1190	23.124/23.125	PD/411	NKF1289P
392	22392	12792M	83392		21.980/21.981	PD/412	NKF1125P
393		12793M	83393	D581 / D703	20.652	PD/487	
395		12795M	83395	D487	21.055	PD/407	
398		12798M	83398		29.088/29091	PD/117	NKF1098P
398N		12798NM	83398N		29.088/29091		NKF1098P
399	22399	12799M	83399		23.205	PD/412	NKF1189P
400		12800M	83400		29.093/094/095/096/ 29.197/29.145/29.184	PD/120	
401		12801M	83401	D950	21.576/21.577	PD/417	NKF1215P
401A		12801AM	83401A	D950			NKF1229P
402		12802M	83402		23.177	PD/439	NKF1115P
407	22407	12807	83407	D1146	21.404/21.463	PD/338-A	NKF1082P
407N	22407N	12807N	83407N	D1146	21.404/21.463	PD/338	NKF1235P
413		12813M	83413		20.919/20.920	PD/391-A	NKF1081P
434	22434	12834M	83434	D1213	23.599	PD/505	NKF1195P
443	22443	12843M	83443	D1141	23.057	PD/72	NKF1129P NKF1297P
443A	22443A	12843AM	83443A	D1141		PD/93	NKF1268P
444	22444	12844M	83444		23.600	PD/346	NKF1286P
444D	22444D	12844DM	83444D		23.600/23708/9/10	PD/511-B	NKF1148P
448	22448	12848	83448	D1219	23.406/407	PD/648	NKF1216P

EQUIVALENCIAS / CROSS REFERENCES

Litton	Bosch	Icer	Remsa	Ferodo	Cobreq	Bendix	OE
39152	0 986 BB0 136	181349	633.21/31		N254	HQ-2107A	1J0698151F 1K0698151D
39152	0 986 BB0 136				N254	HQ-2134	
39150	0 986 BB0 717	181184	633.00		N262	HQ-2186 HQ-2170	1J0698151J
39153	0 986 BB0 140				N263	HQ-2107A	1JE698151C
38751	0 986 BB0 320-147	180808	390.02		N269		
38970	0 986 BB0 162	181264	691.00		N161	HQ-2136	354Z2001AA YS422001AA
38980	0 986 BB0 169	181265-700	693.00		N163	HQ-2175	98AB2M008BA
		180882	592.02				410601N090
40490	0 986 BB0 157	140885	236.02		N1327	HQ-2225A	
		180858	393.20				
39670	0 986 BB0 119	181107-700	603.04		N1113	HQ-2128A	
39740	0 986 BB0 190	181108-700	604.14		N1167		
39481	0 986 BB0 171	180760-700	305.12/83		N607	HQ-2120A	9948598
		141241	321.22				
	0 986 BB0 197	141241	321.22				
38500	0 986 BB0 155	141054-700	487.02	FDB968	N555	HQ-2117A	42522 - 425227
38500	0 986 BB0 707	141054-203	487.11		N566	HQ-2160A	
39120		141122-700	602.02				425126 - 425151 71711135
38430	0 986 BB0 118	181136-700	634.04/84	FDB1112	N1100	HQ-2069A	425154 - 425155
		181136-700	634.04/84				
39740	0 986 BB0 151	181136-700	634.04/84		N1157	HQ-2134	425378
38440	0 986 BB0 101-102	181204-702	643.00		N1156	HQ-2068	
39320	0 986 BB0 174	140895	385.00		N258	HQ-2140	
		180745-700	284.00		N265		
38712	0 986 BB0 072			FCV1354	N713	HQ-2122A	34201320
		151253-067	658.00				
38440	0 986 BB0 455	181255-702	643.10		N1156	HQ-2068	7701205512
39720	0 986 BB0 949	151254-066					
39250	0 986 BB0 153	141104-046	578.00	FCV239	N731	HQ-2218	24203920
39170	0 986 BB0 161	181307-700	692.00		N559	HQ-2141	
38840	0 986 BB0 083	180993-700	141.32	FDB845	N443	HQ-2063A	7701208265
38840	0 986 BB0 704	180993-204	141.10		N448	HQ-2063	
39300	0 986 BB0 100	180557-700	208.02		N441	HQ-2104A	
39900	0 986 BB0 324	181388-701	840.10		N1166	HQ-2226	
39270	0 986 BB0 716	181248	683.02		N351	HQ-2137	
	0 986 BB0 978				N373	HQ-3006PA	
39950	0 986 BB0 300	181429-701	841.00		N1168	HQ-2206	
39951	0 986 BB0 517	181440-203	859.12		N582	HQ-2178A	
40630	0 986 BB0 600	181450-700	881.00		N1171	HQ-2232	425236

EQUIVALENCIAS / CROSS REFERENCES

Código	Plasbestos	Durbloc	Raybestos	FMSI	WVA/Jurid	Fras-le	Nakata
449	22449	12849	83449			PD/514	NKF1202P
452		12852M	83452		23.430/23.577/80	PD/342	
453		12853M	83453	D928	23.021	PD/118	NKF1097P
454		12854M	83454		29.121	PD/121-PD/122	NKF1104P
455		12855M	83455		23.766	PD/491	NKF1186P
457		12857M	83457	D1407	29.030	PD/125	
457A		12857AM	83457A		29.084	PD/125	
458		12858M	83458	D1203	29.087/29.108	PD/116K	NKF1122P
465	22465	12865M	83465	D1189 8308		PD/77	NKF1151P
465A	22465A	12865AM	83465A			PD/84	NKF1324P
466	22466	12866	83466	D1143	23.597	PD/435	NKF1130P
468	22468	12868M	83468	D1175 8289	23202 / 23203	PD/497	NKF1146P
468A	22468A	12868AM	83468A	D1175	23202 / 23203		NKF1266P
469	22469	12869	83469		23.304		
474		12874M	83474	D1310	29.131	PD/129	NKF1295P
475		12875M	83475		29.125	PD/529	
476	22476	12876M	83476	D1198	23.859/23.917/23.918	PD/498-A	NKF1208P
478	22478	12878M	83478			PD/71	NKF1102P
481	22481	12881M	83481		23.613	PD/347	NKF1212P
482	22482	12882	83482	D1200		PD/503	NKF1149P
484		12884M	83484	D840 7715	21.938	PD/525-A	
485		12885M	83485	D687 7710	23392	PD/340-B	NKF1144P
486	22486	12886M	83486	D726	23.663	PD/110	NKF1068P
487		12887M	83487		23.921	PD/501	NKF1219P
488		12888M	83488	D1216	23.816	PD/512	NKF1187P
489		12889M	83489		23.669	PD/516	NKF1213P
490	22490	12890M	83490		23.705/706/707	PD/509-A/B	NKF1147P
492		12892M	83492		29.165	PD/142	
493		12893M	83493		29.167	PD/1413	
498	22498	12898M	83498		23.858/23.919/23.920	PD/652-B	NKF1210P
500		12900M	83500	D976	24.024/24.025/24.026	PD/528	NKF1239P
501		12901M	83501			PD/1469	
503		12903M	83503	D1311 / D1323	29.174	PD/196	
504		12904M	83504		29.171	PD/147	
505		12905M	83505		29.124	PD/138	
512	22512	12912M	83512		29.162	PD/164	
513	22513	12913	83513	D1321	23.241	PD/598	
514	22514	12914	83514	D797 / D1035	23.234	PD/475	
516		12916M	83516	D1571 8780		PD/669	NKF1244P
517		12917M	83517	D1572	24.664/665	PD/689	NKF1245P
518	22518	12918	83518	D1156 8266	24.317/24.318/24.319	PD/1279	
520	22520	12920M	83520	D833 7709		PD/365	
521		12921M	83521	D1555 8767		PD/1028	NKF1257P
522	22522	12922M	83522	D1044 7947		PD/767	NKF1267P

EQUIVALENCIAS / CROSS REFERENCES

Litton	Bosch	Icer	Remsa	Ferodo	Cobreq	Bendix	OE
40620	0 986 BB0 325	181451-700 141367-701	880.00 772.02		N1164	HQ-2181	
39240	0 986 BB0 733-073	141289	733.00		N712	HQ-2121	34204720
38950	0 986 BB0 701	141208	651.10		N557	HQ-2118	2995633
40210	0 986 BB0 708	181513	822.12		N1319	HQ-2174A	446502100 446502130
38731		151040-067 151040-067		FCV1086B			807700
38720	0 986 BB0 235	151194-066			N716	2138ML	24204920
40380	0 986 BB0 718				N355	HQ-2172A	
38442	0 986 BB0 706	181439-702	643.20		N1156	HQ-2187	
39440	0 986 BB0 710		766.00		N152	HQ-2173	2N152K021CA
	0 986 BB0 792	181343 141251	766.00 593.00			HQ-3009PA	
		151405-067	1034.00	FCV1404B			
		151427-066	1033.00	FCV1388B			20768092
40530	0 986 BB0 711	141523	960.01		N573	HQ-2233A	77362219
39090	0 986 BB0 715				N835	HQ-2089A	45022-S5J-M00
40160	0 986 BB0 301	141442	819.00		N450	HQ-2275	
39442	0 986 BB0 317				N1344	HQ-2161A	45014-SAD-M02
38751	0 986 BB0 094	181331			N282	HQ-2253A	
	0 986 BB0 295	181396	390.41		N264	HQ-2188A	4A0698151
39050	0 986 BB0 731	181410	688.00/10		N341	HQ-2113	93277697 - 93277698
40520	0 986 BB0 316	141524	961.00		N1169	HQ-2234	77362274 - 425247
44690	0 986 BB0 725	181514	874.02		N1334	HQ-2177	
40300	0 986 BB0 726	141511-703	833.00		N451	HQ-2274	7701206763
40750	0 986 BB0 516	181444-203	858.01 / 32		N569	HQ-2179A	7083687 - 77365651
		151629-066	1084.00	FCV1678B			
		151630-066	1076.80	FCV1677B			
39910	0 986 BB0 604	141522	959.01		N596	HQ-2260A	
44980	0 986 BB0 327	181665	988.00		N1375	HQ-2227A	044650K280
		151831-066	1257.00	FCV1855BFE			
		151830-066	1074.80				
		151281-066	847.80	FCV1314B			
		151631-066	1075.80				
		181262	696.00				96316582
39600	0 986 BB0 221	181260	645.12/32		N1223		96446742 - 96253383
46320	0 986 BB0 776	181869	1310.02		N1366	HQ-2229A	446502330
46330	0 986 BB0 777	181870	1356.02		N1368	HQ-2228A	446602181
		181711	1208.02				
45520	F 03B 050 047		805.00			HQ-2202A	1L522001AA
40330	0 986 BB0 868	141793	1250.02			HQ-2261	2H0698151
46040	0 986 BB0 974	181617	1082.00		N190	HQ-3011PA	3M512K021AB

EQUIVALENCIAS / CROSS REFERENCES

Código	Plasbestos	Durbloc	Raybestos	FMSI	WVA/Jurid	Fras-le	Nakata
522A		12922AM	83522A	D1044 7947		PD/767	NKF1284P
523	22523	12923M	83523	D564 7443	21.738	PD/398	NKF1269P
524	22524	12924M	83524			PD/685	NKF1251P
525	22525	12925	83525			PD/85	NKF1317P
525D	22525D	12925DM	83525D			PD/94	NKF1348P
526		12926M	83526	D1095 7874/D973	23482	PD/796	NKF1339P
527	22527	12927M	83527	D1627 8844	24.914/24.538	PD/1377	NKF1347P
528		12928M	83528	D1522		PD/1101	NKF1273P
529		12929M	83529	D1468	25.096/097	PD/1102	NKF1349P
530		12930	83530	D1601 8851	24.275/24.411	PD/633	
531		12931M	83531	D1107 8212	24.557/558	PD/1000	NKF1282P
533	22533	12933M	83533	D1454 8653	24.283/284/285	PD/1097	
534		12934M	83534		24.660	PD/1470	
535		12935M	83535	D1435		PD/1386	NKF1354P
536	22536	12936	83536	D1055 / D1641		PD/1346	NKF1288P
537	22537	12937	83537	D1556		PD/1100	NKF1287P
538	22538	12938M	83538			PD/1347	NKF1275P
539	22539	12939	83539		23.662	PD/1330	
540	22540	12940M	83540			PD/1433	NKF1274P
544		12944M	83544		24.147/25.165	PD/1439-B	NKF1358P
545	22545	12945M	83545		25.112/25.113	PD/1440-B	NKF1359P
546	22546	12946M	83546			PD/1438	
547	22547	12947	83547			PD/1482	
547A	22547A	12947A	83547A				NKF1140P
548	22548	12948	83548	D1592	24.724/725/726	PD/1365	NKF1355P
549		12949M	83549	D1567 8776	25.209/210	PD/1098	NKF1315P
550		12950M	83550	D1202 8322		PD/1287	NKF1316P
551		12951M	83551	D1439 8575	25.153	PD/1366	
553		12953M	83553	D813 7688	23.543	PD/725	NKF1225P
554		12954M	83554	D1519 8728	24.529/530	PD/771	
555		12955M	83555	D1340 8451			
556		12956M	83556	D1341 8452			
557	22557	12957M	83557		25.702/703	PD/1483	
557A	22557A	12957AM	83557A		25.702/703		
558	22558	12958	83558	D1661		PD/1479	
559		12959M	83559	D1617 8742	23661	PD/1416	
560		12960M	83560	D1264 8381	24.510/511/512	PD/711	NKF1276P
561		12961M	83561	D1275 8391	24.498/499/500	PD/715	NKF1277P
562		12962M	83562	D1608 8392	25.466/467/468	PD/1413	
563		12963M	83563	D1326 8438	24.822/823/824	PD/300	
564		12964M	83564	D888 7766		PD/1014	
565		12965M	83565	D905 7784	23.814/23.871/872	PD/585	
566		12966M	83566		25.090/091/092-25.698	PD/1480	

EQUIVALENCIAS / CROSS REFERENCES

Litton	Bosch	Icer	Remsa	Ferodo	Cobreq	Bendix	OE
46040	0 986 BB0 974					HQ-2235	
45280		181024	233.52/55			HQ-2281A	43022SAA-J50
40060	0 986 BB0 771				N1377	HQ-2207A	45022TJ0M01
49930	0 986 BB0 786				N598	HQ-2279	7087505 - 7088138
	0 986 BB0 982				N367		94748947
46380	0 986 BB0 955	181651	842.20		N187	HQ-2263	3M512M008AC
		181915	1248.10				440603905R
	0 986 BB0 903	181942-202	1431.12			HQ-4070A	13301207
48240	0 986 BB0 960	181943	1432.02				13300867
		181709	1133.02				5810107A00
	0 986 BB0 783	181567	1030.01		N279	HQ-2208	425477
48080	0 986 BB0 952	181881	1281.01		N1465		AE822001A
		181851	1323.00				425426 - 1613259380
	0 986 BB0 983	181534-700	987.00				410608481R
		182031	1125.00				5U0698151B
38373						HQ-2185	5U0698151A
	0 986 BB0 979				N378		95231012
	0 986 BB0 799	181589	710.02		N1491		
	0 986 BB0 977						94770229
		141999	1449.01				410604386R
		142001	1439.01/11				440600264R
	0 986 BB0 988						044650D100
							7087742 - 7088535
	0 986 BB0 980	182073	1210.02		N1426		D10601HLOB
47700	0 986 BB0 888	182006	1468.02		N1447	HQ-2287A	04465-0K300 04465-0K240/0K260
46270		181828	1226.02		N1243	HQ-2269A	581012BA10
		181954	1274.02				583022MA00
40130	0 986 BB0 780	181645	746.02		N1233	HQ-2267A	583021FA50
46120	0 986 BB0 747	181784	1242.00		N1382	HQ-2271A	4605A198-MZ690356
		181821	1301.00				54200820
		181863	1305.00				54200720
							410605612R
							410600222R
	0 986 BB0 987	181501-703	727.00				71752988
46520	0 986 BB0 773	181798	1261.12		N371	HQ-2264A	19168899 - 96626069
46400	0 986 BB0 774	181799	1260.12		N372	HQ-2255A	96626076
		181543	747.12				45022TR0E01
		181910	1095.02				68029887AA
		181876	852.14				410603072R - 41060EG090
		181509	876.01/41				410601408R - D4060JA00A
		182129	1561.02				0446502390 - 0446502420

EQUIVALENCIAS / CROSS REFERENCES

Código	Plasbestos	Durbloc	Raybestos	FMSI	WVA/Jurid	Fras-le	Nakata
567		12967M	83567	D1566 8775	24609/ 24597/ 24598	PD/1359	
568		12968M	83568	D1302 8418		PD/1299	
569		12969M	83569	D1375 8486	24.332/333/334	PD/1457-B	
570		12970M	83570	D1348 8213		PD/1456	
571	22571	12971M	83571	D340 7234	20.961	PD/362	NKF1085P
D50	22042	12028	PGD50	D50		PD/19-C	NKF1012P
D52	22032	12001	PGD52	D52 7228A		PD/324	
D96	22033	12072	PGD96	D96	20.107	PD/17	NKF1017P
D149		12237	PGD149	D149 7081		PD/541	
D207		12238	PGD207	D207 7127	21.042		
D233		12239	PGD233	D233 7147	20.958	PD/75	
D242	22242	12242	PGD242	D242	20.870	PD/426	NKF1121P
D265		12265M	PGD265	D265 7170		PD/428	
D266	22266	12266	PGD266	D266 7282 - D441	21.119	PD/428	
D273		12241	PGD273	D273 7178	21.331	PD/386	
D289		12243	PGD289	D183 7070C		PD/540	
D303	22110	12510	PGD303	D303	21.158	PD/429	NKF1329P
D333	22380	12333M	PGD333	D333 7228	21.347/21.348	PD/427	NKF1164P
D340	22058A	12089AM	PGD340	D340 7335	20.961	PD/362	NKF1085P
D349		12349M	PGD349	D349 7241	21.373	PD/377	NKF1108P
D356		12244	PGD356	D356 7247	21.372	PD/426	
D363	22081	12093	PGD363	D363 7347	21.467/21.543	PD/357	
D368		12245	PGD368	D368 7259		PD/547	
D369		12369M	PGD369	D369 7259		PD/502	
D375		12246	PGD375	D375 7264		PD/579	NKF1012P
D383		12247	PGD383	D383 7272		PD/683	NKF1172P
D409		12248	PGD409	D409 7445	20.067		
D422		12422M	PGD422	D422 7307			
D428		12249	PGD428	D428 7317		PD/333	NKF1080P
D436		12436M	PGD436	D436 7298	21.676/79	PD/115	NKF1185P
D438		12250	PGD438	D438 7205			
D440		12251	PGD440	D440 7376	21.733/21.012	PD/382	NKF1169P
D477		12477M	PGD477	D477 / D712	21.577/21.822	PD/418	NKF1159P
D502		12502M	PGD502	D502 7298			
D507		12252	PGD507	D507 7386		PD/687	
D510	22379	12253	PGD510	D510 7389	21.657/23.004	PD/532 - PD/660	NKF1310P
D524		12254	PGD524	D524 7406		PD/504	
D535		12255	PGD535	D535 7417	21.650	PD/452	
D536		12714M	PGD536	D536	21.719	PD/690	NKF1304P
D537		12714M	PGD537	D537 7418		PD/554	
D555		12764M	PGD555	D555	20.676/20.678	PD/384-A	NKF1194P
D562		12259	PGD562	D562 7441	21.601	PD/387	NKF1184P

EQUIVALENCIAS / CROSS REFERENCES

Litton	Bosch	Icer	Remsa	Ferodo	Cobreq	Bendix	OE
		181911	1291.02				581014HA50
		181839	1288.02				583024HA50
		181923	1219.21				5N0698151
		181857	1342.00				3C0698451F
38251	0 986 BB0 290				N884	HQ-2168	
37781	0 986 BB0 257	181400	562.20/30	FDB1142A	N109	HQ-2012	D6TZ2001D
37431		181415	510.00				12510032-83501356
37351	0 986 BB0 255	180219	017.30	FDB410	N204	HQ-2017	ZBA695151F
							15662716-52004567
		180353	133.00/10				
		180409	149.00				
39680		180462	167.04				449132251
40370		140526					
40370		140518	184.00/01				
	0 986 BB0 095	180609	182.02				45022SA6505
38780	0 986 BB0 158	140614	197.10/20			HQ-2061	
40490	0 986 BB0 157	140885	236.02			HQ-2225A	41060VJ490
38251	0 986 BB0 290	180789-700	263.10	FDB419	N884	HQ-2085 HQ-2168	357698151A 7701209735 425056
38510	0 986 BB0 088	140701	275.02	FDB409	N826	HQ-2124A	
		181004	268.04				449132251
38280		140854	238.14	FDB678			
		141401	548.02				18012226
		141563	552.02/32				18045905-4874866
	0 986 BB0 257	141175	549.00/562.00		N109	HQ-2012	
		141192	566.02/12				Mr569780 - MR129537 MZ690166
		180704	237.02				
		181300	317.12/22				
39630	0 986 BB0 057				N886	HQ-2080A	
38800	0 986 BB0 732	141007	315.04	FDB797	N844	HQ-2126A	044465YZZAF 0449135190 04465-YZZ56
	0 986 BB0 092	180616	224.00	FDB173	N1201		5810132A00
38990	0 986 BB0 120	140968	467.00/20	FDB929	N1400	HQ-2152	04883344AD
		141026	429.04				
		180878	344.00/10				21012856
		180882	364.02			HQ-2090A	4106050Y94 4106062C90 4773575
40080	0 986 BB0 207	180875	357.00				MB699464 - MR389507
	0 986 BB0 560	180798	325.02/22	FDB1679	N1372	HQ-2214A	43022SCVA00 43022SY8A01
		180798	325.02/22				
38751	0 986 BB0 320	180808	390.02		N269		
39690	0 986 BB0 096	181210	402.42		N841	HQ-2105A	449133011

EQUIVALENCIAS / CROSS REFERENCES

Código	Plasbestos	Durbloc	Raybestos	FMSI	WVA/Jurid	Fras-le	Nakata
D601		12260	PGD601	D601 7479	23.637	PD/389	
D606		12261	PGD606	D606 7487		PD/695	NKF1240P
D611		12611M	PGD611	D611 7298		PD/115	NKF1185P
D617		12262	PGD617	D617 7493		PD/782	
D623		12263	PGD623	D623 7384		PD/697 PD/609	
D637		12264	PGD637	D637 7463	21.755	PD/610	
D648		12240	PGD648	D648 7528	21.394/21.396	PD/352	NKF1109P
D649		12267	PGD649	D649	20.640/20.753	PD/24 PD/34	NKF1003P NKF1046P
D652	22115	12515M	PGD652	D652	23.472	PD/332	NKF1058P
D666		12666M	PGD666	D666 7502 A	23.627	PD/410 - PD/556	NKF1160P
D679		12268M	PGD679	D679 7558	24.757/758/759	PD/137	
D680		12680M	PGD680	D680 7559	23.314	PD/432	NKF1179P
D688		12269	PGD688	D688 7563		PD/42	
D700		12270	PGD700	D700 7329	21.561/21.725	PD/706	NKF1290P
D704		12127	PGD704	D704	21.945	PD/413	
D726	22486	12886M	83486	D726	23.663	PD/110	NKF1068P
D741		12271	PGD741	D741 7611		PD/712	
D745		12707	PGD745	D745	21.395/21.638	PD/352-A	NKF1199P
D756	22114	12514M	PGD756	D756		PD/62	NKF1063P
D768	22363	12763M	PGD768	D768	21.974/23.131/23.187	PD/58-B	NKF1136P
D784		12273	PGD784	D784 7652		PD/571	
D785		12274	PGD785	D785 7653		PD/572	
D790		12290M	PGD790	D790 7660	23.631/23.336	PD/620	
D791		12291M	PGD791	D791 7661	23.339	PD/573	NKF1218P
D797	22514	12914	83514	D797 / D1035	23.234	PD/475	
D815		12215M	PGD815	D815 7783	24.280/24.281	PD/727-28	NKF1243P
D816	22369	12769M	PGD816	D816	23.152/ 153 /154	PD/442	NKF1135P
D817		12217M	PGD817	D817 7691	23.526/23.864	PD/788	
D823		12223M	PGD823	D823 7696	23.521/23.522		
D824		12275	PGD824	D824 7625		PD/62	NKF1063P
D881		12276	PGD881	D881 7758		PD/736	
D882		12277	PGD882	D882 7759		PD/737	
D886	22370	12770M	PGD886	D886	23.353	PD/480	NKF1141P
D924		12224M	PGD924	D924 7825	23.891/92/93	PD/635	NKF1223P NKF1224P
D965		12225M	PGD965	D965 7864		PD/637	
D976	22500	12900M	83500	D976 7877	24.024/24.025/24.026	PD/528	NKF1239P
D981		12278	PGD981	D981 7863		PD/588	

EQUIVALENCIAS / CROSS REFERENCES

Litton	Bosch	Icer	Remsa	Ferodo	Cobreq	Bendix	OE
	0 986 BB0 098	181506	453.00			HQ-2191	F4DZ2001A - F4DZ2001B YF1Z2001AA
	0 986 BB0 973	141027	413.00		N1449		446660090 449260020
38800	0 986 BB0 732	141025	429.14		N844	HQ-2126A	04465YZZAF 45022S04V00
							18024933 - 12510043 18024923
		180971	415.04				F42Z2001B
39390	0 986 BB0 084	180916	432.00/10	FDB884	N147	HQ-2064	F5RZ2001A
37680	0 986 BB0 260	180329	119.00/15	FDB206	N115/N128	HQ-2003	86AU2K021BA 542698151
38610	0 986 BB0 703	141228	571.02		N140	HQ-2058	F57Z2001AA
39571	0 986 BB0 561-0150	181409	617.12		N1409		2L2Z2200BA
39010		141402	626.02			HQ-2195A	F65Z2001AA F85Z2001AA
39040	0 986 BB0 160	181319	594.02		N1303		5520077E00
38310	0 986 BB0 266	180858	393.20			HQ-2038	93311068
		180877	318.12		N1211	HQ-2149A	581012DA70
38570	0 986 BB0 478	181156-700	631.00/80				
39050	0 986 BB0 731	181410	688.00/10		N341	HQ-2113	93277697-93277698
		181408	652.00				94858664 - 0446502010
39391	0 986 BB0 143	180917	432.02/12	FDB766	N149	HQ-2064A	97GB2K021AB
38470	0 986 BB0 278				N146	HQ-2103	F81Z2001EA
39152	0 986 BB0 136	181349	633.21/31		N254	HQ-2107A	1J0698151F-1K0698151D 88964201 - 19133306
						HQ-2256A	88909671 - 18048101
39860		181398	736.02/12				05018592AA
39850	0 986 BB0 569	181339	570.02		N1418		05011970AB
39600	0 986 BB0 221	181260	645.12/32		N1223		96446742 - 96253383
	F 03B 050 041	181882	293.11				D1060EM30A
38970	0 986 BB0 162	181264	691.00		N161	HQ-2136	3S4Z2001AA YS4Z2001AA
		181704	742.00				044652B010
		181607	741.02				0446620090 0446652010
38470	0 986 BB0 278				N146	HQ-2103	BF0T2001AA F81Z2001EA 3L2Z2200BA 88982932
	0 986 BB0 169	181265-700	693.00		N163	HQ-2175	98AB2M008BA
40140	0 986 BB0 594	181644	953.02/12		N1231	HQ-2216A	581013KA01 58101-3KA40
	0 986 BB0 616					HQ-2197A	68002228AA
44980	0 986 BB0 327	181665	988.00		N1375	HQ-2227A	044650K280 05191823AA

EQUIVALENCIAS / CROSS REFERENCES							
Código	Plasbestos	Durbloc	Raybestos	FMSI	WVA/Jurid	Fras-le	Nakata
D1012		12279	PGD1012	D1012 7916		PD/591	
D1035	22514	12914	PGD1035C	D1035 7779	23.234	PD/475	
D1080		12280M	PGD1080	D1080 7985	24.251	PD/807	
D1083		12287	PGD1083	D1083 7915 / D1011 791		PD/590	
D1089		12289M	PGD1089	D1089	24.342	PD/809	
D1092		12281	PGD1092	D1092 7997		PD/594	
D1107		12227M	PGD1107	D1107 8212	23.587/588/589	PD/1000-B	NKF1282P
D1108		12228M	PGD1108	D1108 8213	23.914	PD/1030	NKF1283P
D1158		12282	PGD1158	D1158 8268		PD/1023	
D1169		12283	PGD1169	D1169 8410		PD/1024	
D1188		12236M	PGD1188	D1188 8307	24.346	PD/1077	
D1194		12284	PGD1194	D1194 8312		PD/731	
D1210		12226M	PGD1210	D1210 8330	24.336	PD/740	
D1264	22560	12960M	83560	D1264 8381	24.510/511/512	PD/711	NKF1276P
D1268		12229M	PGD1268	D1268	29.200	PD/661	
D1273		12230M	PGD1273	D1273	24.604/605/821	PD/1026	
D1274		12231M	PGD1274	D1274 8390		PD/1082	
D1275	22561	12961M	83561	D1275 8391	24.498/499/500	PD/715	NKF1277P
D1318		12232M	PGD1318	D1318 8432	29.217	PD/664	
D1345		12285	PGD1345	D1345 8456		PD/672	NKF1285P
D1354		12233M	PGD1354	D1354 8463	24.610/611/612	PD/1320	
D1411		12286	PGD1411	D1411 8523			
D1456		12234M	PGD1456	D1456 8656	24.563	PD/1465	
D1676		12235M	PGD1676	D1676 8905	25.632/633/634	PD/1434	NKF1357P

EQUIVALENCIAS / CROSS REFERENCES

Litton	Bosch	Icer	Remsa	Ferodo	Cobreq	Bendix	OE
							4L322200AB-6L32200CD
39600	0 986 BB0 221	181260	645.12/32		N1223		96253383
		181713	1173.02				05080868AA
							4L3Z2001AD - 5L3Z2001A
46360	F 03B 050 136	181811	1171.12			HQ-2266A	45022-SHJ-A50
							89059119
44750	0 986 BB0 783	181567	1030.01		N279	HQ-2208A	1K0615116L 1K0698151 8J0698151C
45030	0 986 BB0 939	181600-703	1031.00	FDB1636		HQ-2209	3C0698451D
		181747	1225.02				5520065J00
		182139					15792633
		181760	1232.00				446502220
46520	0 986 BB0 773	181798	1261.12		N371	HQ-2264A	19168899
		141785	1243.00				A0054205320
	F 03B 050 191	181908	1259.02		N735		68029263AA
		181909	1264.02				68003776AA
46400	0 986 BB0 774	181799	1260.12		N372	HQ-2255A	96626076
		141849	1247.00				A0054207420 28
46110	0 986 BB0 961	182074	1293.02		N1277	HQ-2273A	41060AX085
		181899	1286.02				446602190 - 0446652141
		181967	1420.00				5K0-698-451
		182109	1524.02				AB31-2L361-AB



Plasbestos Orgánica:

Formulación Orgánica de alta calidad.
Sin ruido.
Rápido asentamiento.
Buena estabilidad del coeficiente de fricción con la temperatura.
Confort (sensación en el pedal)



Raybestos Semi Metálica:

Excelente performance de frenado.
Sin ruido.
Muy buena estabilidad del coeficiente de fricción con la temperatura.
Muy buen confort (sensación en el pedal)
Larga duración.



Raybestos Cerámica:


Producto Premium.
Totalmente exenta de ruido.
Excelente estabilidad del coeficiente de fricción con la temperatura.
Superior confort (menor vibración)
Alta durabilidad.
No genera suciedad en las Ruedas.

Las pastillas para freno Plasbestos / Raybestos cumplen con las especificaciones y requerimientos de equipo original, y además están equipadas con una exclusiva LAMINA ANTI-RUIDO desarrollada especialmente para absorber las vibraciones que se producen en el momento del acercamiento de la misma al disco, mejorando el confort de manejo y de los pasajeros del vehículo.

Entregado por:



Asistencia Técnica y Garantía

 0 800 444 3262